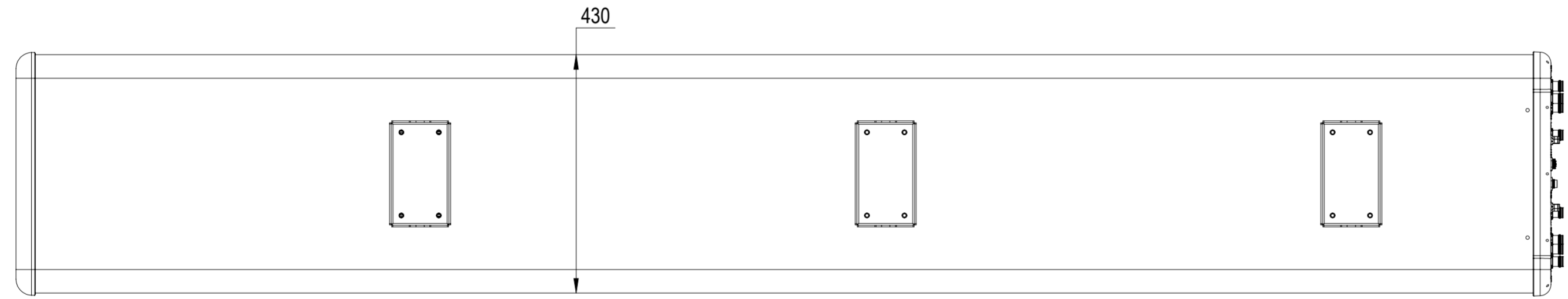
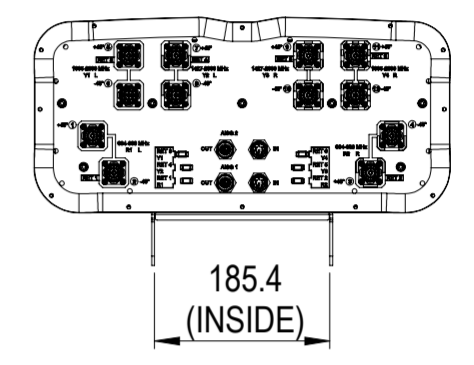
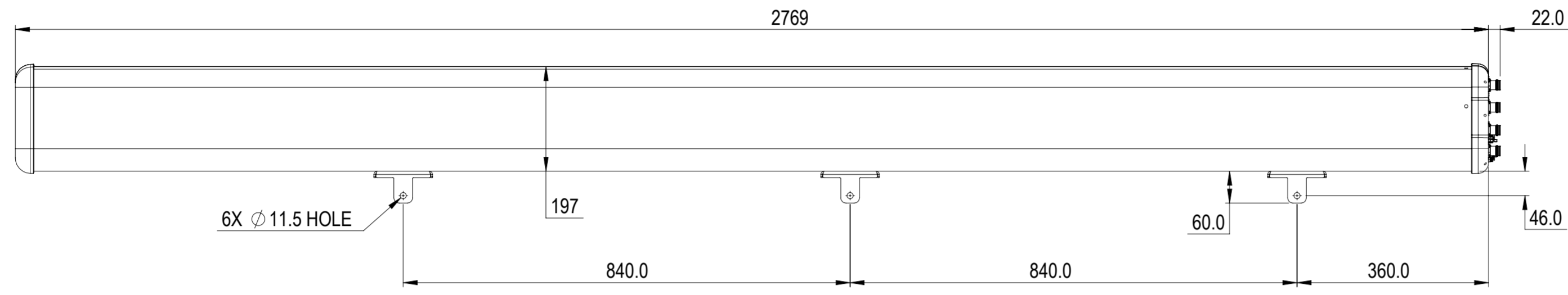


REVISIONS			
REV.	DESCRIPTION	DATE	APPROVED
A			



RRZZVV-65D-R6NV3

COMMSCOPE, INC. OF NORTH CAROLINA

TOLERANCES		SAP MATERIAL MASTER	
0 PLACE X ±	2 PLACE .XX ±		
1 PLACE .X ±	ANGLES ±		
FINISH		MATERIAL	
<small>UNLESS OTHERWISE SPECIFIED DIMENSIONS ARE IN MILLIMETERS INTERPRET PER ISO STANDARDS HANDBOOK TECHNICAL DRAWINGS VOLUMES 1 & 2, THIRD EDITION (2002)</small>		NAME	DATE
		CE	
		RW	
		AD	
		RE	
ECN		TITLE	
SCALE		DOCUMENT NO.	
1:8		RRZZVV-65D-R6NV3	
SIZE	Auth Group	MODEL	
A2		VERSION	STATUS
		REVISION	
		DRAWING	
		VERSION	STATUS
		REVISION	SHEET
			1 OF 1

DENSITY	g/mm ³
MASS	grams
VOLUME	mm ³
SURFACE AREA	mm ²
HEIGHT	
LENGTH	
WIDTH	