

4

3

2

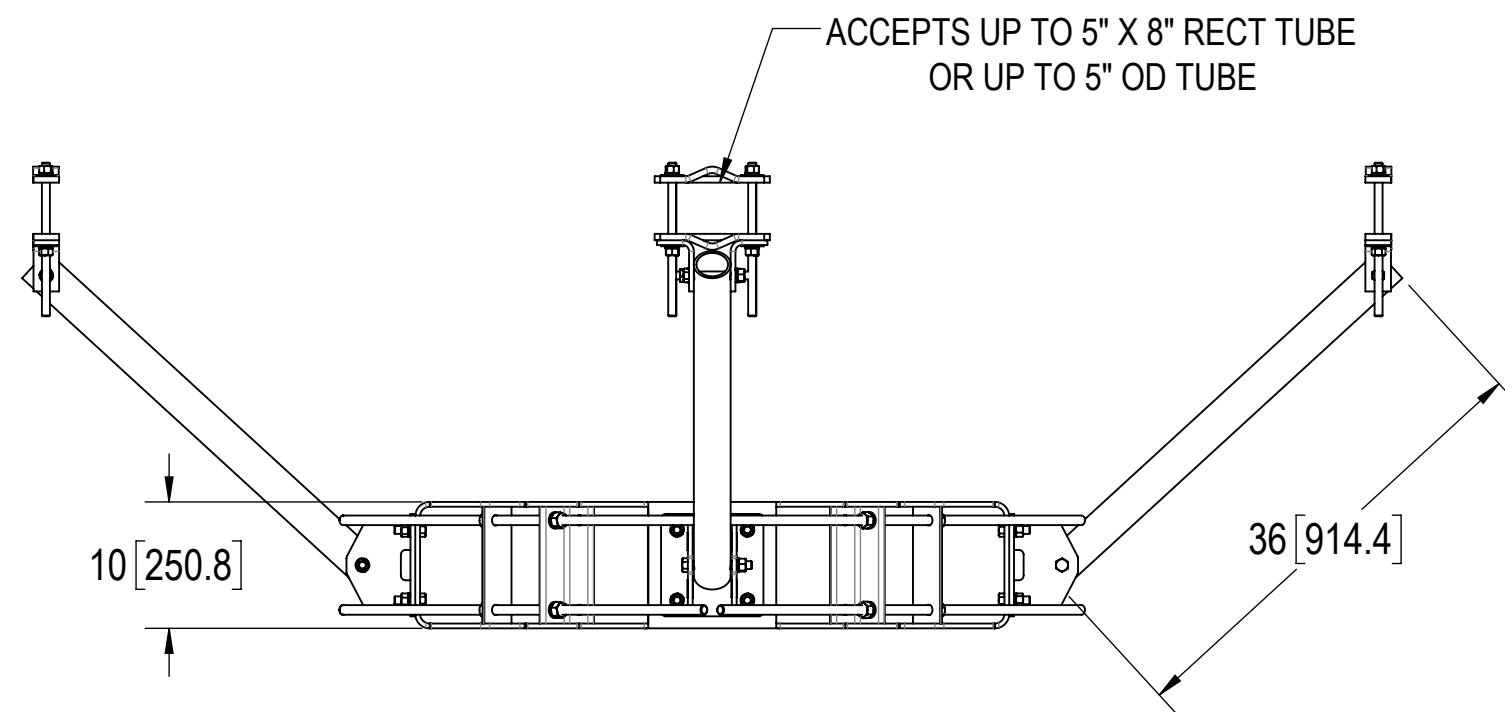
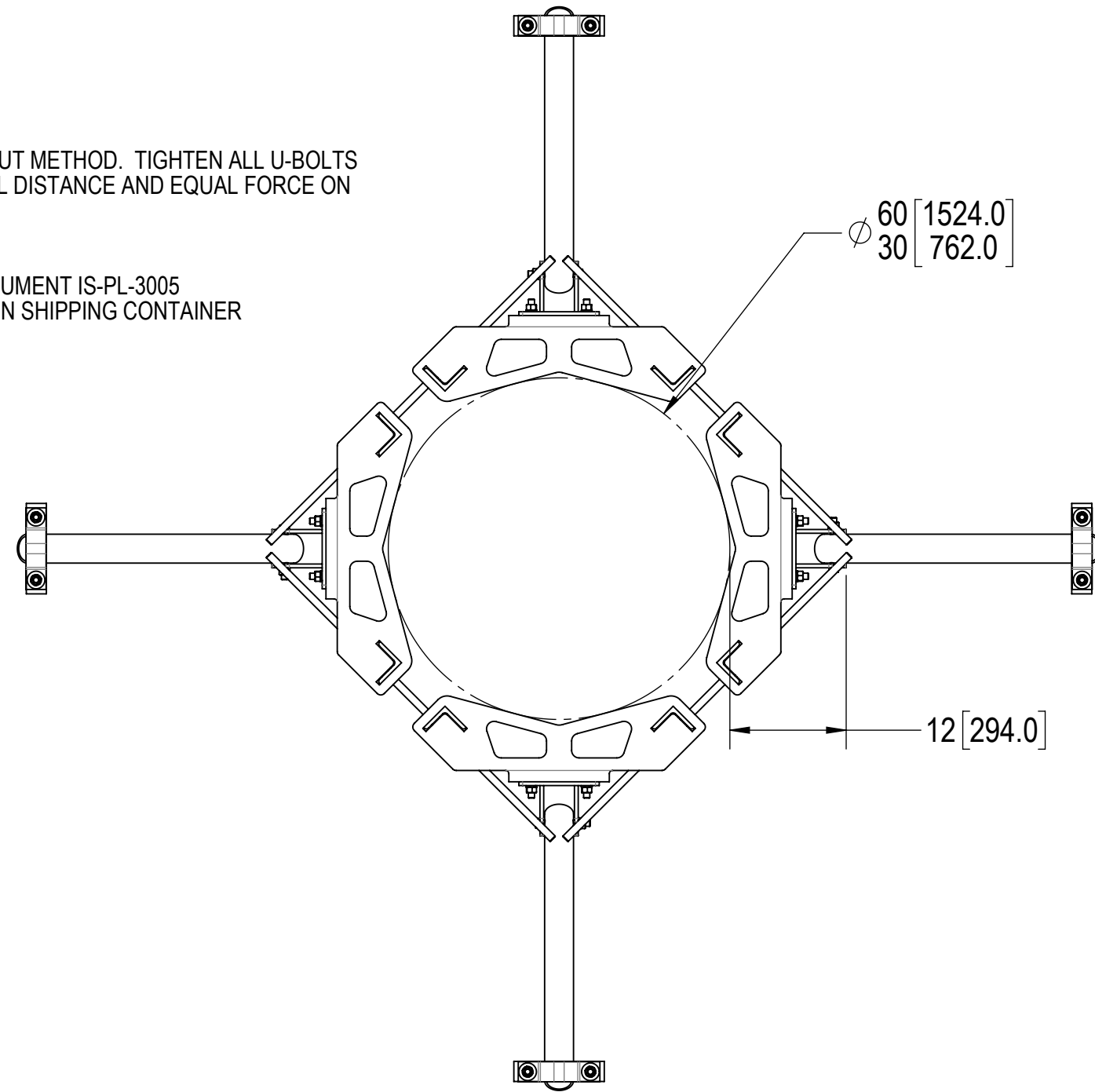
1

- 1.0 GENERAL NOTES
- 1.1 ALL METRIC DIMENSIONS ARE IN BRACKETS [X.X]
- 1.2 FOR PATENT INFO: <https://www.cs-pat.com>

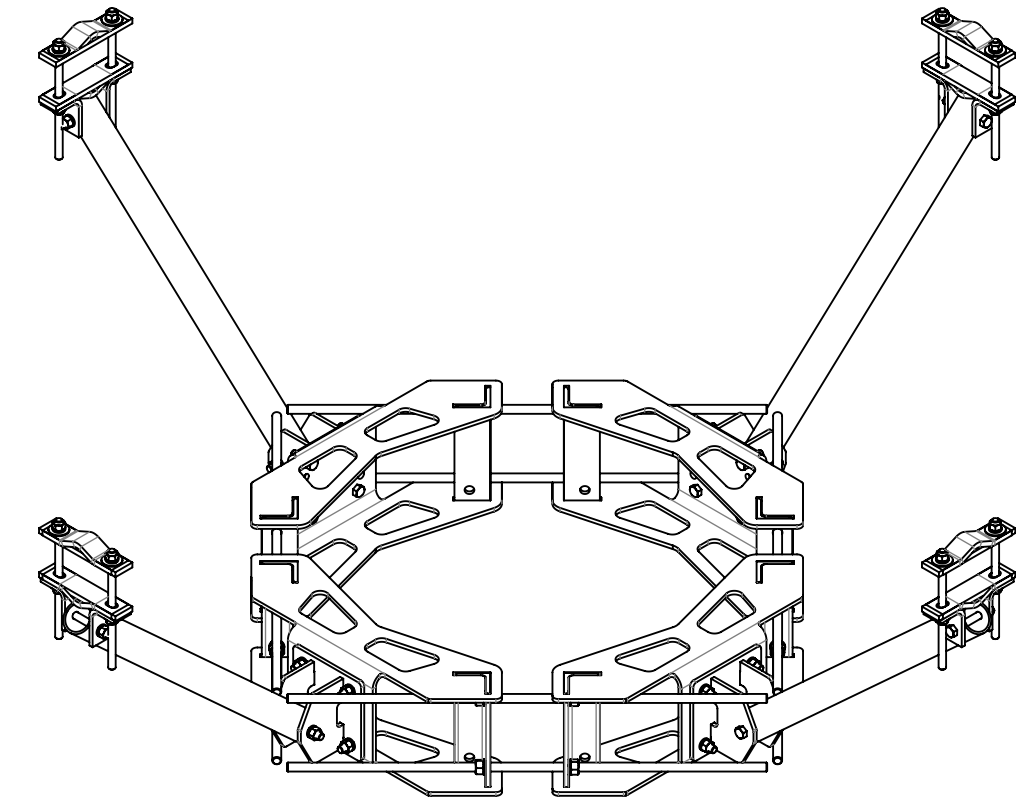
- 2.0 DESIGN NOTES
- 2.1 ANY HAZARDS OR OBSTRUCTIONS TO THE CLIMBING FACILITY AND SAFETY CLIMB MUST BE IDENTIFIED PRIOR TO INSTALLING THE APPURTENANCE. ADDITIONAL PRODUCTS MAY BE REQUIRED TO MAINTAIN THE INTEGRITY OF THE SAFETY CLIMB. DURING INSTALLATION, TEMPORARY AND/OR PERMANENT PRECAUTIONARY MEASURES SHOULD BE TAKEN TO PRESERVE THE CLIMBING FACILITY AND/OR SAFETY CLIMB.
- 2.2 FITS MONOPOLES 30"- 60" OD.
- 2.3 USE DCP10 FOR ROUND TUBE STAND-OFF ARM.
- 2.4 USE MTC323704 FOR RECTANGLE TUBE STAND-OFF ARM.
- 2.5 CUT THREADED RODS AS NEEDED FOR PROPER LENGTH.

- 3.0 MANUFACTURING/SPECIAL REQUIREMENTS
- 3.1 TIGHTEN ALL BOLTS SECURING FLAT PLATES BY THE TURN-OF-NUT METHOD. TIGHTEN ALL U-BOLTS USING TURN-OF-NUT METHOD WITH ATTENTION TO LEAVE EQUAL DISTANCE AND EQUAL FORCE ON EACH LEG OF THE U-BOLT.

- 4.0 TEST
- 5.0 PACKAGING
- 5.1 PACKAGING SHALL MEET COMMScope REQUIREMENTS PER DOCUMENT IS-PL-3005
- 5.2 PRINTED DOCUMENT TO BE PLACED INSIDE POLYBAG AND THEN IN SHIPPING CONTAINER
- 5.3 EXTRA HARDWARE MAY BE SUPPLIED, BAGGED AND SHIPPED



REVISIONS			
REV.	DESCRIPTION	DATE	APPROVED
A	INITIAL RELEASE	MSM 20OCT14	TP 8000005392
B	REPLACED CRATE AND GALV BOLT WITH GB0550A	QDL 7SEP17	TP 8000026067
C	MT-381 WAS MT-381-8	YMENG 12APR24	CB1094 40193236CMO



COMMScope, INC. OF NORTH CAROLINA										
TOLERANCES					SAP MATERIAL MASTER					
1 PLACE .X[X] ± .12[3.0]			3 PLACE .XXX[X] ± .030[0.8]		RK-36-4L					
2 PLACE .XX[X] ± .06[1.5]			ANGLES ± 2°							
FINISH					MATERIAL					
UNLESS OTHERWISE SPECIFIED DIMENSIONS ARE IN INCHES INTERPRET PER ANSI Y 14.5M-1994	NAME	DATE	TITLE							
	CE MSM	20OCT14	KICKER SUPPORT, 30-60 MP, 4-SEC, 3' ARM							
	RW YMENG	04/16/2024								
	AD CB1094	04/17/2024								
	RE YMENG	04/24/2024								
ECN 40193236CMO			SCALE	DOCUMENT NO.						
			1:24	RK-36-4L						
SIZE	Auth Group	INSL	MODEL			DRAWING				SHEET
C			VERSION	STATUS	REVISION	VERSION	STATUS	REVISION	1 OF 2	
			01	RE	C	01	RE	C		

DENSITY		lbs/in ³
MASS	419.05	lbs
VOLUME	2276.41	in ³
SURFACE AREA	13450.46	in ²
HEIGHT		
LENGTH		
WIDTH		

4

3

2

1

4

3

2

1

D

D

C

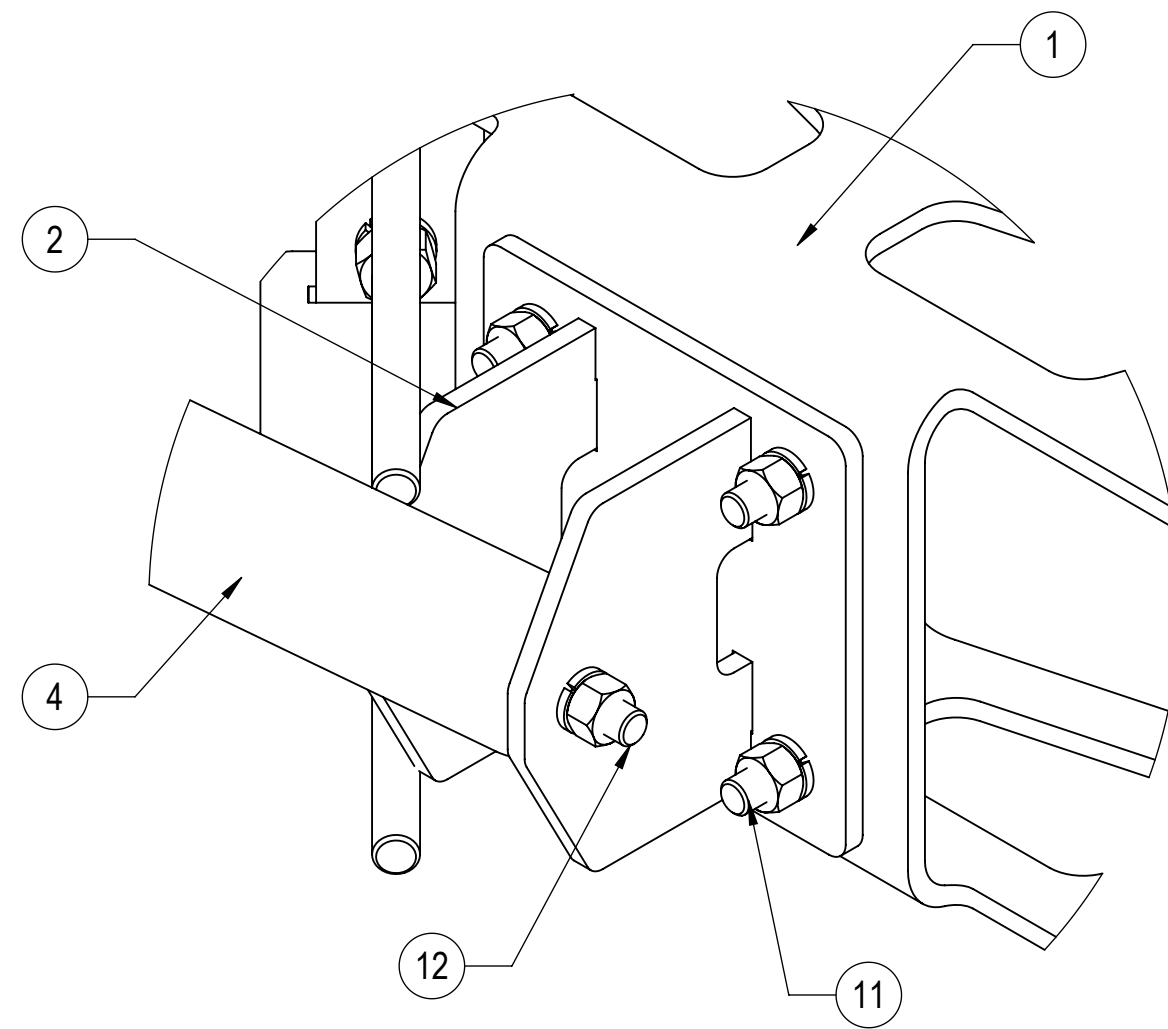
C

B

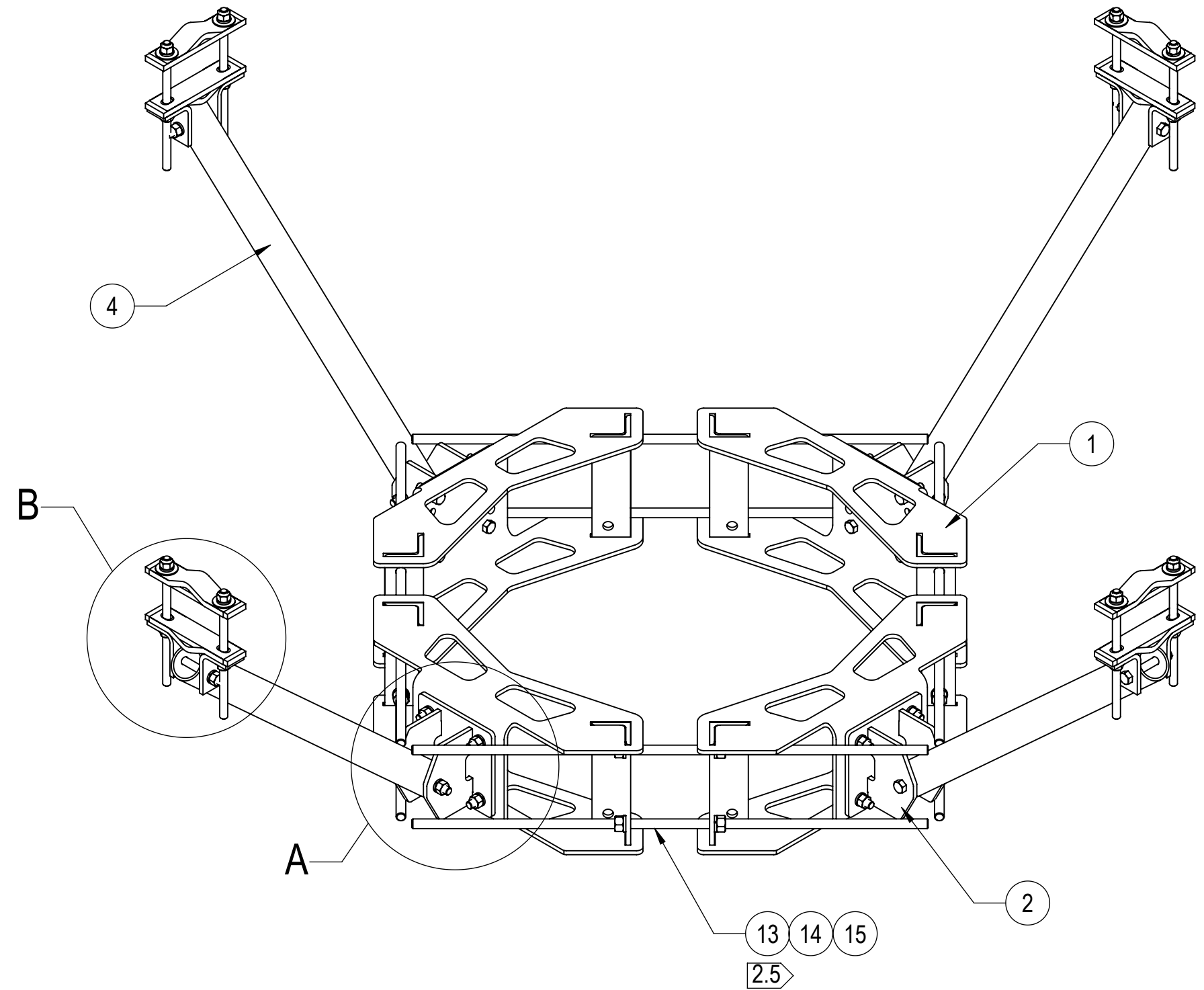
B

A

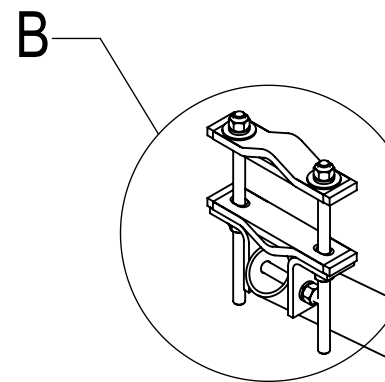
A



DETAIL A
SCALE 1 : 3



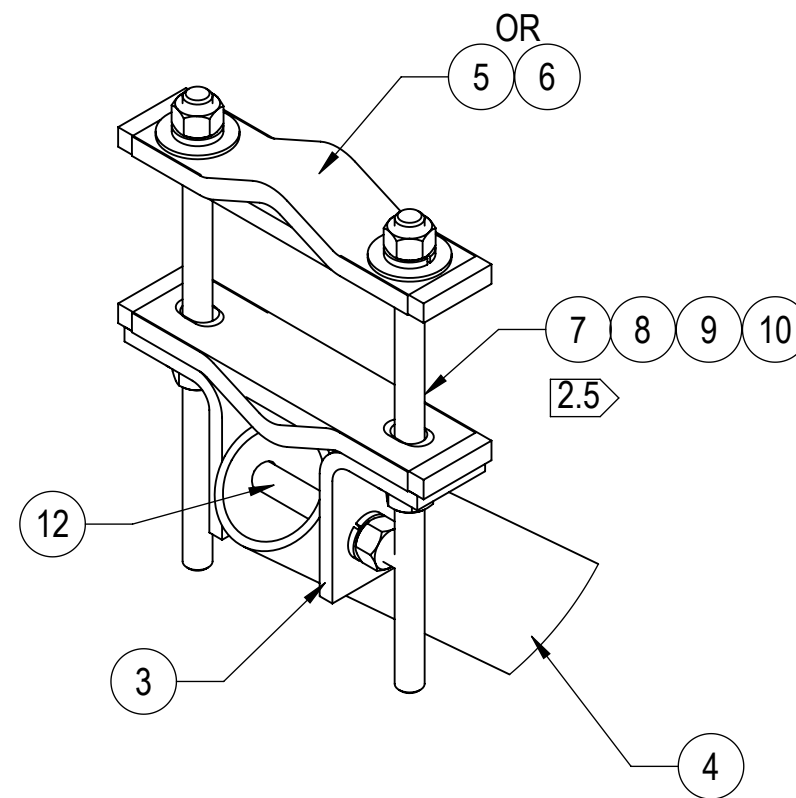
A



DETAIL B
SCALE 1 : 4

COMPONENT PART NUMBERS PROVIDED FOR ASSEMBLY PURPOSES;
INDIVIDUAL COMPONENTS MAY BE SHIPPED AS PARTS WITHIN AN INCLUDED KIT.

ITEM	PART NO.	DESCRIPTION	QTY.	WEIGHT	NOTE NO.
1	MTC30653060401	3060 4 SECTOR RINGMOUNT WELDMENT	4	47.27 LBS	
2	RK01	KICKER STANDOFF WELDMENT	4	12.54 LBS	
3	RK02	CONNECTION BRACKET	8	1.21 LBS	
4	RK36	KICKER ARM SUPPORT TUBE , 36"	4	17.20 LBS	
5	DCP10	CLAMP HALF:1/2", 11/16" HOLE,5-3/4"	8	2.21 LBS	2.3
6	MTC323704	CLAMP BAR	8	2.37 LBS	2.4
7	MT-381	5/8" X 12" GALV THREADED ROD	8	1.04 LBS	2.5
8	GWF-05	5/8" GALV FLAT WASHER, 1.7OD	16	0.06 LBS	
9	GWL-05	5/8" GALV LOCK WASHER	16	0.03 LBS	
10	GN-05	5/8" GALV HEX NUT	16	0.08 LBS	
11	GB-0520A	5/8" X 2" GALV BOLT KIT (A325)	16	0.26 LBS	
12	GB-0550A	5/8" X 5" GALV BOLT KIT (A325)	8	0.52 LBS	
13	MT38440	3/4" X 40" GALV THREADED ROD GRADE B7	8	4.98 LBS	2.5
14	GWL-06	3/4" GALV LOCK WASHER	16	0.04 LBS	
15	GN-06	3/4" GALV HEX NUT	16	0.15 LBS	



COMMSCOPE, INC. OF NORTH CAROLINA				
TITLE KICKER SUPPORT, 30-60 MP, 4-SEC, 3' ARM				
SIZE C	SCALE 1:16	DOCUMENT NO. RK-36-4L		
DRAWING		VERSION	STATUS	REVISION
SHEET 2 OF 2		01	RE	C