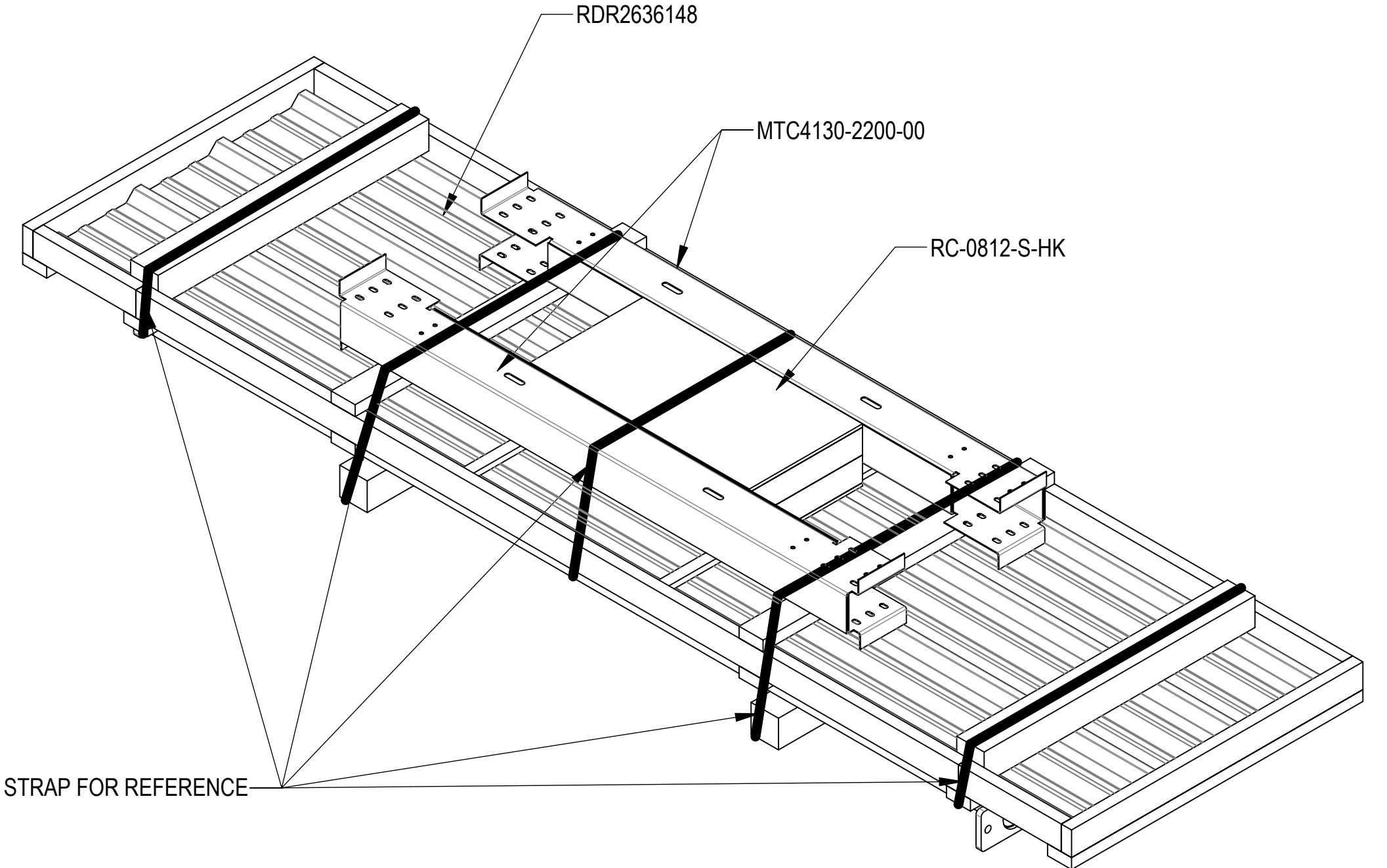
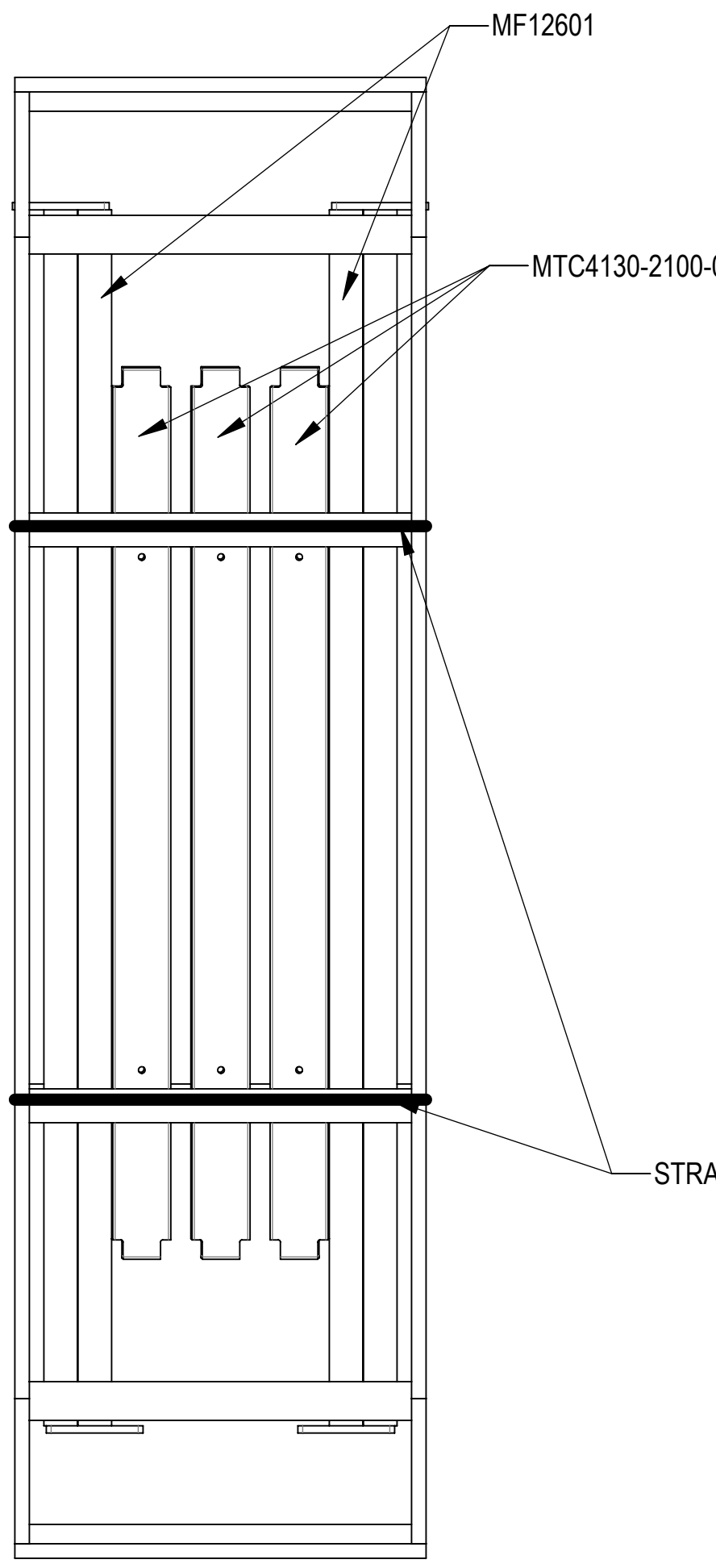


- 1.0 GENERAL NOTES
  - 1.1 ALL METRIC DIMENSIONS ARE IN BRACKETS [X. X]
  - 1.2 FOR PATENT INFO: <https://www.cs-pat.com>
- 2.0 DESIGN NOTES
  - 2.1 ANY HAZARDS OR OBSTRUCTIONS TO THE CLIMBING FACILITY AND SAFETY CLIMB MUST BE IDENTIFIED PRIOR TO INSTALLING THE APPURTENANCE. ADDITIONAL PRODUCTS MAY BE REQUIRED TO MAINTAIN THE INTEGRITY OF THE SAFETY CLIMB. DURING INSTALLATION, TEMPORARY AND/OR PERMANENT PRECAUTIONARY MEASURES SHOULD BE TAKEN TO PRESERVE THE CLIMBING FACILITY AND/OR SAFETY CLIMB.
- 3.0 MANUFACTURING/SPECIAL REQUIREMENTS
  - 3.1 TIGHTEN ALL BOLTS SECURING FLAT PLATES BY THE TURN-OF-NUT METHOD. TIGHTEN ALL U-BOLTS USING TURN-OF-NUT METHOD WITH ATTENTION TO LEAVE EQUAL DISTANCE AND EQUAL FORCE ON EACH LEG OF THE U-BOLT.
- 4.0 TEST
- 5.0 PACKAGING
  - 5.1 PACKAGING SHALL MEET COMMSCOPE REQUIREMENTS PER DOCUMENT IS-PL-3005
  - 5.2 PRINTED DOCUMENT TO BE PLACED INSIDE POLYBAG AND THEN IN SHIPPING CONTAINER
  - 5.3 EXTRA HARDWARE MAY BE SUPPLIED, BAGGED AND SHIPPED

REVISIONS			
REV.	DESCRIPTION	DATE	APPROVED
A	INITIAL RELEASE	JL1183 08FEB24	CB1094 40188658CMO
B	MF12601 WAS MF28001	YMENG 22MAR24	YW1047 40191840CMO



<b>COMMSCOPE, INC. OF NORTH CAROLINA</b>												
TOLERANCES						SAP MATERIAL MASTER						
1 PLACE .X ± 0.2[6.3]		3 PLACE .XXX ± 0.060[1.5]		<b>RC-0812-S</b>								
2 PLACE .XX ± 0.12[3.0]		ANGLES ± 2°										
FINISH						MATERIAL						
						<b>8'0X12' RAIN CANOPY, 10'-6"-BASE SHOE</b>						
<b>RC-0812-S</b>												
			SCALE			DOCUMENT NO.						
			<b>1:20</b>									
<b>ECN 40191840CMO</b>												
UNLESS OTHERWISE SPECIFIED DIMENSIONS ARE IN INCHES INTERPRET PER ANSI Y 14.5M-1994												
		NAME		DATE		TITLE						
		CE JL1183		08FEB24								
		RW YMENG		03/29/2024								
		AD YW1047		03/29/2024								
		RE YMENG		04/15/2024								
		ECN 40191840CMO										
DENSITY			lbs/in³									
MASS			928.07									
VOLUME			10305.92									
SURFACE AREA			89576.59									
HEIGHT			172.9"									
LENGTH			149.8"									
WIDTH			106.0"									
<b>C</b>		Auth Group		INSL		MODEL			DRAWING			SHEET
						VERSION			VERSION			1 OF 5
						01			01			
						RE			RE			
						B			B			

4

3

2

1

D

D

C

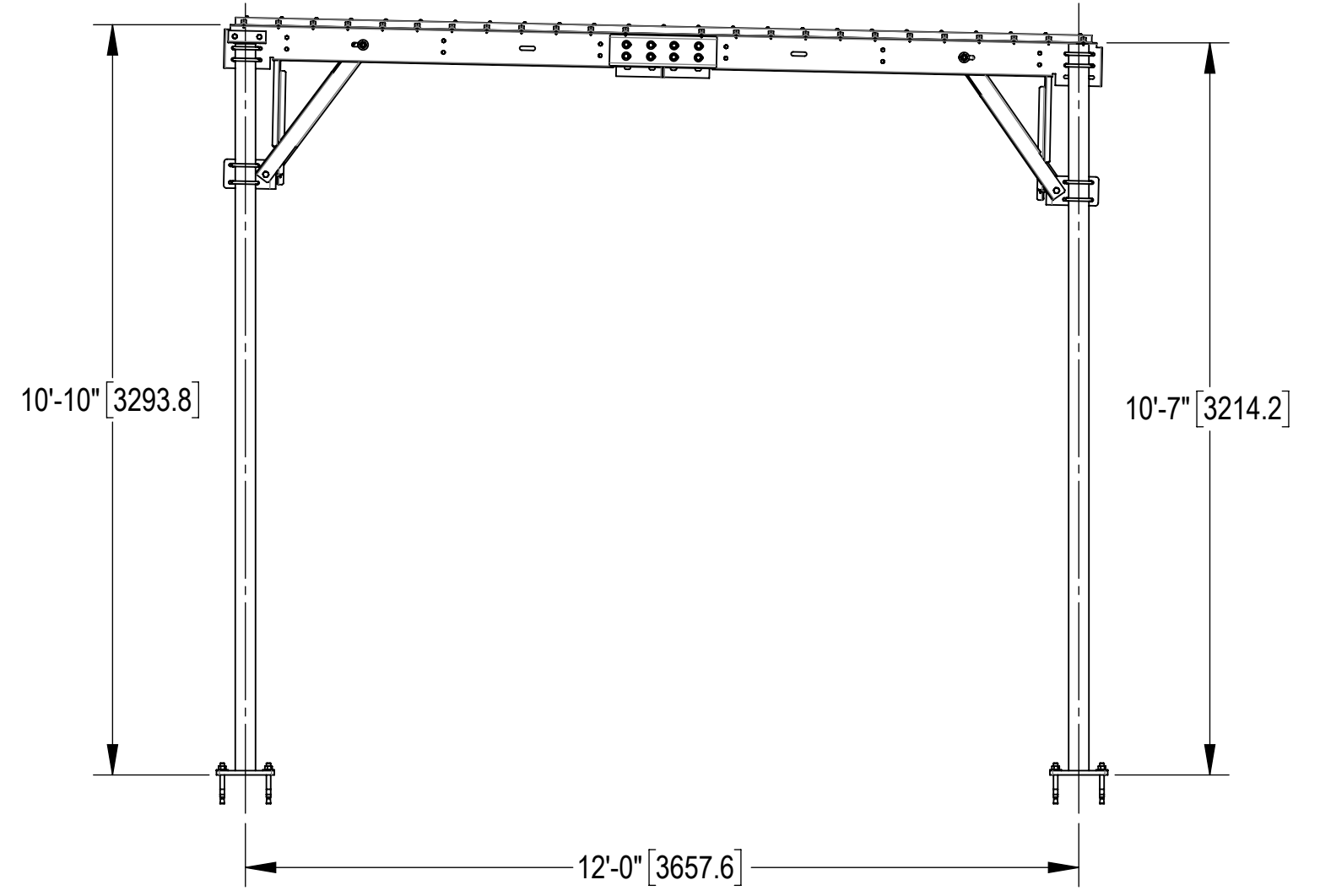
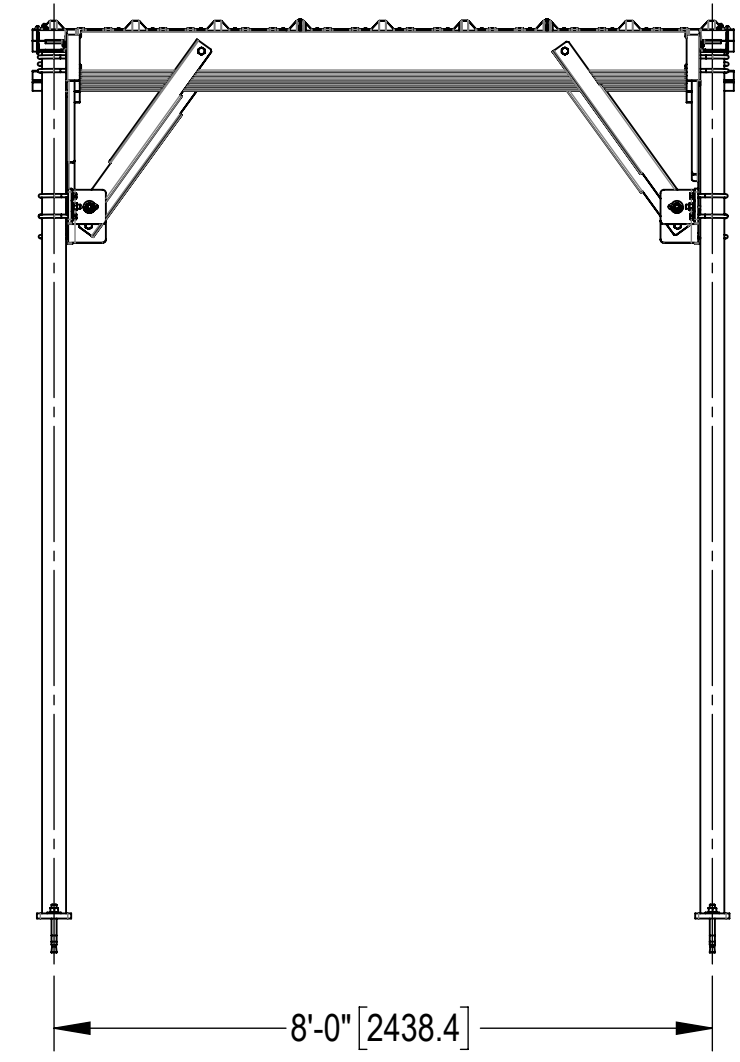
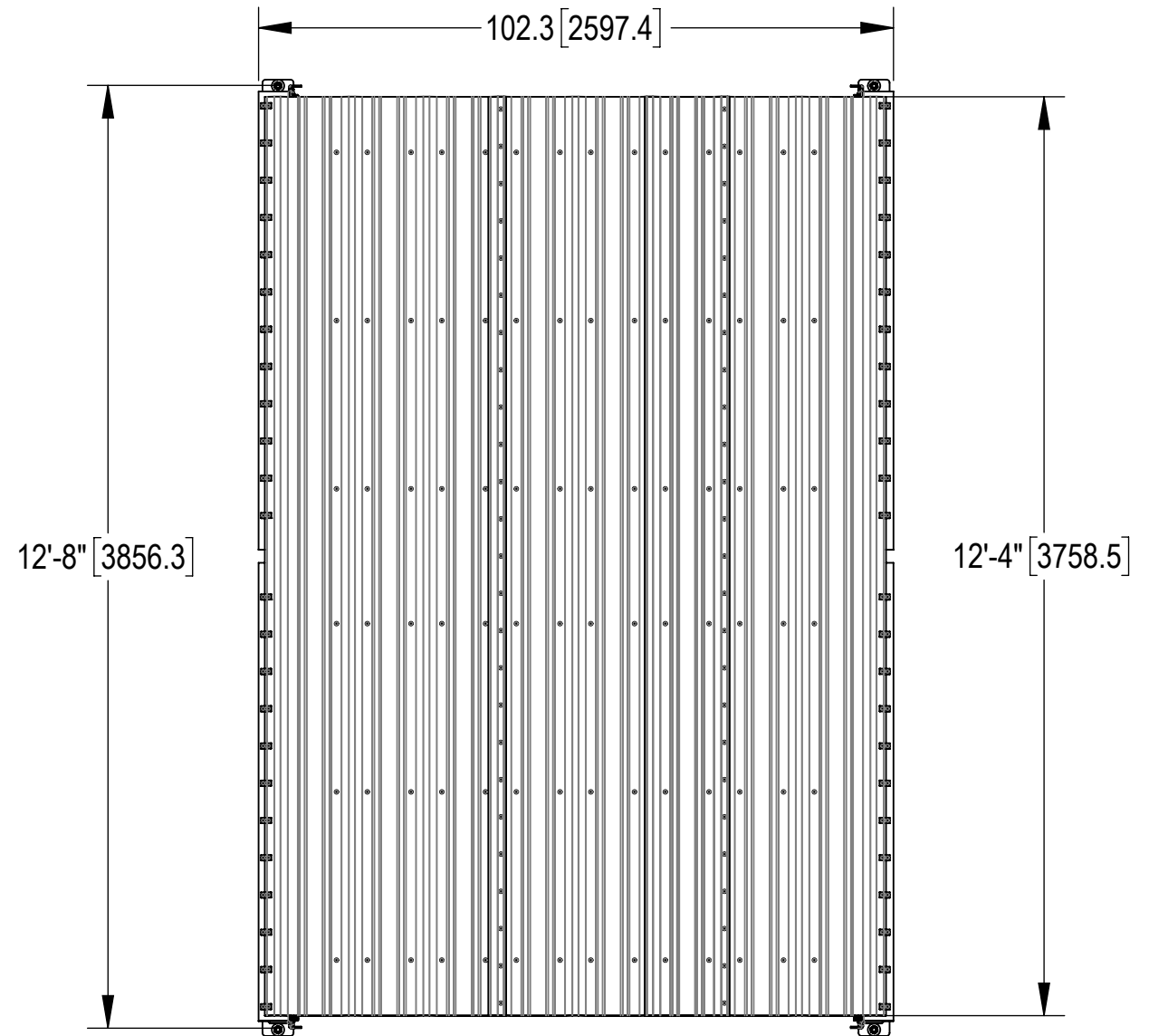
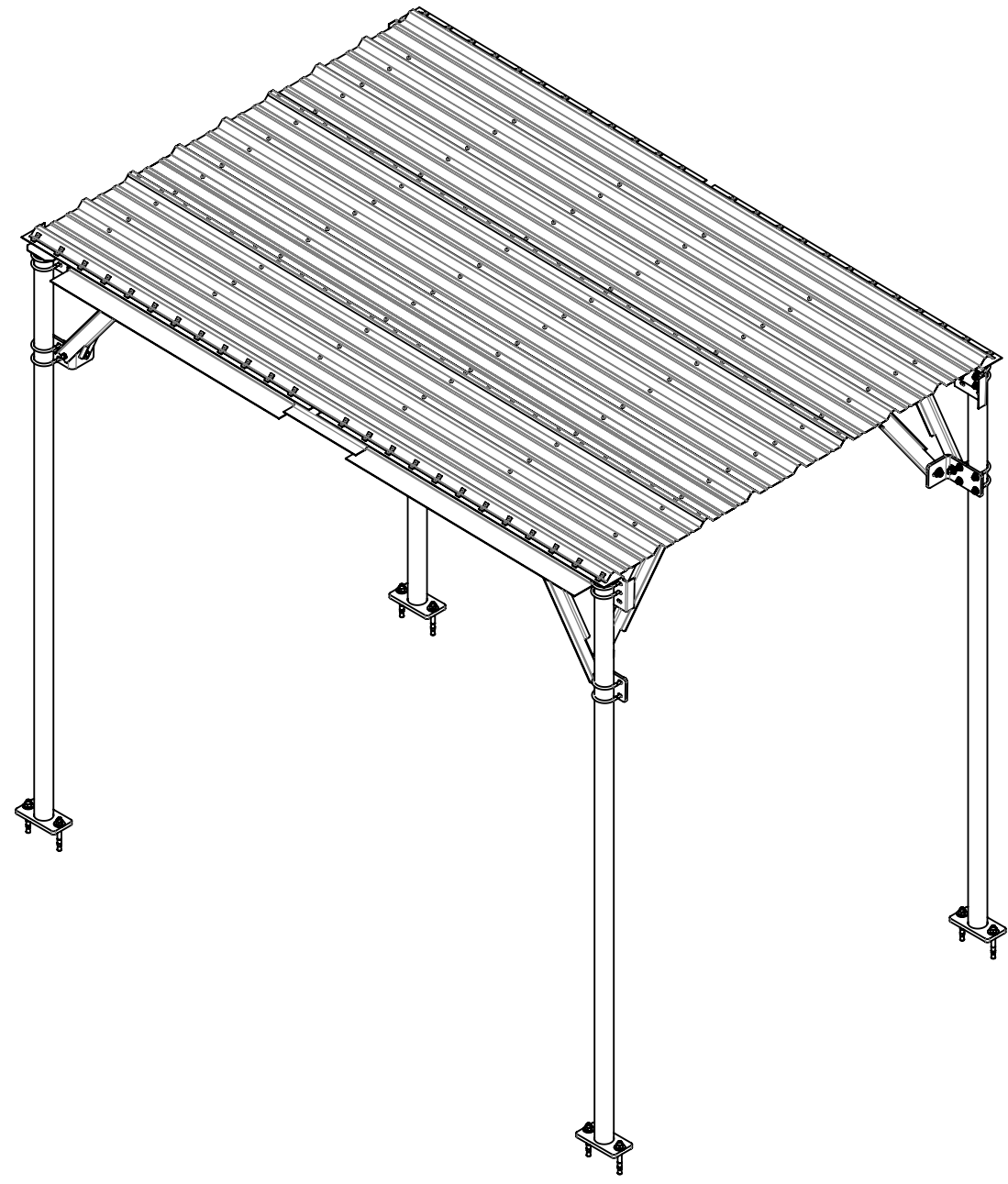
C

B

B

A

A



COMPONENT PART NUMBERS PROVIDED FOR ASSEMBLY PURPOSES;  
INDIVIDUAL COMPONENTS MAY BE SHIPPED AS PARTS WITHIN AN INCLUDED KIT.

ITEM	PART NO.	DESCRIPTION	QTY.	WEIGHT	NOTE NO.
1	MF12601	BASE SHOE WELDMENT, 10' 6"	4	53.81 LBS	
2	MTC4130-2200-00	OUTER CHANNEL, ROOF SUPPORT	4	38.33 LBS	
3	MTC4130-2100-00	CANOPY CENTER CHANNEL	6	29.72 LBS	
4	RDR2636148	ROOF DECKING PBR 26 GA 36" X 148"	3	43.72 LBS	
5	MTC4130-3000-00	CANOPY BRACE	8	6.52 LBS	
6	MTC4130-4000-00	CANOPY BRACE ADAPTER	4	9.16 LBS	
7	MTC4130-5000-00	PLATE, 7" x 5"	4	2.76 LBS	
8	MTC4130-6000-00	HEIGHT ADJUSTMENT BRACKET	2	1.26 LBS	
9	MTC4130-9000-00	OUTER CONNECTION CHANNEL	2	6.71 LBS	
10	GUB-4355	1/2" X 3-5/8" X 5" GALV U-BOLT	16	0.71 LBS	
11	GB-04145	1/2" X 1-1/2" GALV BOLT KIT	20	0.13 LBS	
12	GB-03105	3/8" X 1" GALV BOLT KIT	24	0.05 LBS	
13	GB-05205FT	5/8" X 2" GALV BOLT KIT	16	0.26 LBS	
14	GWF-04	1/2" GALV FLAT WASHER	36	0.04 LBS	
15	GWF-05	5/8" GALV FLAT WASHER, 1.7OD	12	0.06 LBS	
16	MTC3799C26	CLIP, RDR PANEL	48	0.05 LBS	
17	MTC371531	1/4-14X7/8 SELF DRILLING HEX HEAD SCREW	98	0.02 LBS	
18	TS1275	TEK SCREW #12 X 3/4, WITH NEOPRENE WASHER	132	0.02 LBS	
19	MT-287	3/4" ANCHOR BOLT	8	1.08 LBS	

COMMScope, INC. OF NORTH CAROLINA				
TITLE 08'X12' RAIN CANOPY, 10'-6"-BASE SHOE				
SIZE <b>C</b>	SCALE <b>1:32</b>	DOCUMENT NO. <b>RC-0812-S</b>		
		DRAWING		SHEET 2 OF 5
		VERSION 01	STATUS RE	

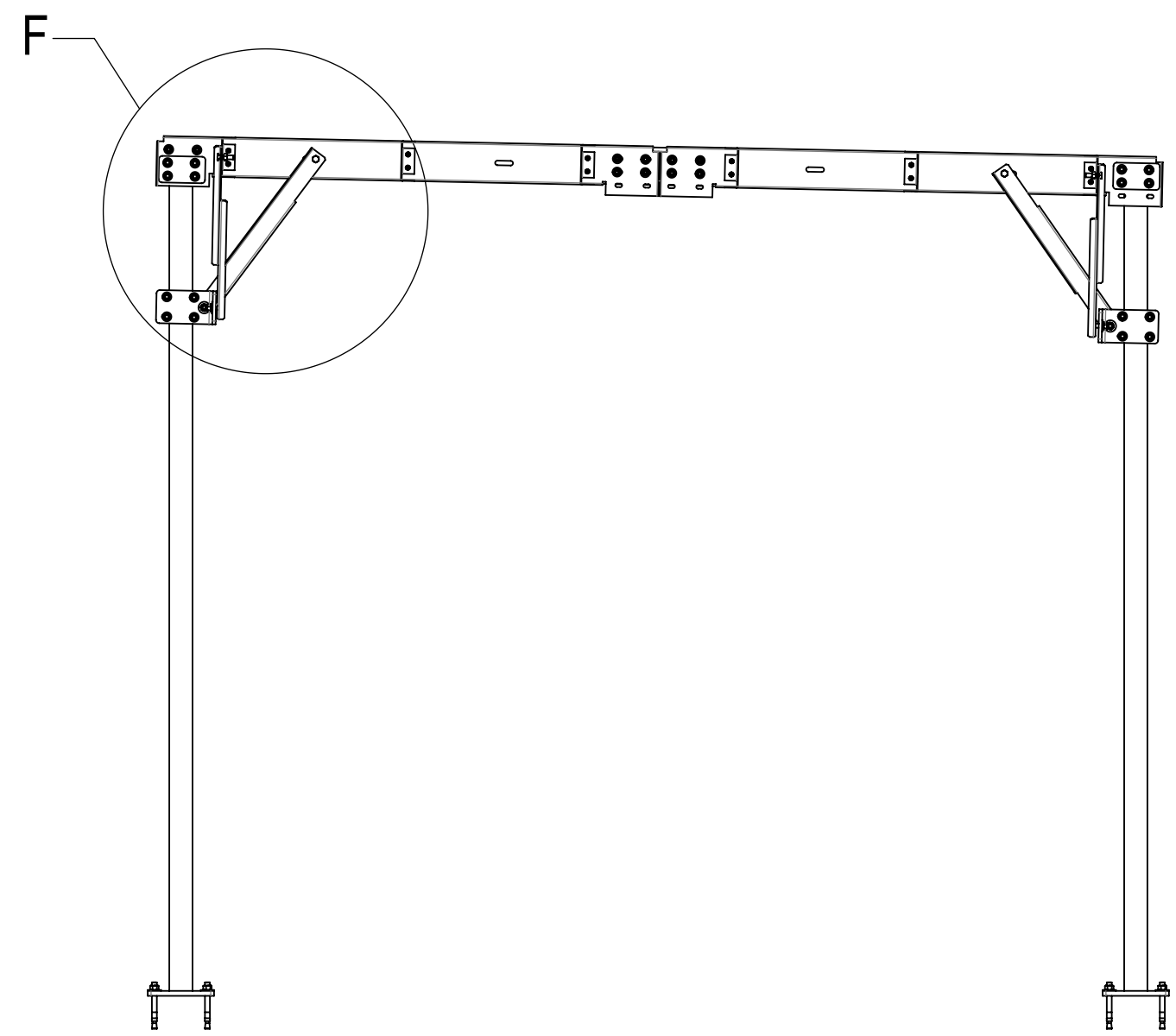
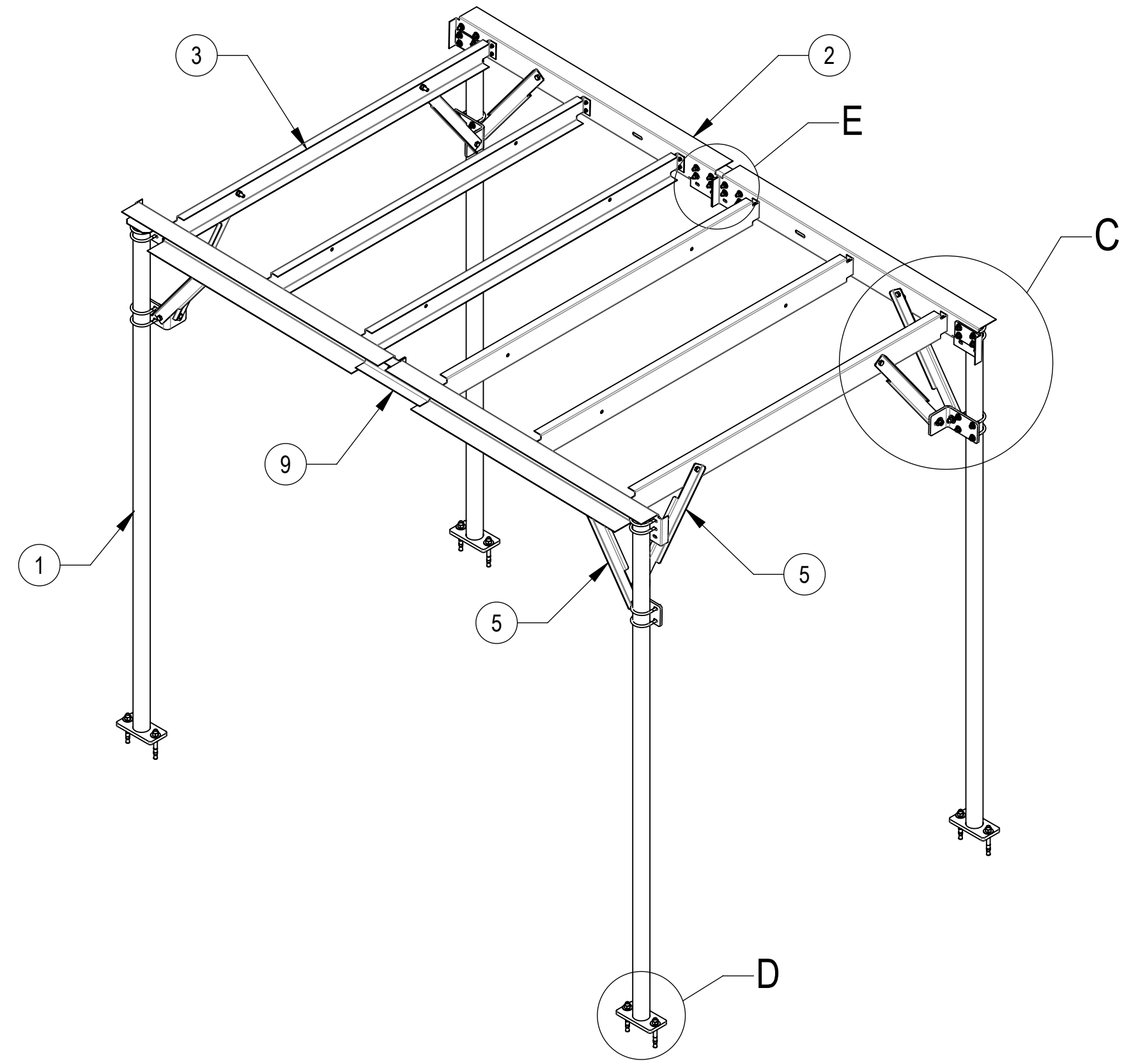
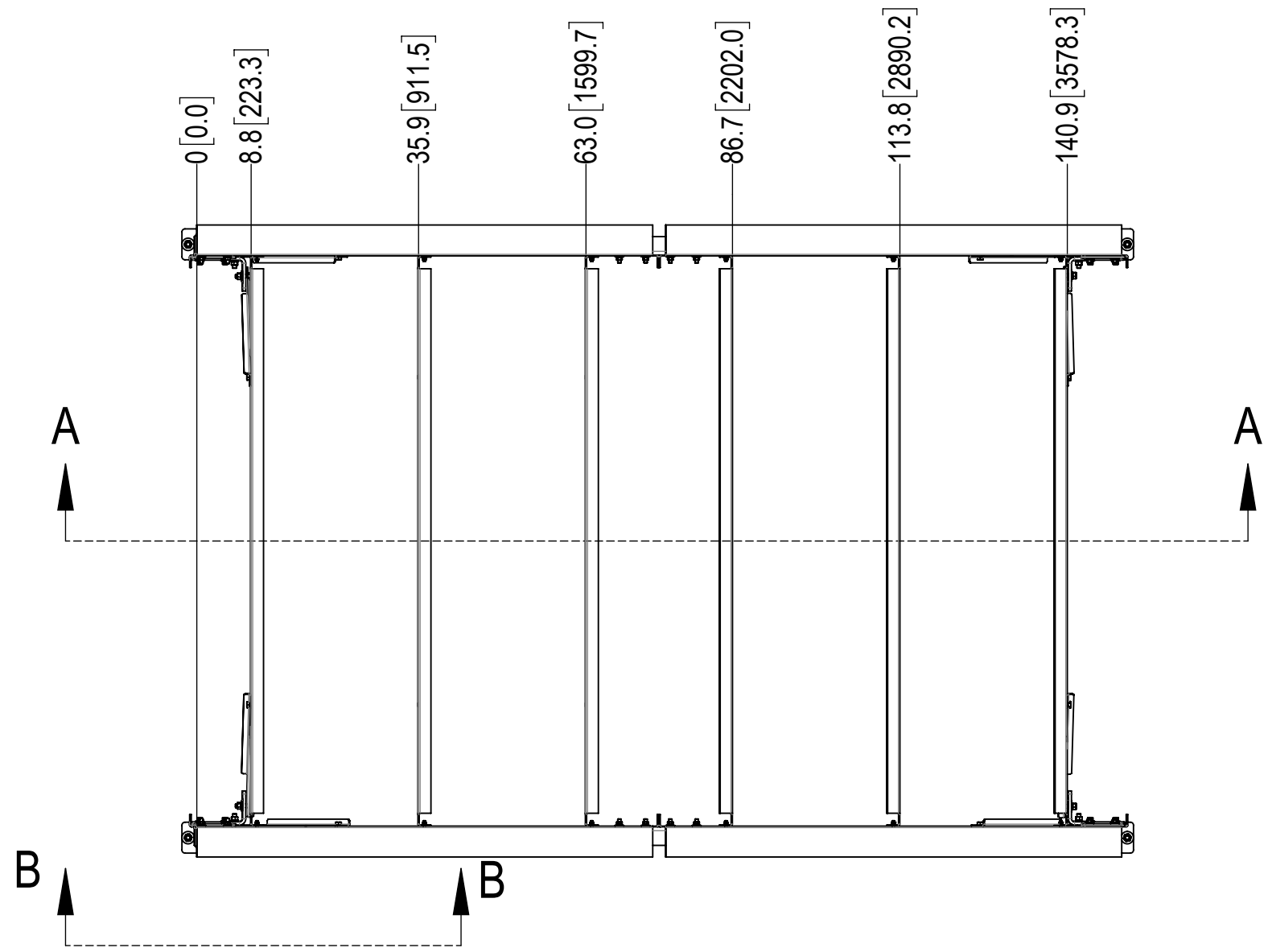
© 2024 CommScope, Inc. Confidential

4

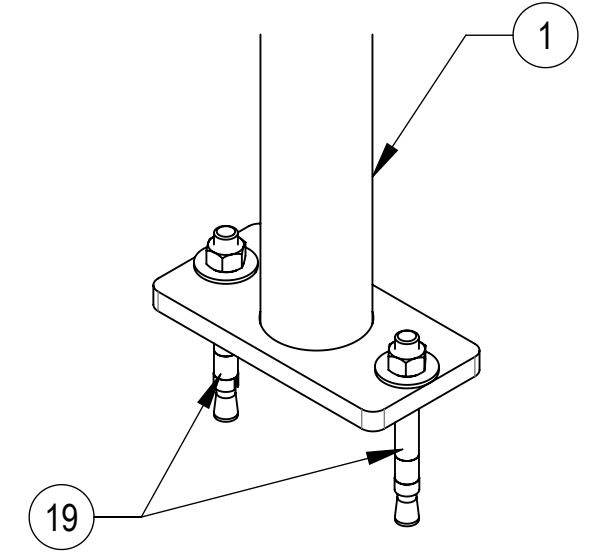
3

2

1

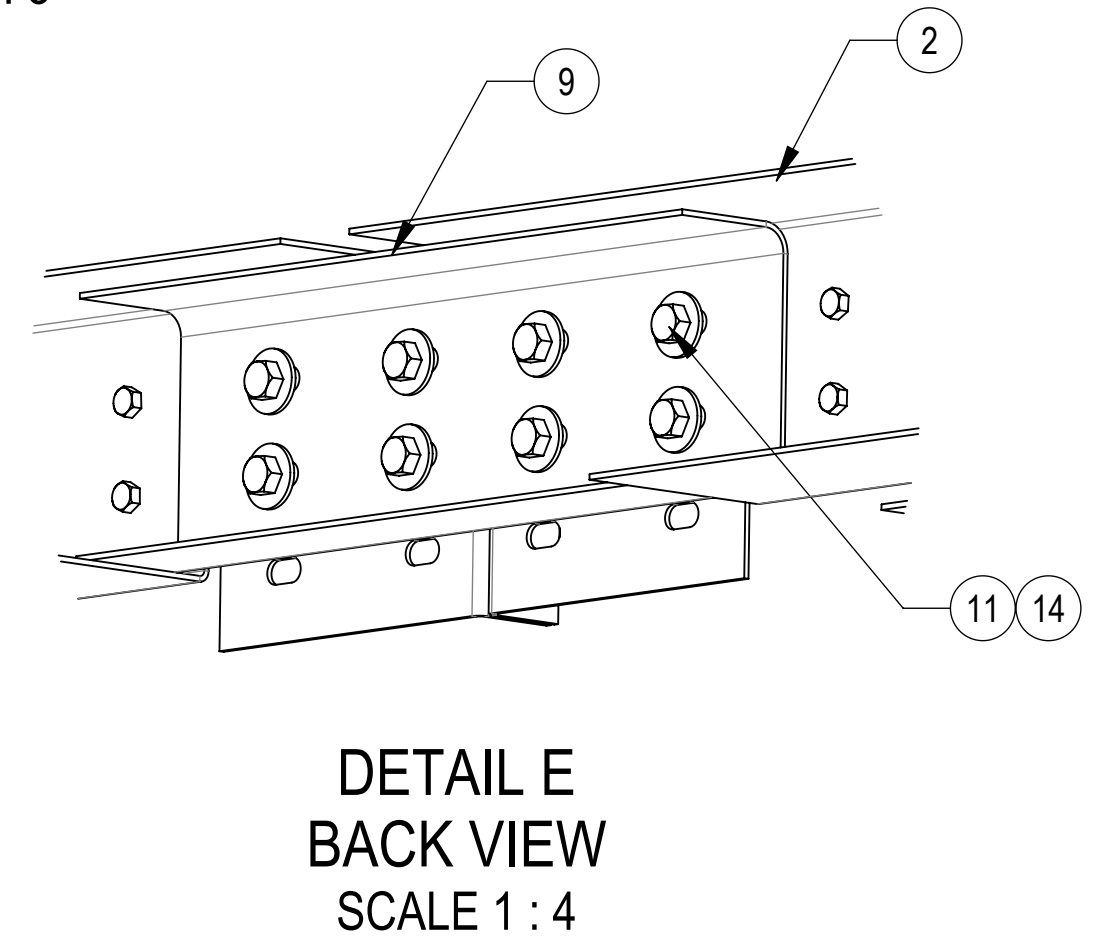
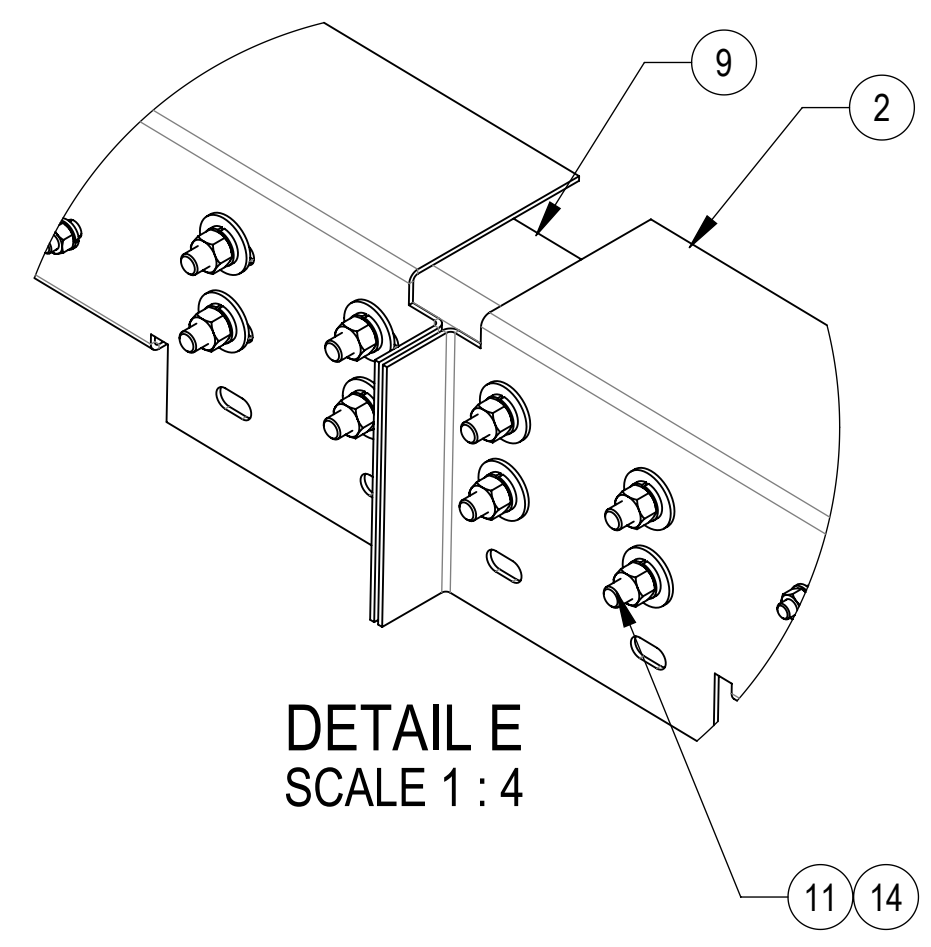
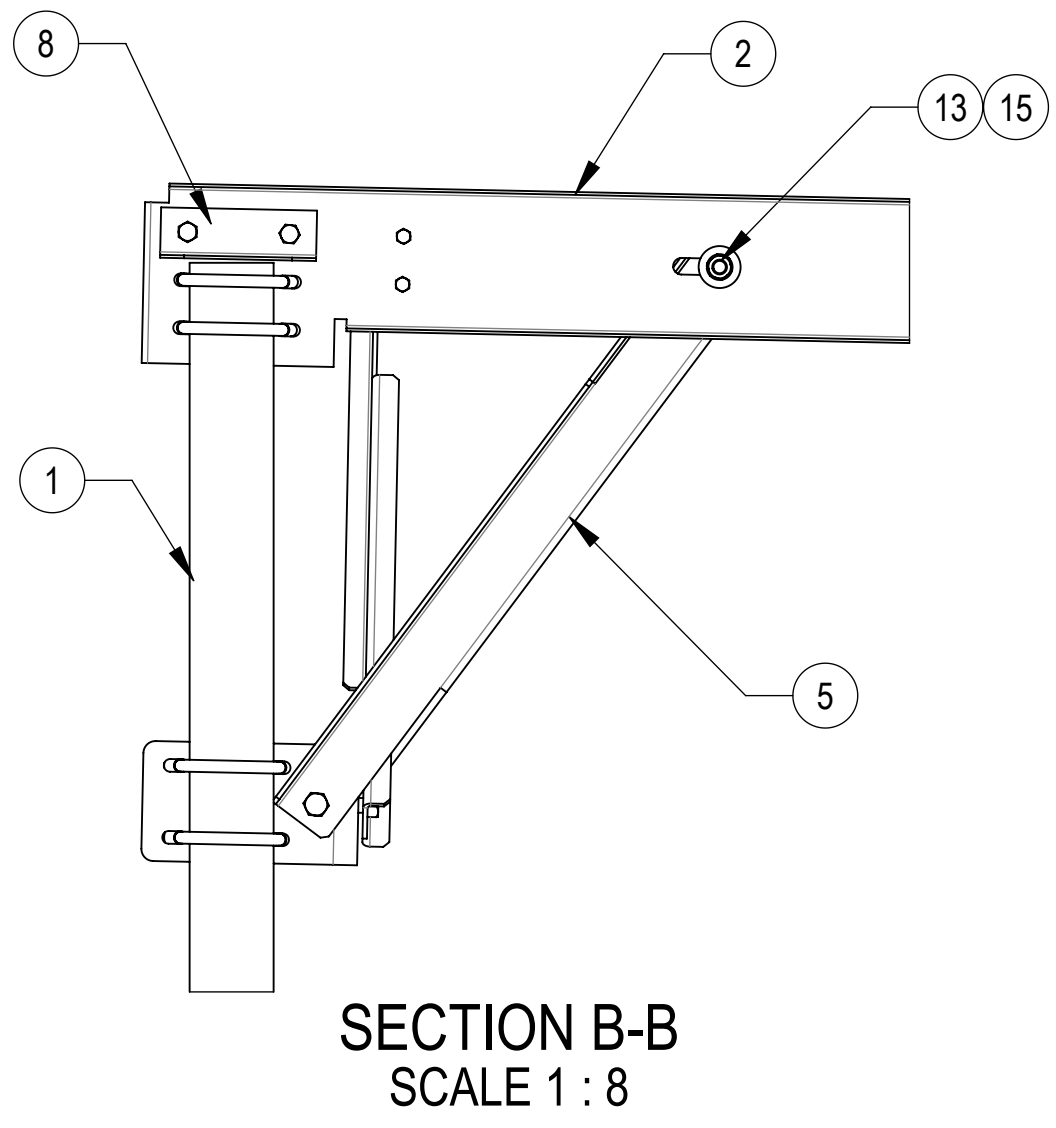
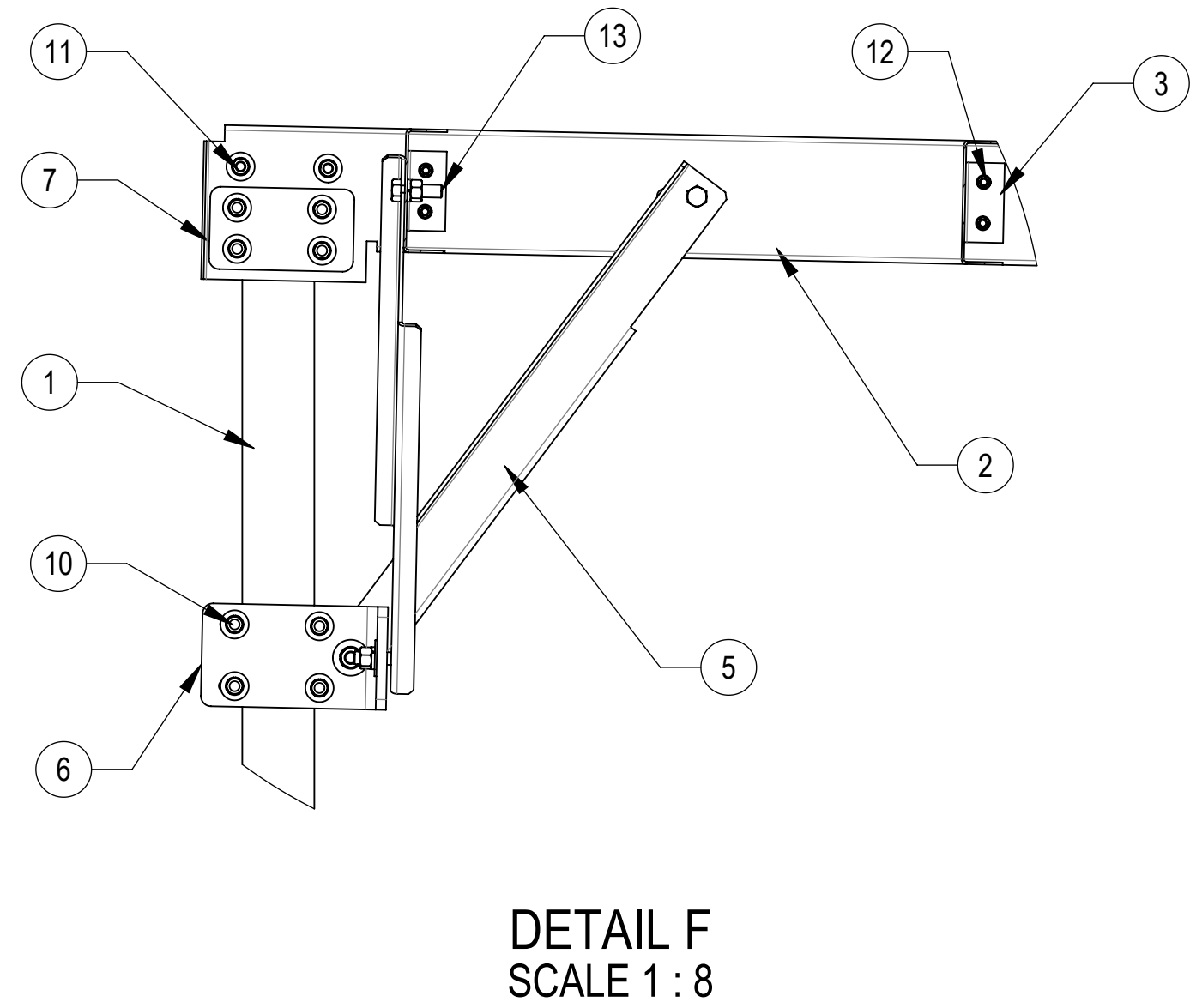
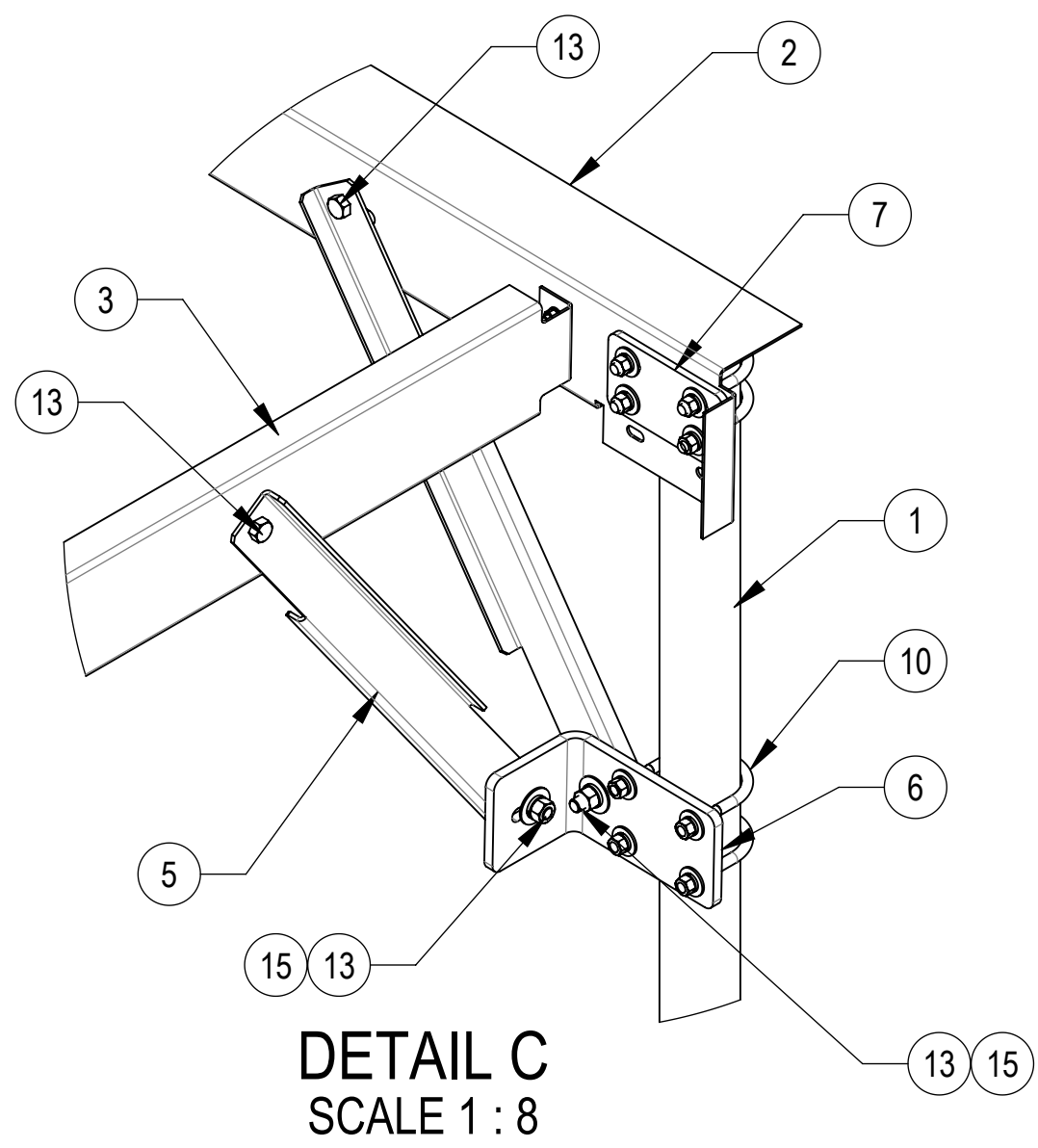


SECTION A-A



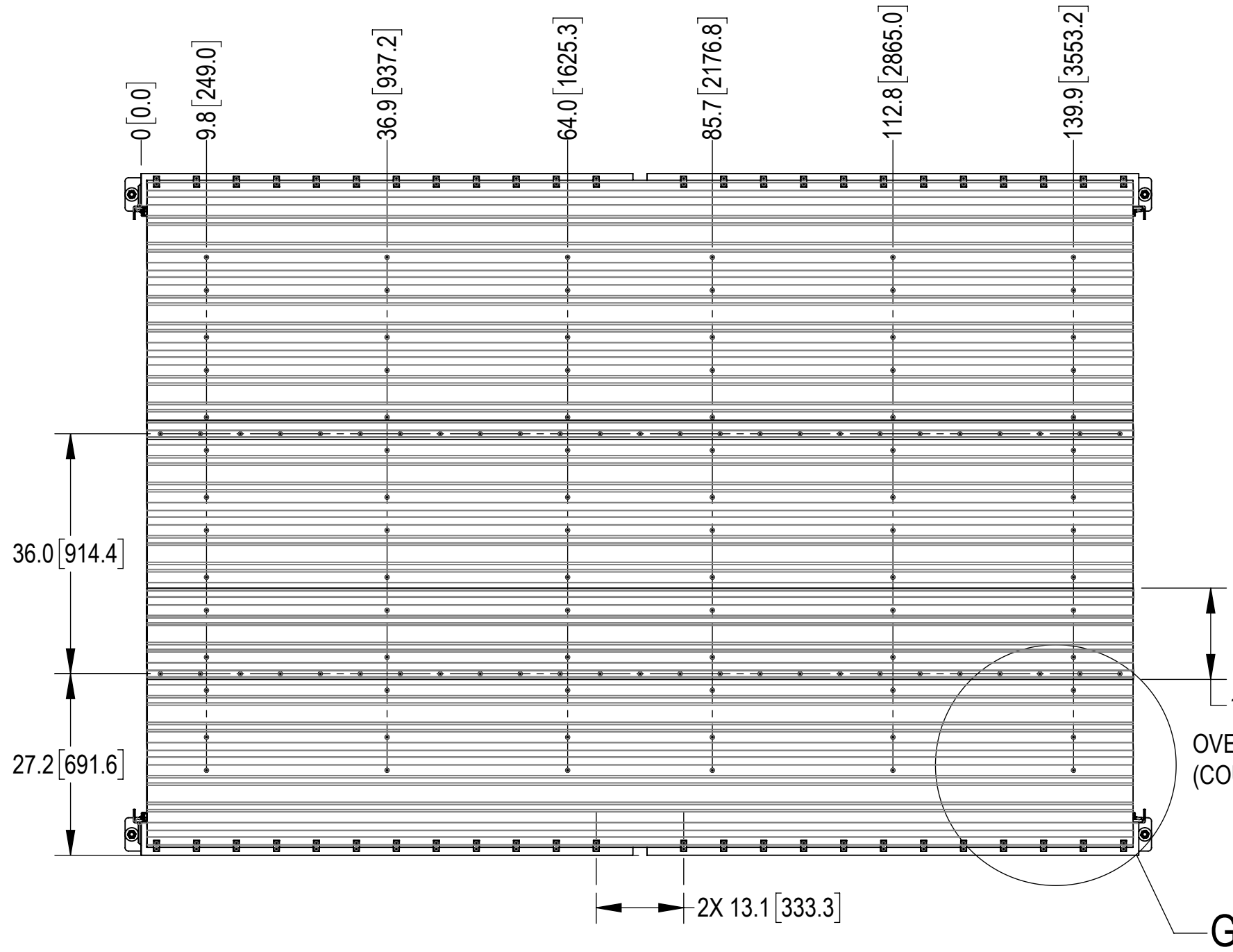
DETAIL D  
SCALE 1 : 6

HIDE ROOF DECKING FOR CLARITY					
COMMSCOPE, INC. OF NORTH CAROLINA					
TITLE 08'X12' RAIN CANOPY, 10'-6"-BASE SHOE					
SIZE C	SCALE 1:32	DOCUMENT NO. RC-0812-S			
		DRAWING			SHEET 3 OF 5
		VERSION 01	STATUS RE	REVISION B	



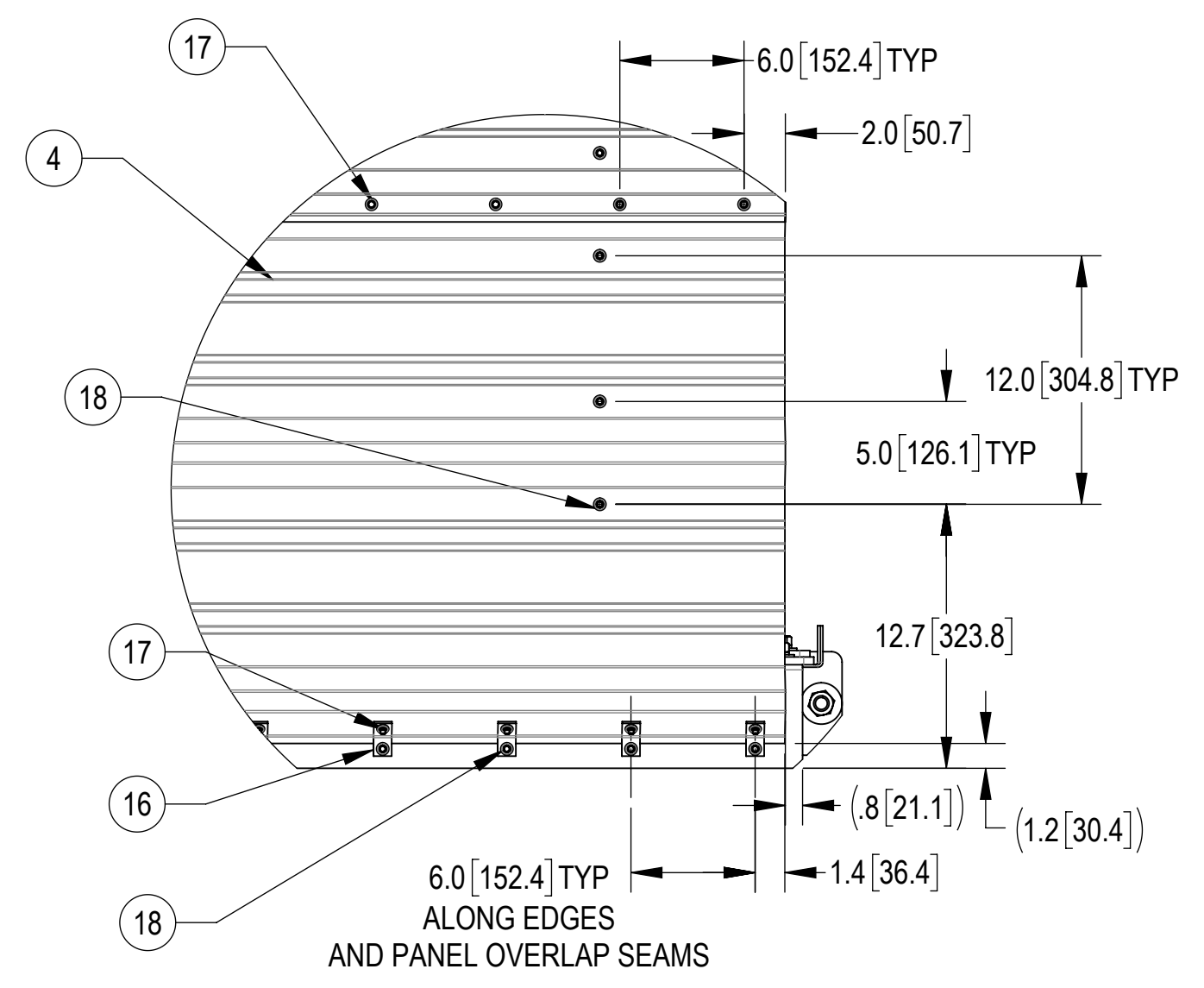
HIDE ROOF DECKING FOR CLARITY

COMMSCOPE, INC. OF NORTH CAROLINA					
TITLE 08'X12' RAIN CANOPY, 10'-6"-BASE SHOE					
SIZE <b>C</b>	SCALE <b>1:20</b>	DOCUMENT NO. RC-0812-S			
		DRAWING			SHEET 4 OF 5
		VERSION 01	STATUS RE	REVISION B	

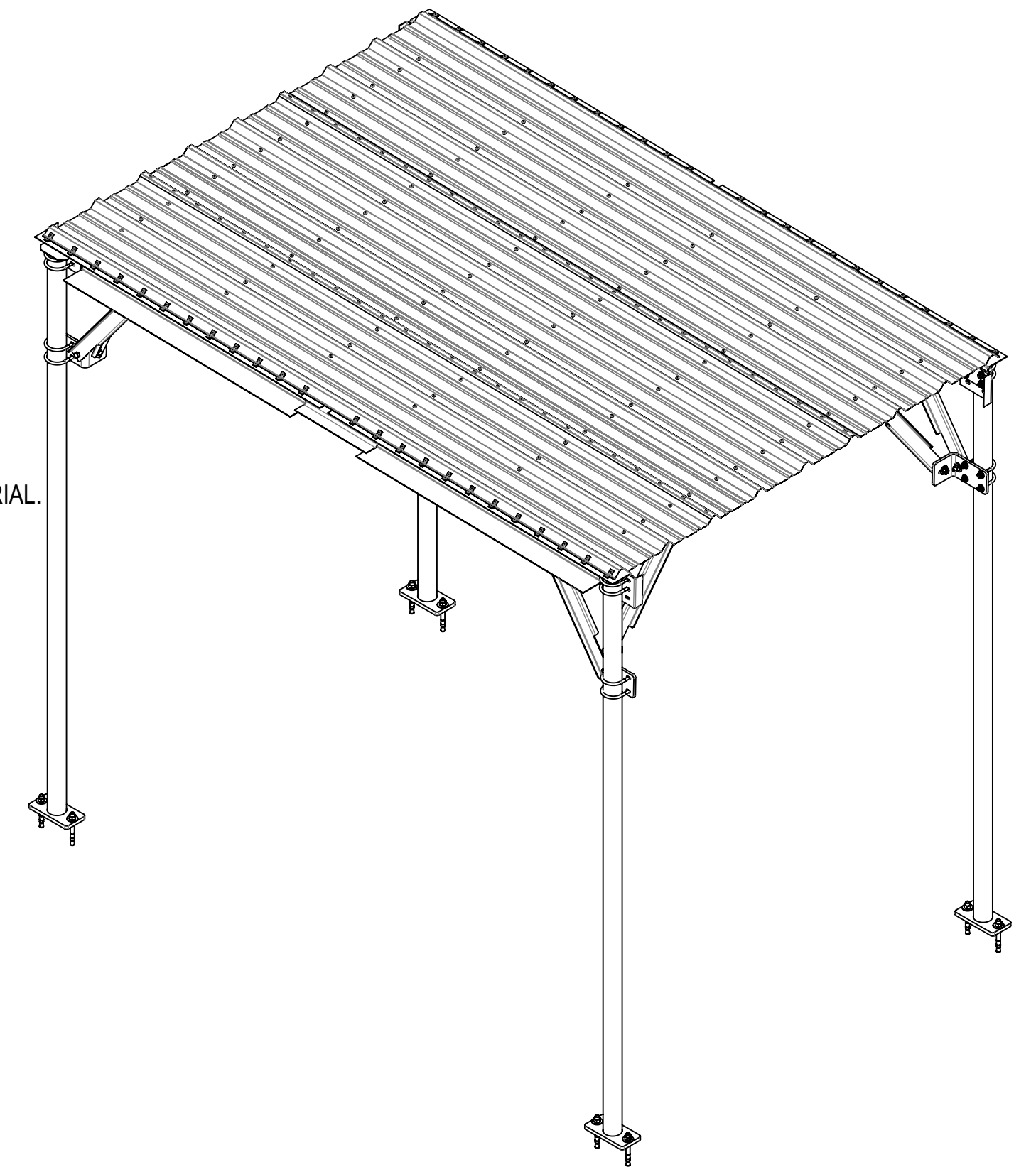



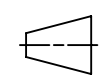
13.7 [347.9]  
 OVERLAP WITH LAST DECK MATERIAL.  
 (COULD BE TRIMMED IF NEED)

2X 13.1 [333.3]



**DETAIL G**  
 SCALE 1 : 8



COMMSCOPE, INC. OF NORTH CAROLINA					
TITLE 08'X12' RAIN CANOPY, 10'-6"-BASE SHOE					
SIZE <b>C</b>	SCALE <b>1:32</b>	DOCUMENT NO. RC-0812-S			
 		DRAWING			SHEET 5 OF 5
		VERSION 01	STATUS RE	REVISION B	