

PLAN VIEW
UNIVERSAL ANGLE CORNER CONNECTION BRACKET



UNIVERSAL ANGLE CORNER CONNECTION BRACKET

TES-SS-MSK8 (UNIVERSAL ANGLE CORNER CONNECTION BRACKET)						
ITEM NO.	QTY.	PART NO.	DESCRIPTION	SHEET #	WT	
1	2	PL5-451205	PL 1/2" X 4 1/2" X 1'-0 1/2" A36	MSK8-F1	15	
2	2	V-CLAMP	PL 1/2" X 4 1/4" X 8 5/8" A36 BEND PLATE	MSK8-F2	11	
3	8	---	BOLT 5/8" X 6" FULL THREAD SAE GR 5	---		
4	4	---	BOLT 5/8" X 2" A325	---		
5	12	FW-625	5/8" HDG USS FLAT WASHER	---	1	
6	12	LW-625	5/8" HDG LOCK WASHER	---	0	
7	12	NUT-625	5/8" HDG HEX NUT	---	1	
					GALVANIZED WT	29

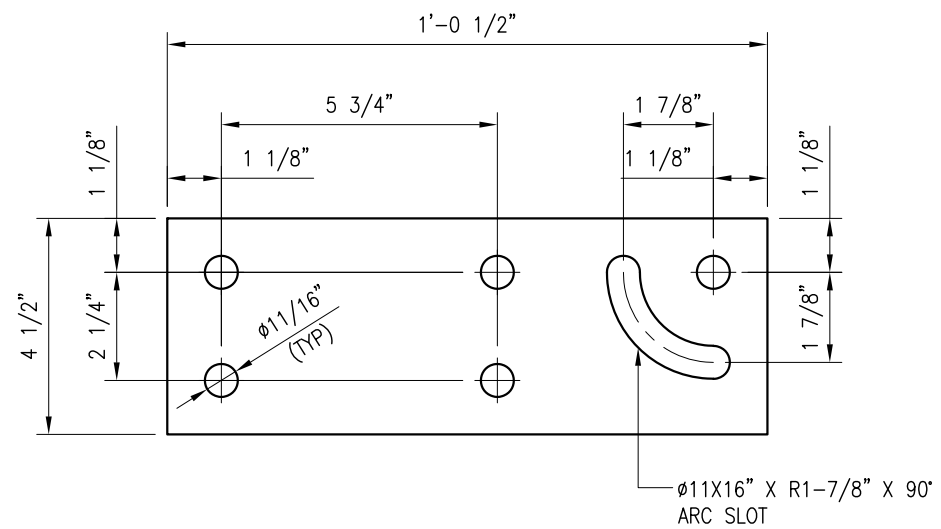
NOTES:
1. HOT-DIPPED GALVANIZED PER ASTM A123.

DRAWN BY: JM CHECKED BY: KW/

REV.	DESCRIPTION	BY	DATE
1	FIRST ISSUE	JM	07/18/23

SHEET TITLE:
TES-SS-MSK8
UNIVERSAL ANGLE CORNER
CONNECTION BRACKET

SHEET NUMBER: TES-SS-MSK8 REV #: 0



PL5-451205
 PL 1/2" X 4 1/2" X 1'-0 1/2" A36
 (7.78 LBS)

NOTES:
 1. HOT-DIPPED GALVANIZED PER ASTM A123.

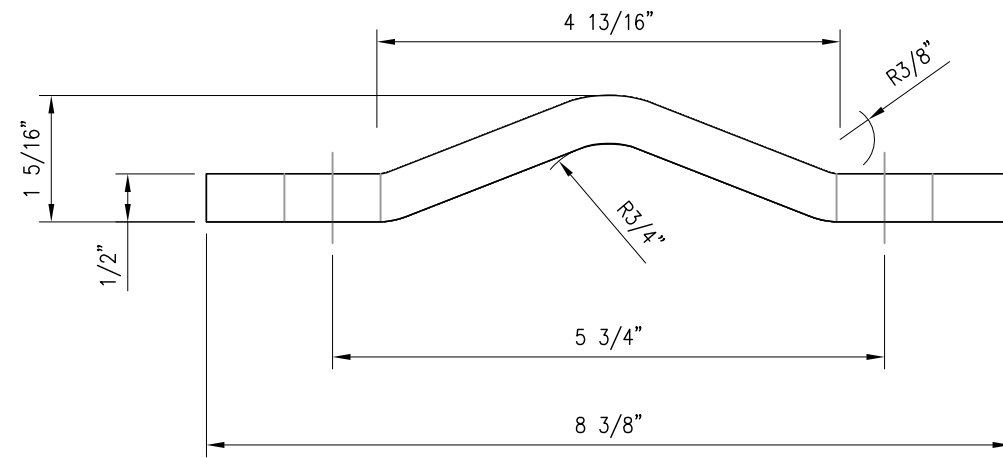
DRAWN BY: JM CHECKED BY: KW/

REV.	DESCRIPTION	BY	DATE
1	FIRST ISSUE	JM	07/18/23

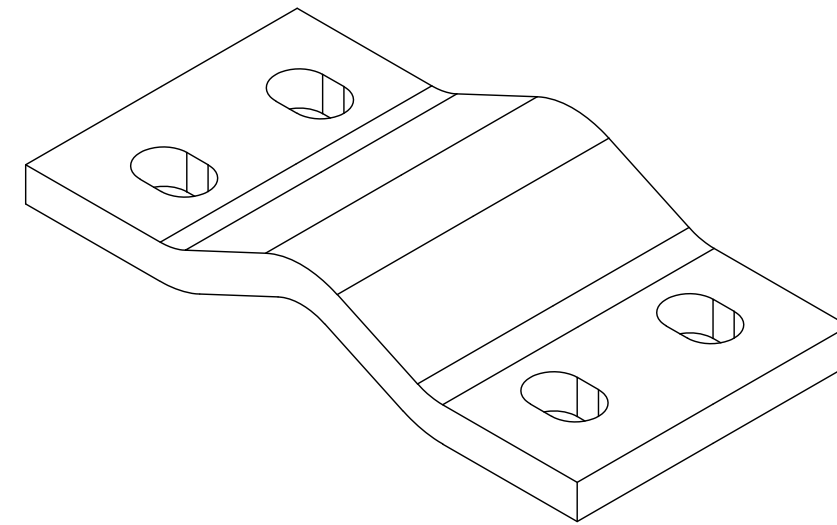
SHEET TITLE:

FABRICATION DETAILS

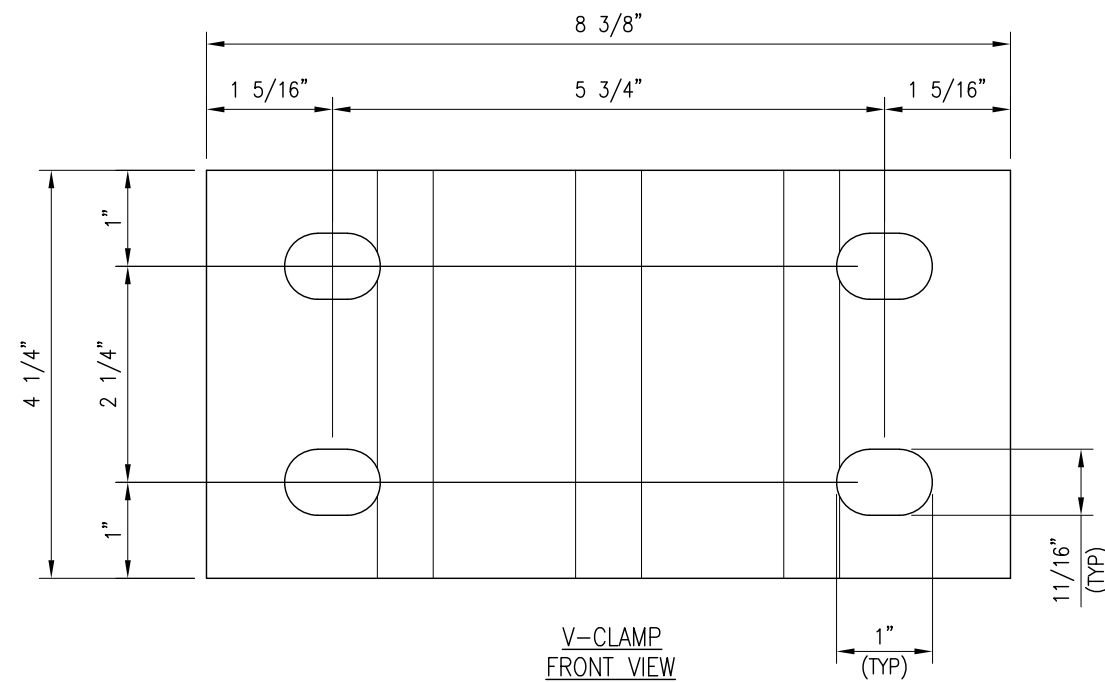
SHEET NUMBER: MSK8-F1
 REV #: 0



V-CLAMP
TOP VIEW



V-CLAMP
ISOMETRIC VIEW



V-CLAMP
FRONT VIEW

V-CLAMP
PL 1/2" X 4 1/4" X 8 5/8" A36 BENT PLATE

NOTES:
1. HOT-DIPPED GALVANIZED PER ASTM A123.

DRAWN BY: JM CHECKED BY: KW/

REV.	DESCRIPTION	BY	DATE
1	FIRST ISSUE	JM	07/18/23

SHEET TITLE:

FABRICATION DETAILS

SHEET NUMBER: REV #:

MSK8-F2 0