

1.0 GENERAL NOTES

- 1.1 ALL METRIC DIMENSIONS ARE IN BRACKETS [X. X]
- 1.2 FOR PATENT INFO: <https://www.cs-pat.com>

2.0 DESIGN NOTES

- 2.1 ANY HAZARDS OR OBSTRUCTIONS TO THE CLIMBING FACILITY AND SAFETY CLIMB MUST BE IDENTIFIED PRIOR TO INSTALLING THE APPURTENANCE. ADDITIONAL PRODUCTS MAY BE REQUIRED TO MAINTAIN THE INTEGRITY OF THE SAFETY CLIMB. DURING INSTALLATION, TEMPORARY AND/OR PERMANENT PRECAUTIONARY MEASURES SHOULD BE TAKEN TO PRESERVE THE CLIMBING FACILITY AND/OR SAFETY CLIMB.
- 2.2 FITS MONOPOLES 15"-45" O.D.
- 2.3 ANTENNA PIPES SHOULD BE CENTERED AND EVENLY SPACED.
- 2.4 POSITION MOUNT OR ADJUST SAFETY CLIMB CABLE SO NOT TO HINDER OR DAMAGE OR OBSTRUCT THE SAFETY CLIMB. SAFETY CABLE ROUTING BRACKET MAY BE PURCHASED SEPARATELY.

3.0 MANUFACTURING/SPECIAL REQUIREMENTS

- 3.1 TIGHTEN ALL BOLTS SECURING FLAT PLATES BY THE TURN-OF-NUT METHOD. TIGHTEN ALL U-BOLTS USING TURN-OF-NUT METHOD WITH ATTENTION TO LEAVE EQUAL DISTANCE AND EQUAL FORCE ON EACH LEG OF THE U-BOLT. ALL FASTENERS SHOULD BE TIGHTENED PER AISC 6.5.2.

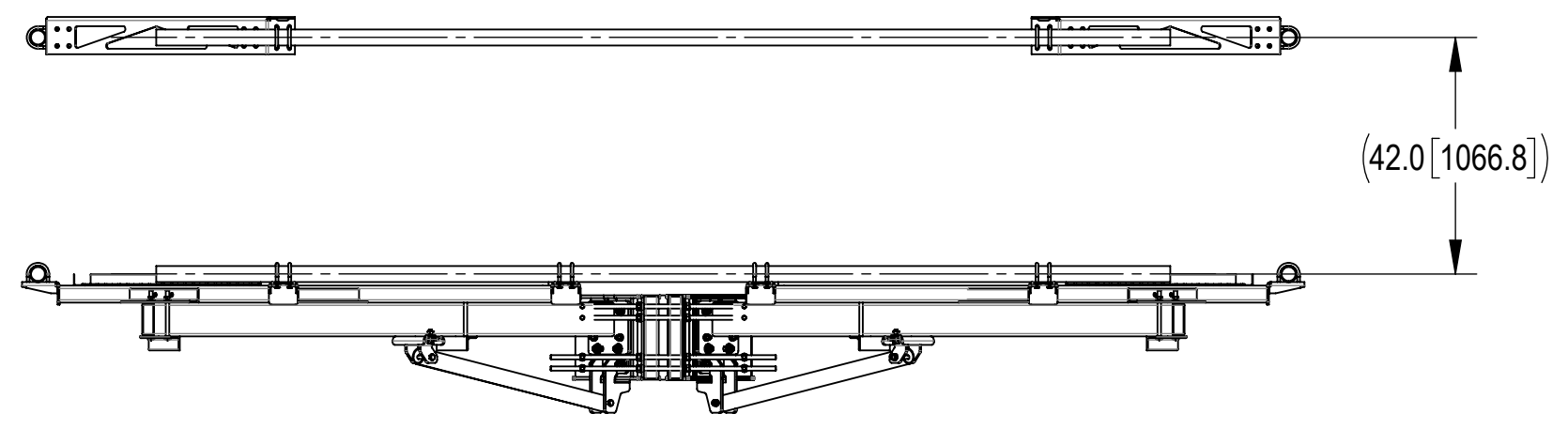
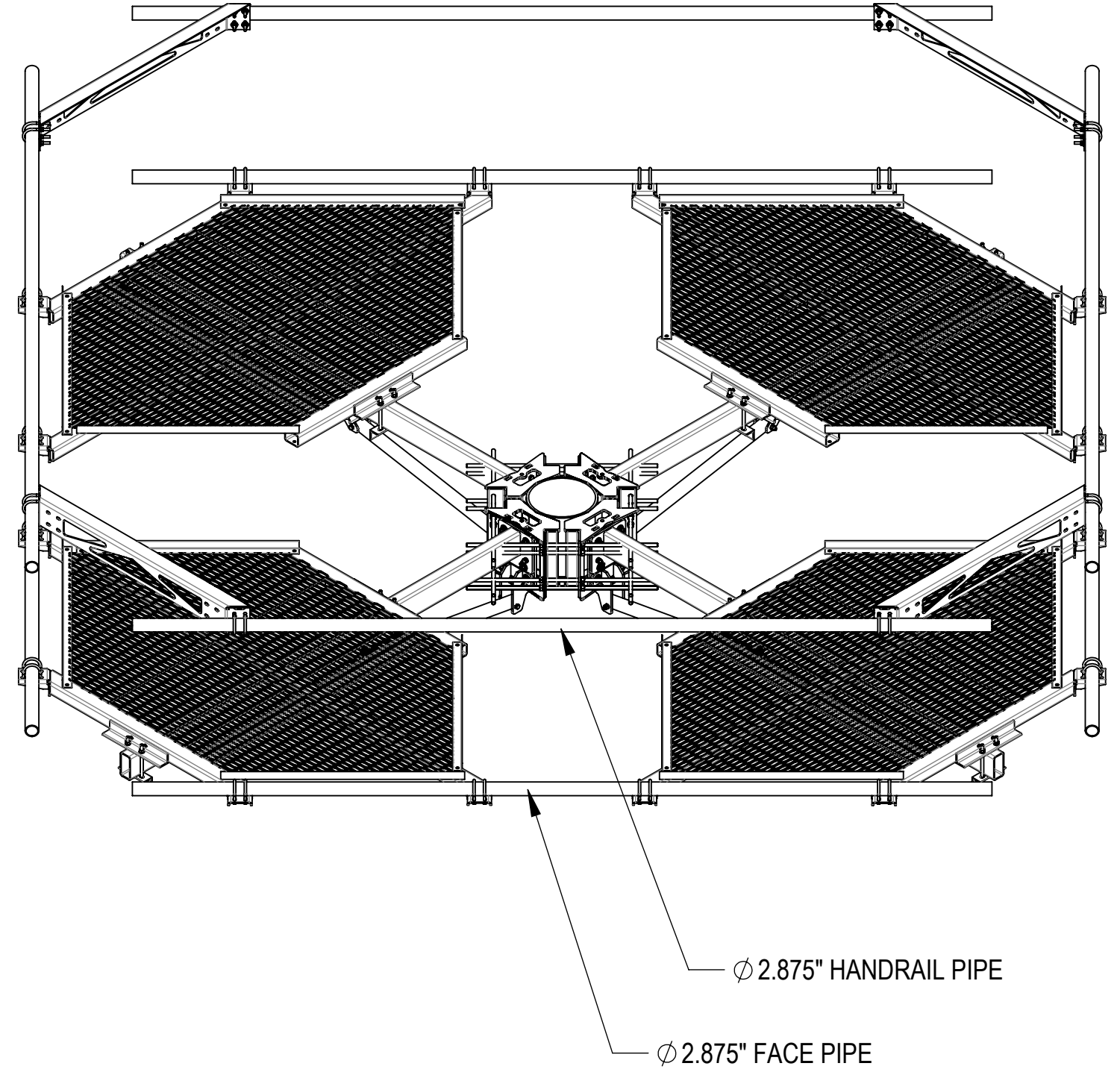
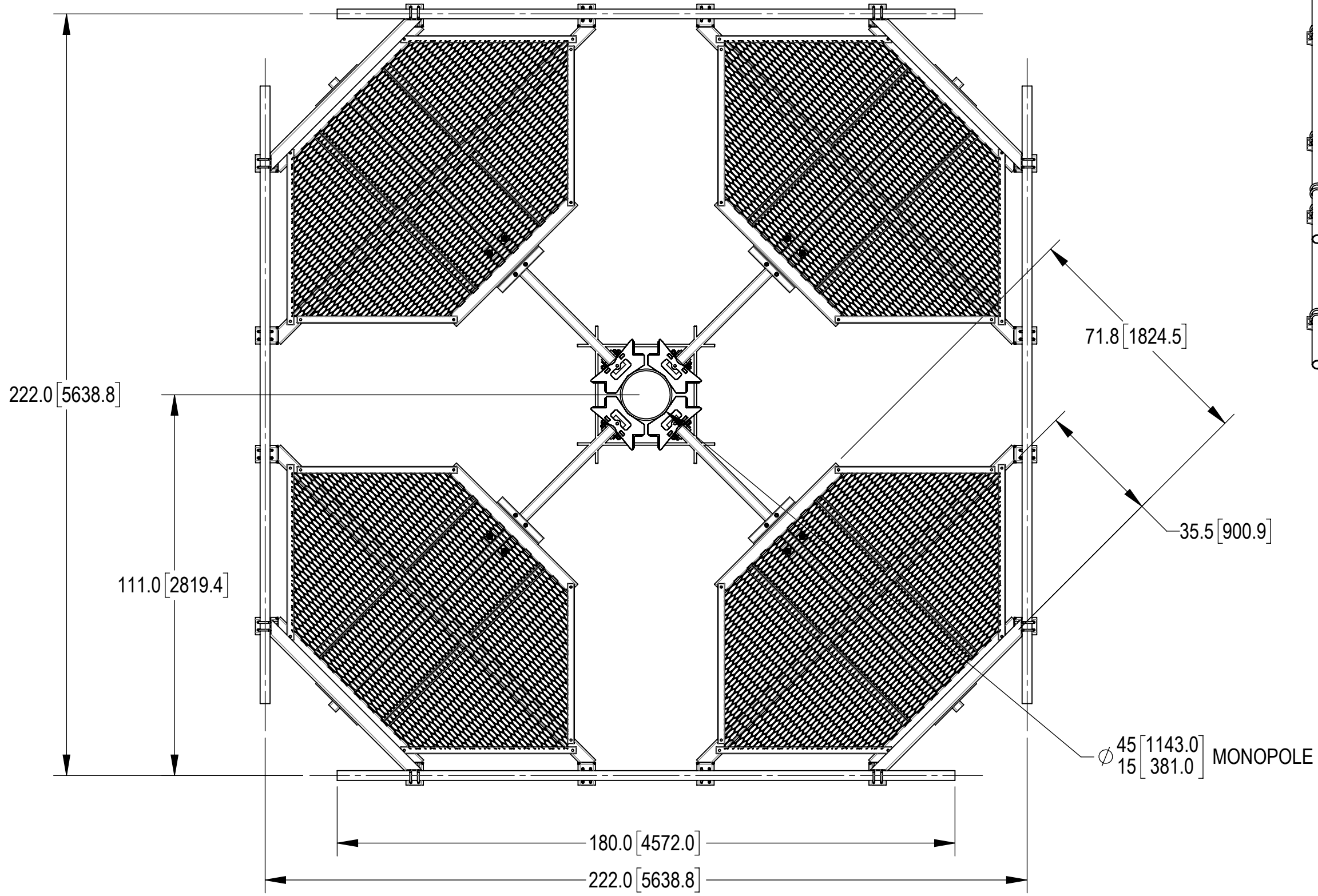
3.2 SUGGEST PRE-ASSEMBLE MINI KICKER BRACKET TO RING MOUNT ON THE GROUND.

4.0 TEST

5.0 PACKAGING

- 5.1 PACKAGING SHALL MEET COMMSCOPE REQUIREMENTS PER DOCUMENT IS-PL-3005
- 5.2 PRINTED DOCUMENT TO BE PLACED INSIDE POLYBAG AND THEN IN SHIPPING CONTAINER
- 5.3 EXTRA HARDWARE MAY BE SUPPLIED, BAGGED AND SHIPPED

REVISIONS			
REV.	DESCRIPTION	DATE	APPROVED
A	INITIAL RELEASE		



COMMSCOPE, INC. OF NORTH CAROLINA			
TOLERANCES		SAP MATERIAL MASTER	
1 PLACE .X[X] ± 0.2[6.3]	3 PLACE .XXX[X] ± 0.060[1.5]	MP-PP15M4-B	
2 PLACE .XX[X] ± 0.12[3.0]	ANGLES ± 2°		
FINISH		MATERIAL	
UNLESS OTHERWISE SPECIFIED DIMENSIONS ARE IN INCHES INTERPRET PER ANSI Y 14.5M-1994	NAME	DATE	TITLE
	CE JL1183	24APR24	MP, 15', 4S, BASE-KIT, W/HR, 15-45"-POLE
	RW		
	AD		
	RE		
ECN			
SCALE	DOCUMENT NO.		
1:32	MP-PP15M4-B		
SIZE	Auth Group	MODEL	DRAWING
C		VERSION	STATUS
		01	REVISION
			VERSION
			STATUS
			REVISION
			SHEET
			1 OF 9

DENSITY		lbs/in ³
MASS	4759.43	lbs
VOLUME	18249.74	in ³
SURFACE AREA	148968.85	in ²
HEIGHT	70.3"	
LENGTH	180.0"	
WIDTH	180.0"	

4

3

2

1


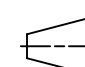
PART NUMBERS, WEIGHTS, & EPA

TABLE 1: CONFIGURATIONS

PART NUMBER	DESCRIPTION	WEIGHT (LBS)	(EPA)A (FT^2)*	(EPA)A 1/2" ICE THICKNESS (FT^2)*	ANTENNA PIPES	INCLUDED PARTS					
						MC-RMHD-1245-3	MC-AS-SB05	RK-48-3MK	MPPP-HK02	MT546180	HRK-15-16-4M
MP-PP15M4-B	MP,15',4S,BASE-KIT,W/HR,15-45"-POLE	4759.3	72.35	89.79	-	1	1	1	1	4	1

* (EPA)A DOES NOT INCLUDE ANTENNA PIPES AND MOUNTING HARDWARE.

COMMSCOPE, INC. OF NORTH CAROLINA

TITLE					
SIZE C	SCALE 1:32	DOCUMENT NO.			
 		DRAWING			SHEET 2 OF 9
		VERSION	STATUS	REVISION	

4

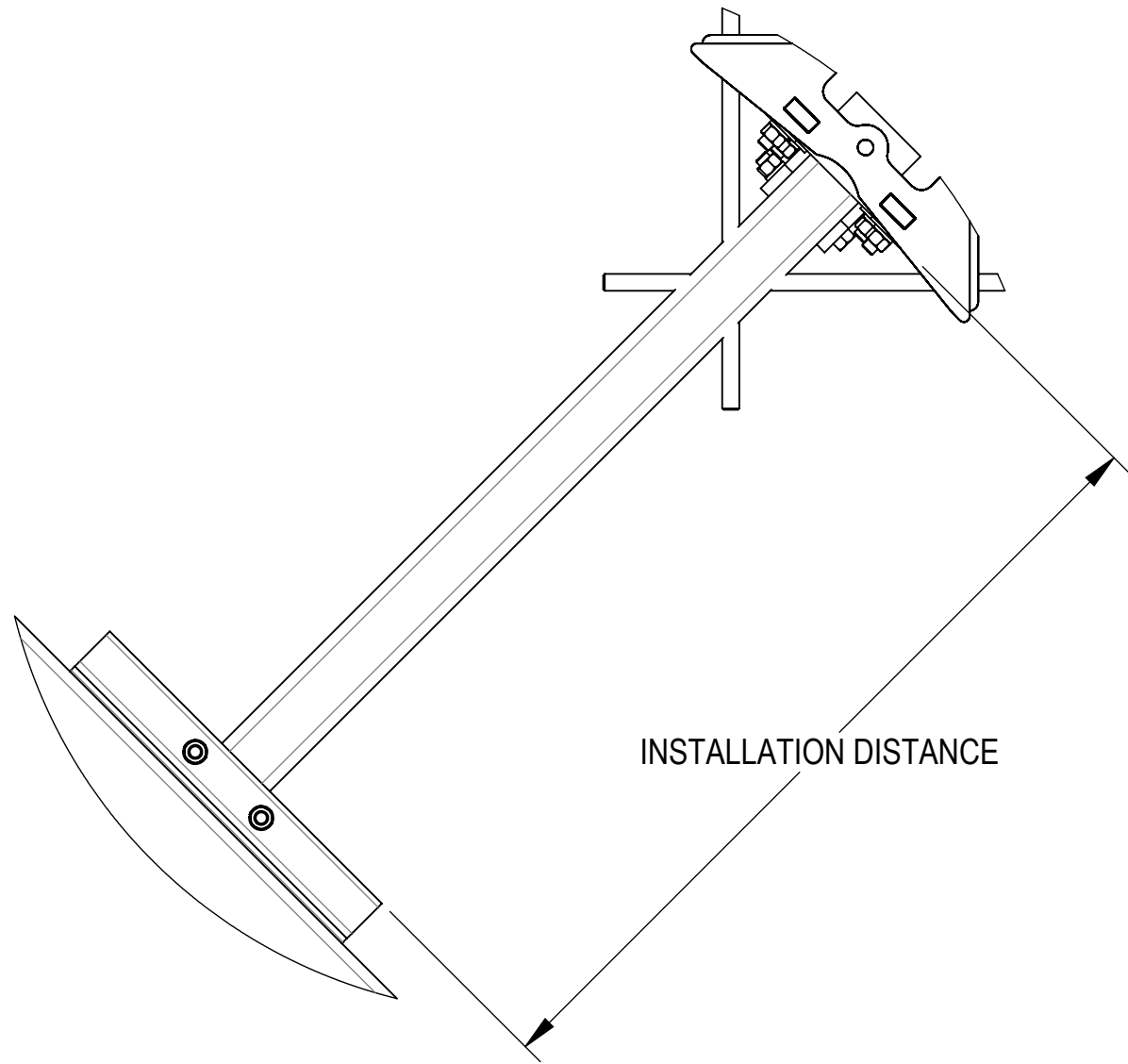
3

2

1

PLATFORM FOR INSTALLATION

ADJUST THE INSTALLATION DISTANCE ACCORDING TO THE DIAMETER OF THE MONOPOLE WHEN INSTALL PLATFORM MP-PP4-4000-00.
SEE TABLE 3 DETAIL FOR THE DISTANCE ADJUSTED.



DETAIL A
SCALE 1 : 8

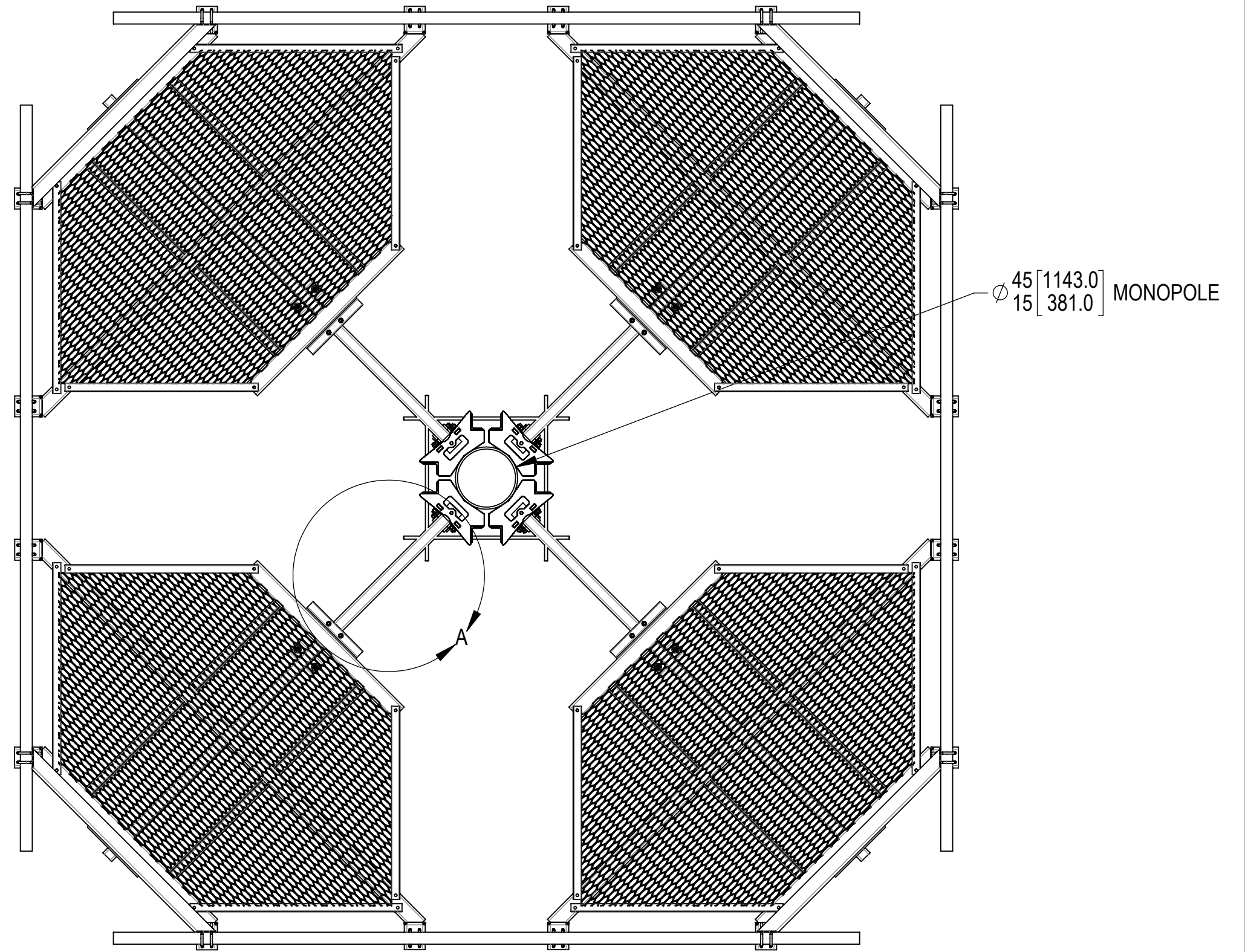


TABLE 3: PLATFORM INSTALLATION POSITION

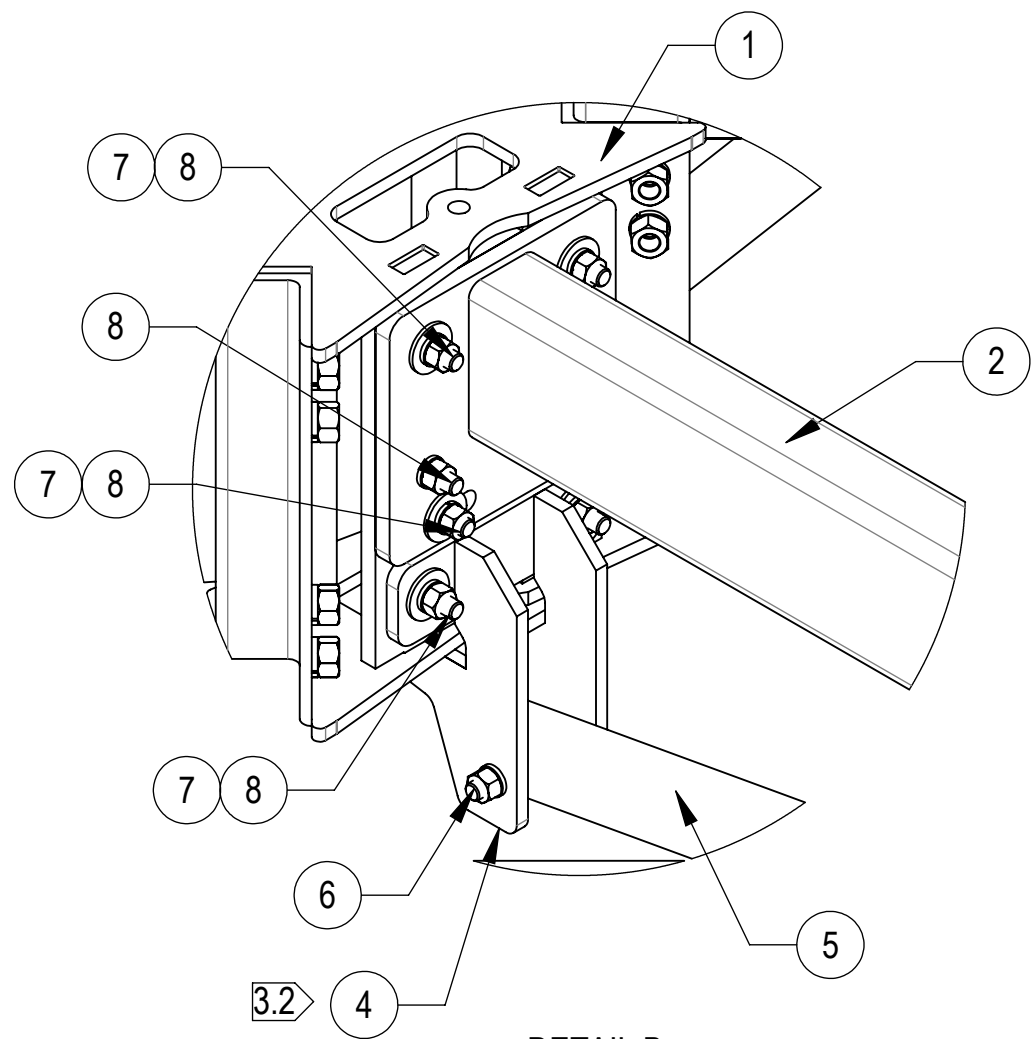
DIAMETER OF MONOPOLE (INCH)	DISATNCE (INCH)	DIAMETER OF MONOPOLE (MM)	DISATNCE (MM)
15.0	36.79	381.0	934.47
17.5	35.52	444.5	902.08
20.0	34.24	508.0	869.70
22.5	32.97	571.5	837.31
25.0	31.69	635.0	804.93
27.5	30.42	698.5	772.54
30.0	29.14	762.0	740.16
32.5	27.87	825.5	707.77
35.0	26.59	889.0	675.39
37.5	25.32	952.5	643.00
40.0	24.04	1016.0	610.62
42.5	22.77	1079.5	578.23
45.0	21.49	1143.0	545.85

NOTE: FOR MONOPOLE DIAMETERS THAT ARE NOT IN THE TABLE, USE BELOW FORMULA TO GET THE VALUE OF THE ADJUSTMENT:
DISTANCE OF ADJUSTMENT = 44.44-0.51*D (INCH), WHERE D(INCH) IS THE DIAMETER OF MONOPOLE

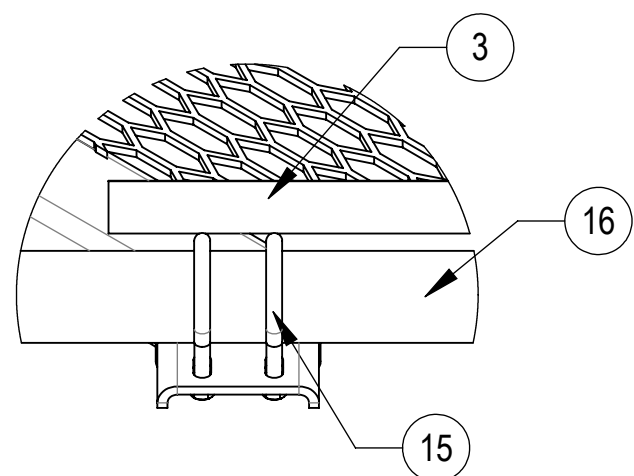
COMMSCOPE, INC. OF NORTH CAROLINA

TITLE			
SIZE C	SCALE 1:25	DOCUMENT NO.	
DRAWING			SHEET
VERSION	STATUS	REVISION	3 OF 9

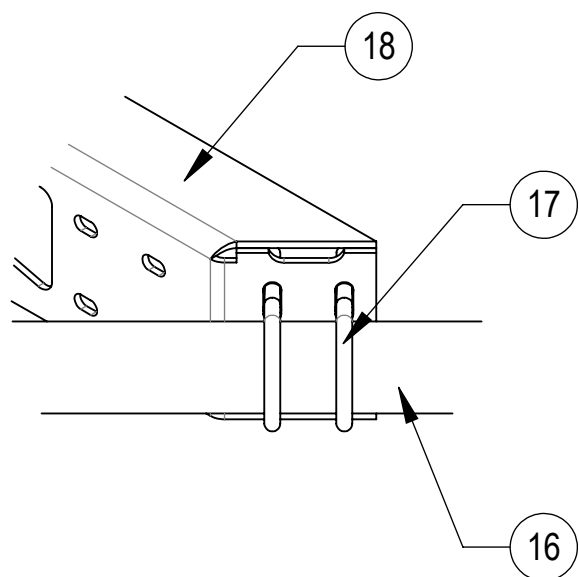
© 2024 CommScope, Inc. Confidential



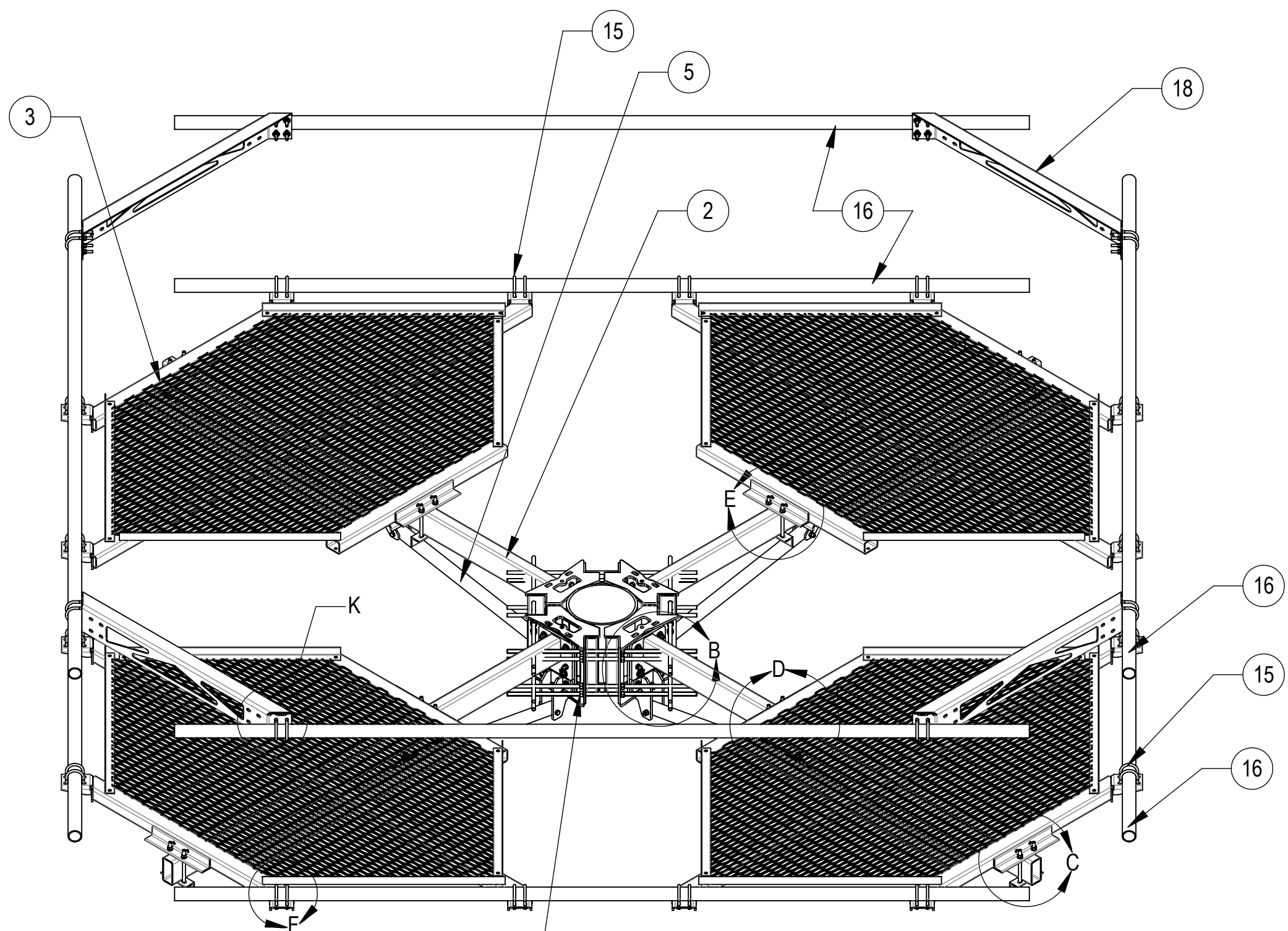
DETAIL B
SCALE 1 : 6



DETAIL F
SCALE 1 : 6



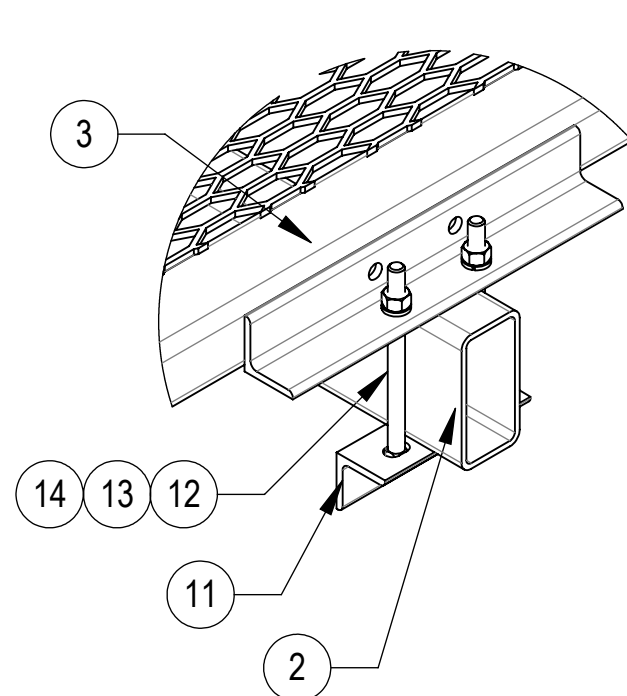
DETAIL K
SCALE 1 : 6



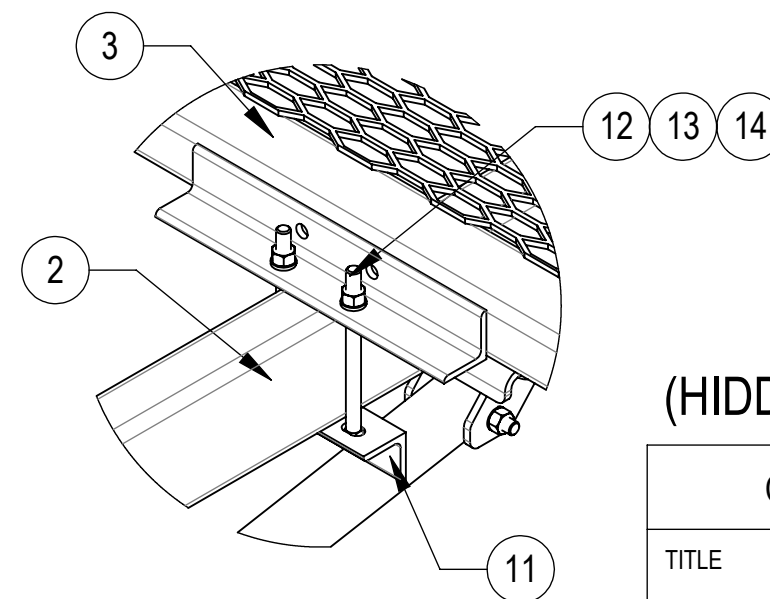
THREADED ROD
FIELD TRIM AS NEEDED

COMPONENT PART NUMBERS PROVIDED FOR ASSEMBLY PURPOSES;
INDIVIDUAL COMPONENTS MAY BE SHIPPED AS PARTS WITHIN AN INCLUDED KIT.

ITEM NO.	PART NUMBER	DESCRIPTION	QTY.	WEIGHT
1	MC-RMHD-1545-4	4 SECTOR RING MOUNT, 15"-45" POLE	4	386.57LBS
2	MP-PP4-3000-00	BARE SUB-WELDMENT, HD MONOPOLE PLATFORM	4	0.00 LBS
3	MP-PP4-4000-00	WELDMENT, CO-LOCATION PLATFORM	4	0.00 LBS
4	MC-AS-6100-00	WELDMENT, MINI KICKER BRACKET	4	14.77 LBS
5	RK48-00	MINI KICKER ARM SUPPORT TUBE 48"	4	22.96 LBS
6	GB-0550A	5/8" X 5" GALV BOLT KIT (A325)	8	0.52 LBS
7	GWF-05	5/8" GALV FLAT WASHER, 1.7OD	44	0.08 LBS
8	GB-0524A	5/8" X 2-1/2" GALV HEX BOLT (A325)	36	0.31 LBS
9	GB-0520A	5/8" X 2" GALV BOLT KIT (A325)	8	0.26 LBS
10	MC-AS-6400-00	WELDMENT, MINI KICKER CLIP	4	5.97 LBS
11	MC-AS-1200-00	CLAMP PLATE, CO-LOCATION PLATFORM	8	2.97 LBS
12	9615-14	BOLT,CARRIAGE,5/8-11,8.5,STL GALV	16	0.82 LBS
13	GWL-05	5/8" GALV LOCK WASHER	16	0.03 LBS
14	GN-05	5/8" GALV HEX NUT	16	0.08 LBS
15	GUB-4340	1/2" X 3" X 4" GALV U-BOLT	32	0.58 LBS
16	MT546180	2.875" O.D. X 180" PIPE	8	87.21 LBS
17	GUB-4352	1/2" X 3" X 5-1/4" GALV U-BOLT	16	0.71 LBS
18	MP-PP4-6000-00	CORNER WELDMEMT, HANDRAIL	4	34.20 LBS



DETAIL C
SCALE 1 : 7



DETAIL E
SCALE 1 : 8

(HIDDEN SOME PARTS FOR CLARITY)

COMMSCOPE, INC. OF NORTH CAROLINA				
TITLE				
SIZE C	SCALE 1:25	DOCUMENT NO.		
DRAWING		SHEET		
VERSION	STATUS	REVISION	4 OF 9	

4

3

2

1

D

D

C

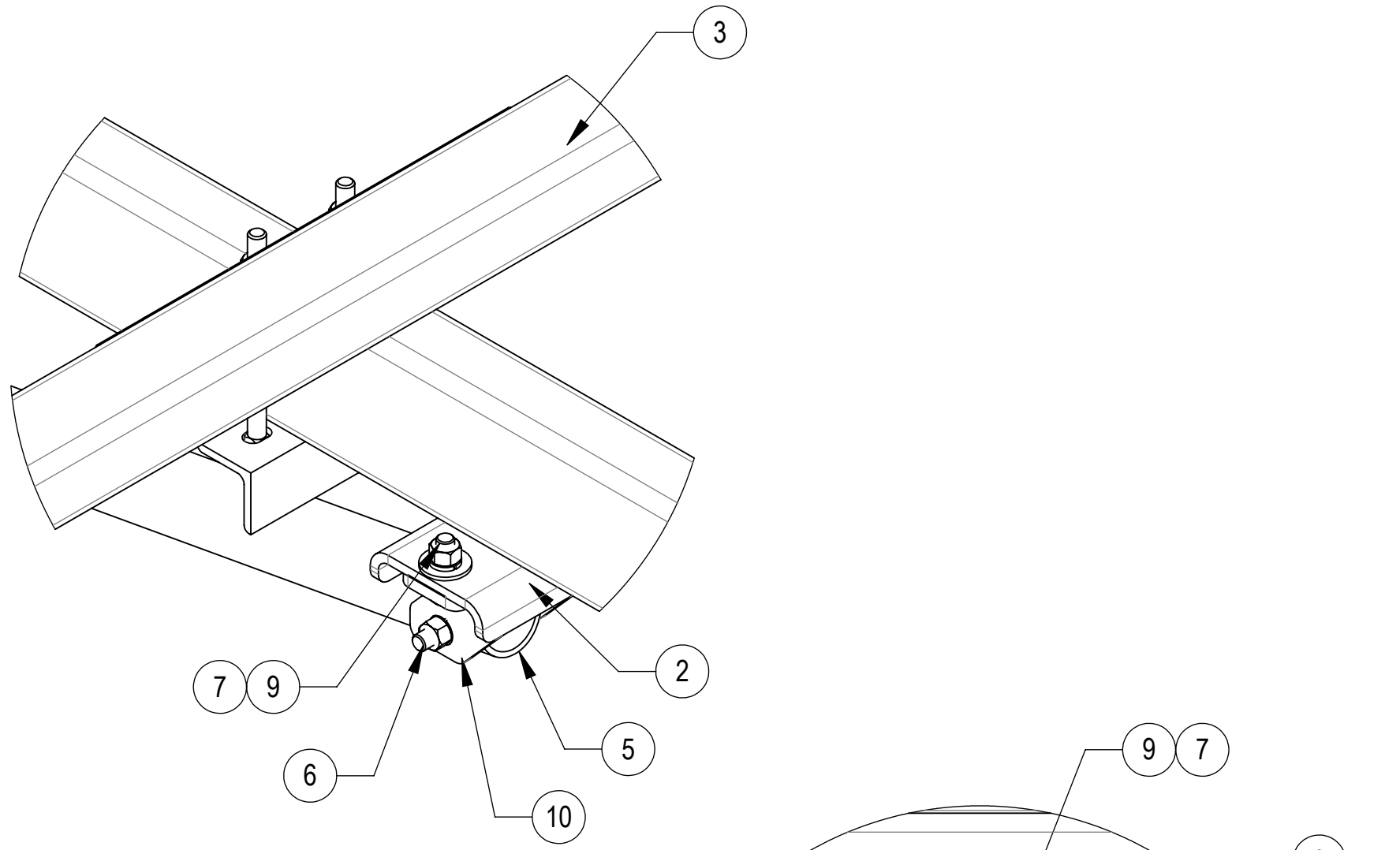
C

B

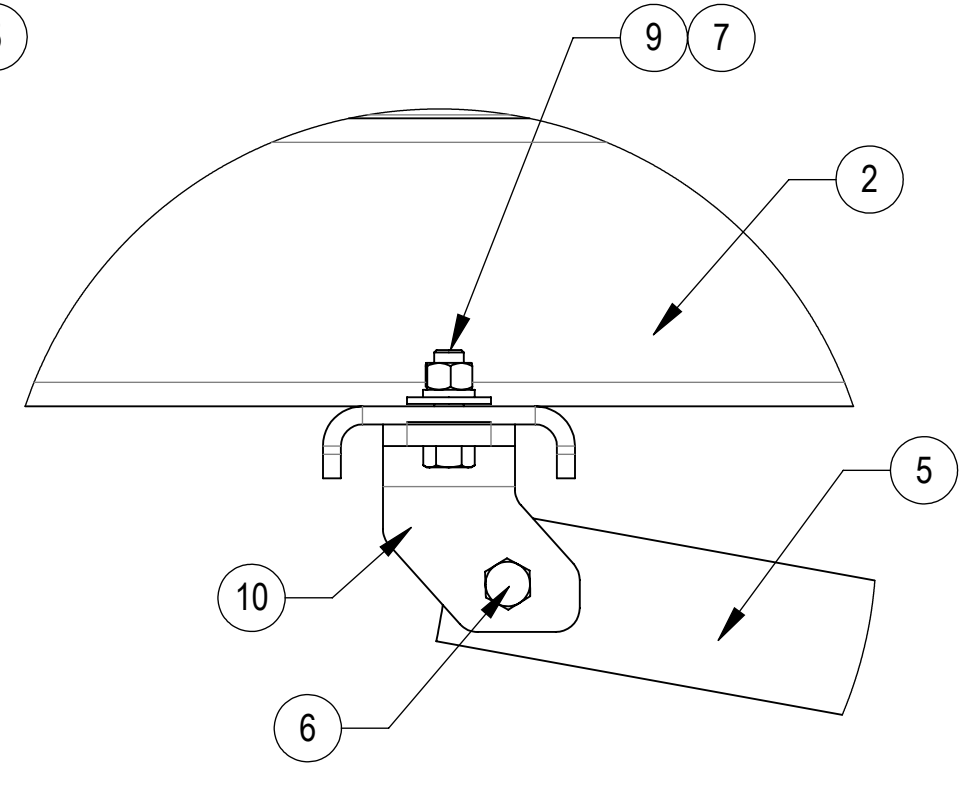
B

A

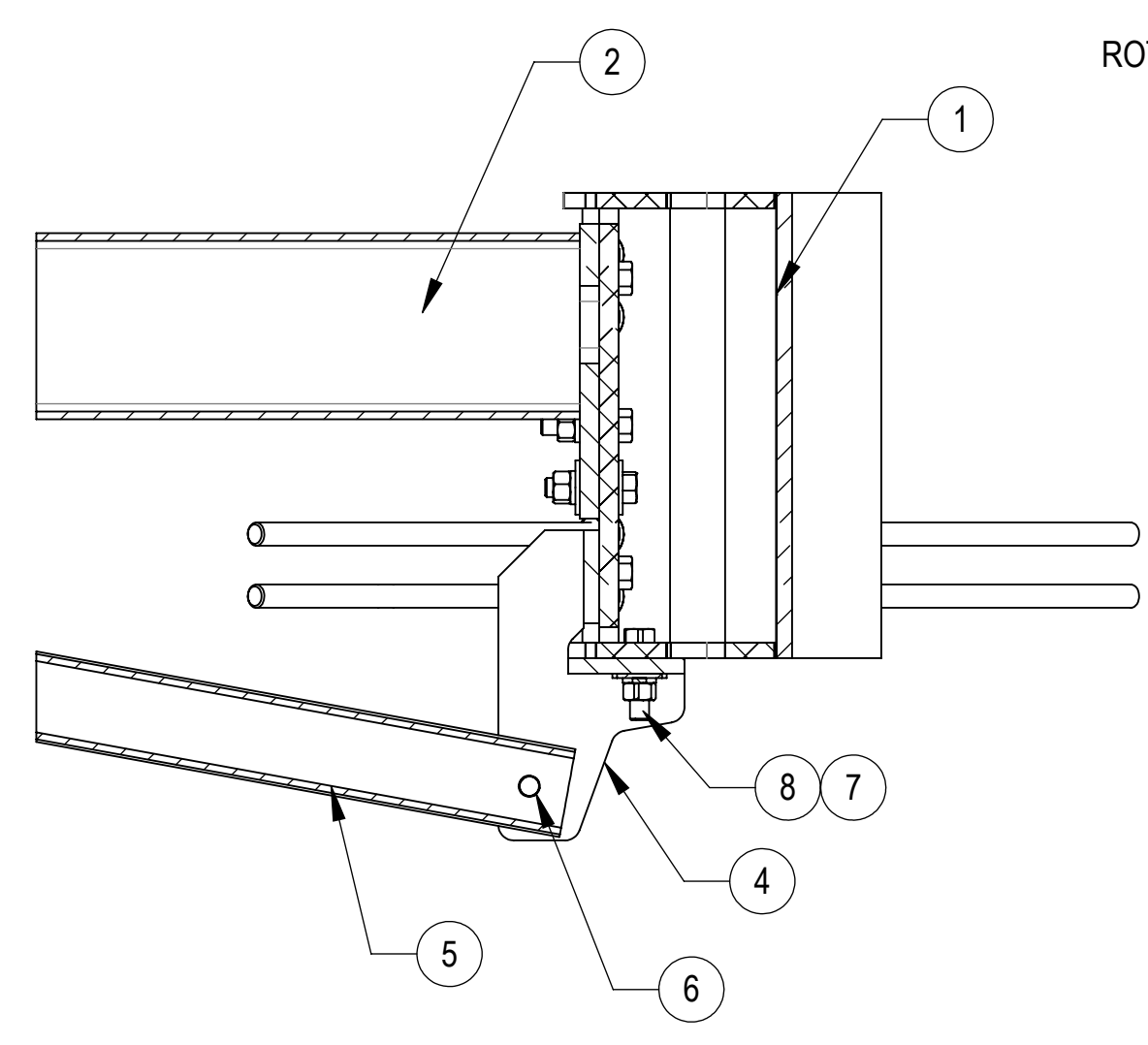
A



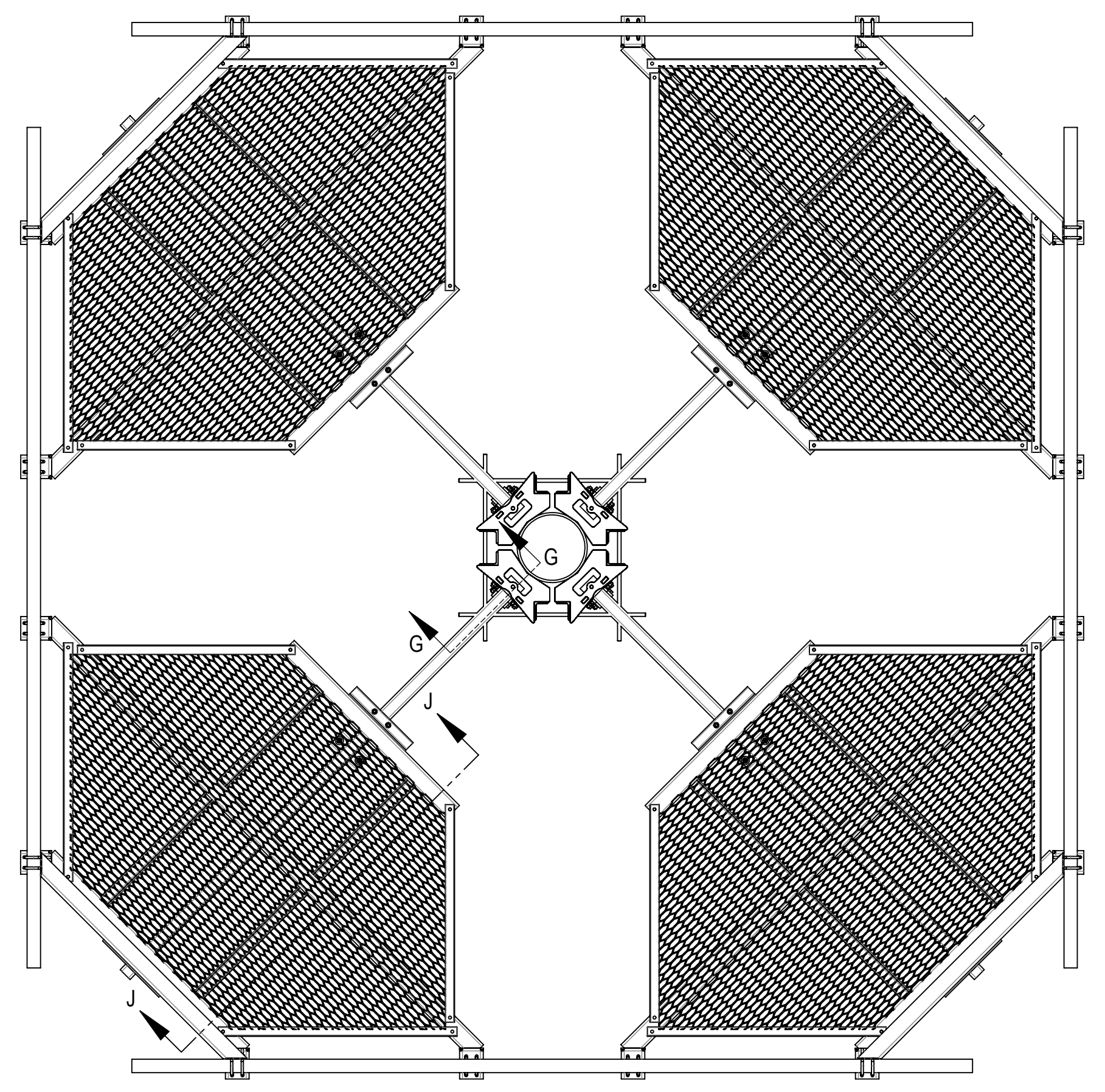
DETAIL D
SCALE 1:5



VIEW J-J
SCALE 1:4
ROTATED CROP VIEW



SECTION G-G
SCALE 1:6
ROTATED VIEW



(HIDDEN SOME PARTS FOR CLARITY)

COMMSCOPE, INC. OF NORTH CAROLINA				
TITLE				
SIZE	SCALE	DOCUMENT NO.		
C	1:25			
DRAWING		REVISION		SHEET
VERSION	STATUS	REVISION	5 OF 9	

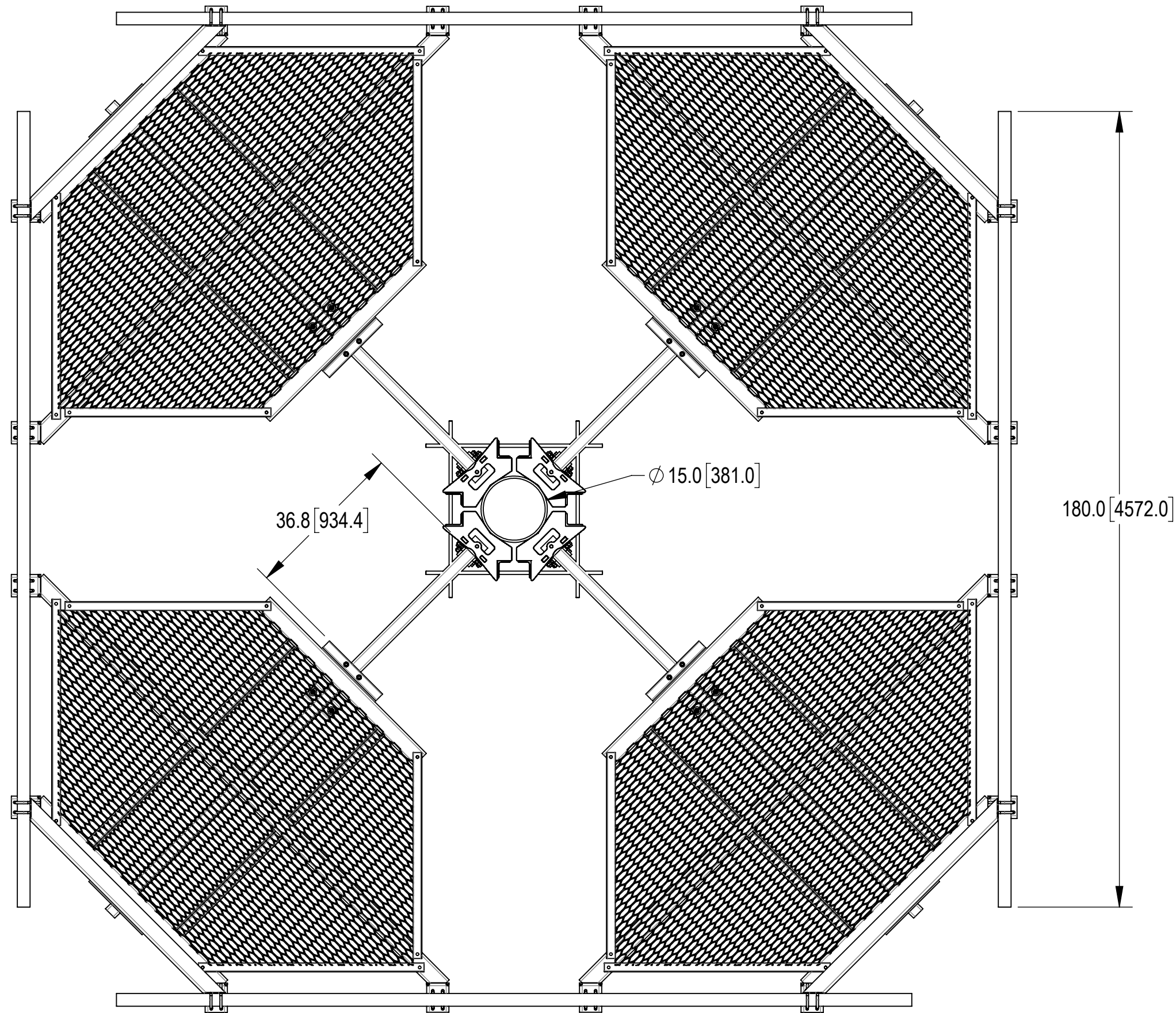
4

3

2

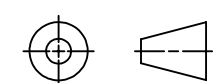
1

DIFFERENT MONOPOLE DIAMETER LAYOUT SHOWN



15" MONOPOLE

COMMSCOPE, INC. OF NORTH CAROLINA				
TITLE				
SIZE	SCALE	DOCUMENT NO.		
C	1:25			
		DRAWING		SHEET
		VERSION	STATUS	REVISION
				6 OF 9



4

3

2

1

D

D

C

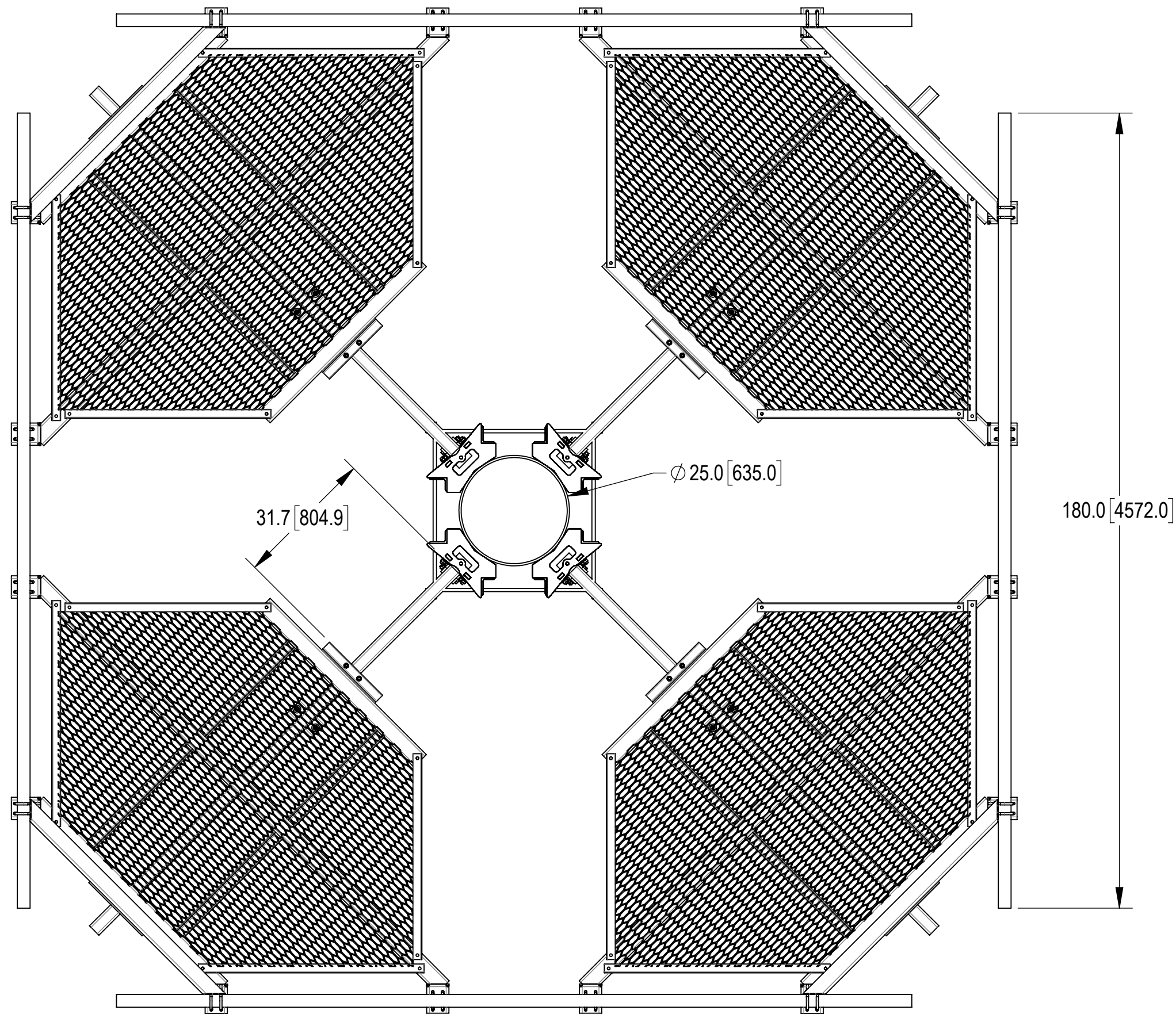
C

B

B

A

A



25" MONOPOLE

COMMSCOPE, INC. OF NORTH CAROLINA				
TITLE				
SIZE	SCALE	DOCUMENT NO.		
C	1:25			
		DRAWING		SHEET
		VERSION	STATUS	REVISION
				7 OF 9

4

3

2

1

4

3

2

1

D

D

C

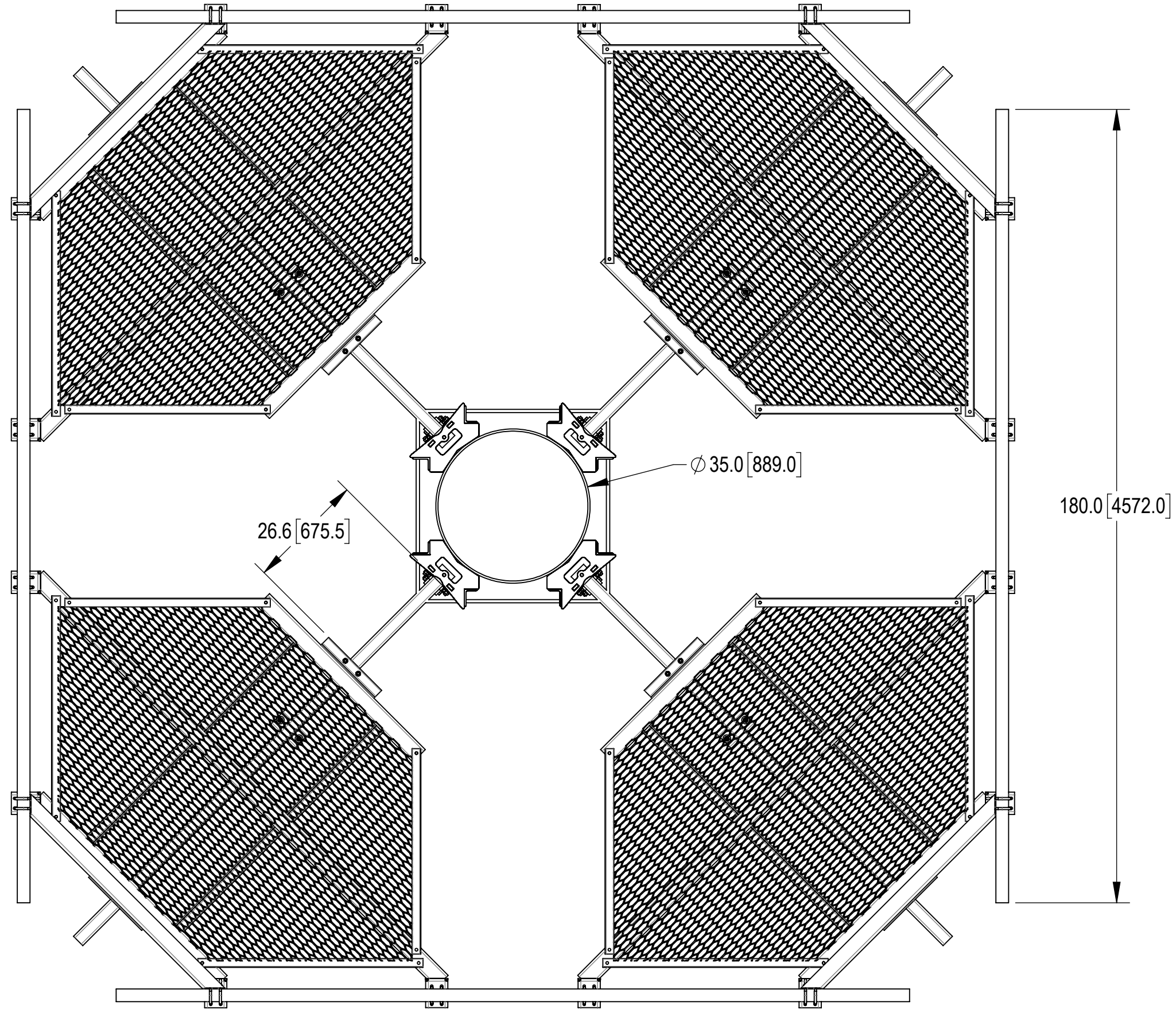
C

B

B

A

A



35" MONOPOLE

COMMSCOPE, INC. OF NORTH CAROLINA				
TITLE				
SIZE	SCALE	DOCUMENT NO.		
C	1:25			
		DRAWING		SHEET
		VERSION	STATUS	REVISION
				8 OF 9

4

3

2

1

4

3

2

1

D

D

C

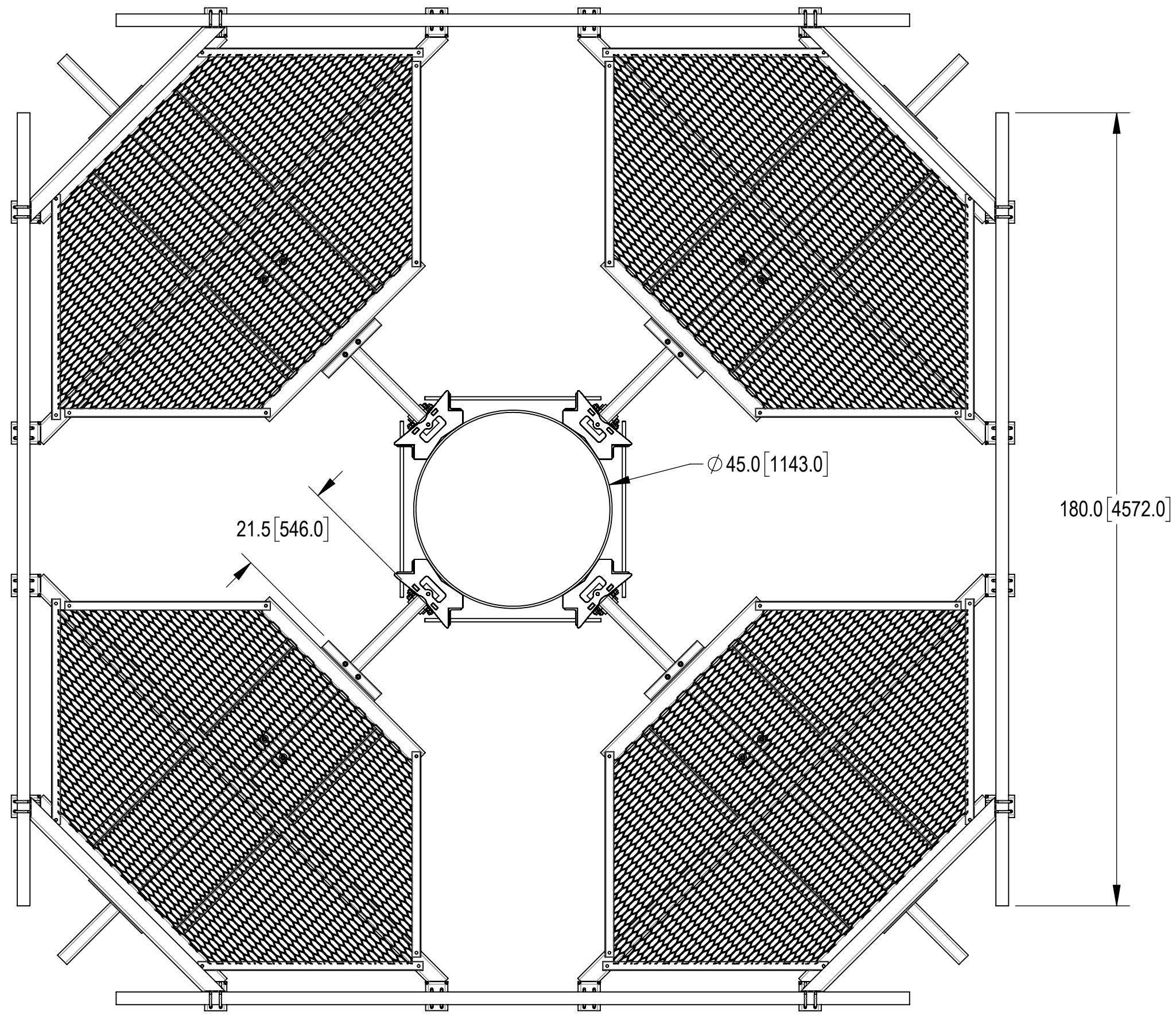
C

B

B

A

A



45" MONOPOLE

COMMSCOPE, INC. OF NORTH CAROLINA				
TITLE				
SIZE	SCALE	DOCUMENT NO.		
C	1:25			
		DRAWING		SHEET
		VERSION	STATUS	REVISION
				9 OF 9

4

3

2

1