

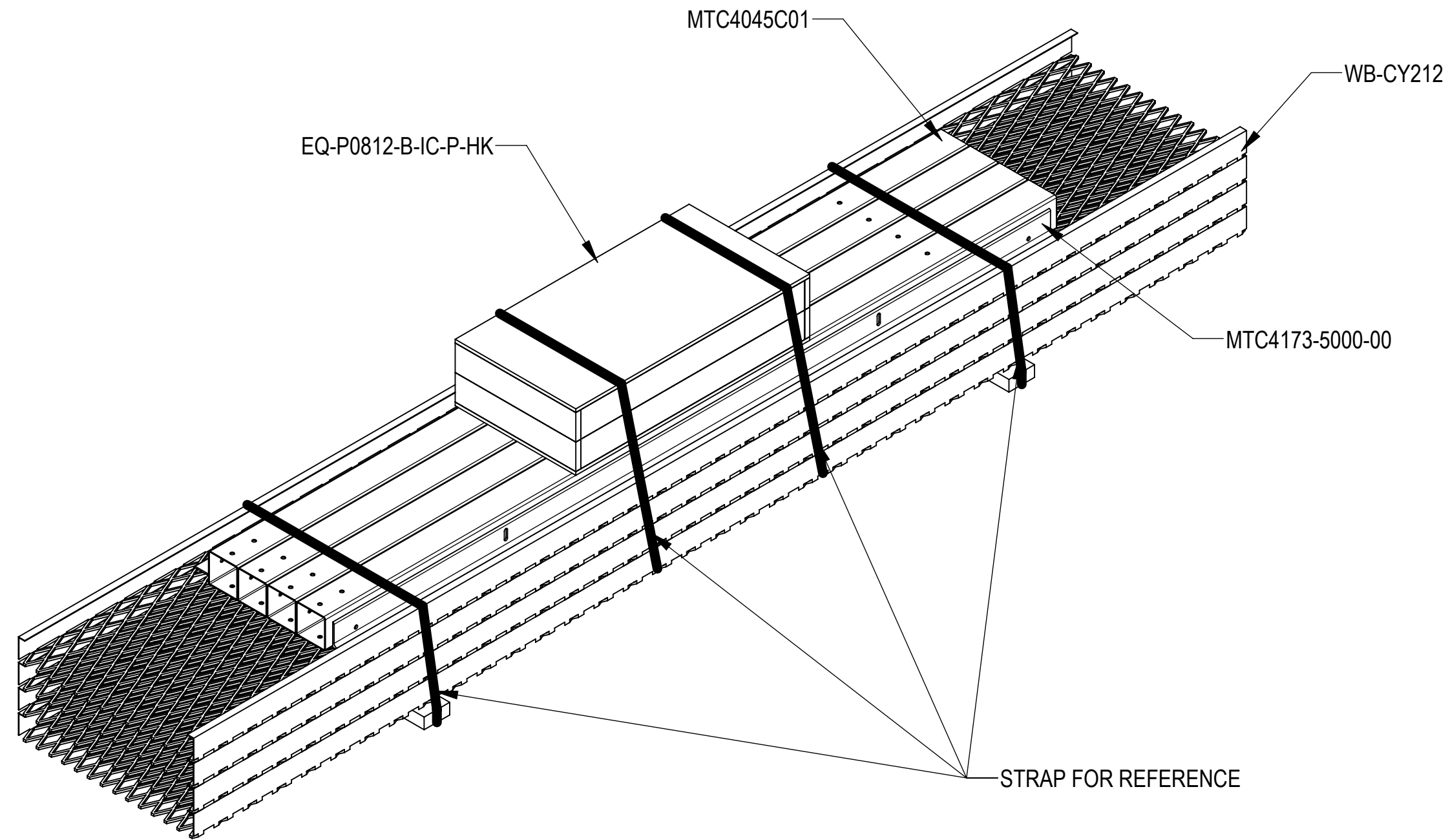
- 1.0 GENERAL NOTES
  - 1.1 ALL METRIC DIMENSIONS ARE IN BRACKETS [X. X]
  - 1.2 FOR PATENT INFO: <https://www.cs-pat.com>

- 2.0 DESIGN NOTES
  - 2.1 ANY HAZARDS OR OBSTRUCTIONS TO THE CLIMBING FACILITY AND SAFETY CLIMB MUST BE IDENTIFIED PRIOR TO INSTALLING THE APPURTENANCE. ADDITIONAL PRODUCTS MAY BE REQUIRED TO MAINTAIN THE INTEGRITY OF THE SAFETY CLIMB. DURING INSTALLATION, TEMPORARY AND/OR PERMANENT PRECAUTIONARY MEASURES SHOULD BE TAKEN TO PRESERVE THE CLIMBING FACILITY AND/OR SAFETY CLIMB.

- 3.0 MANUFACTURING/SPECIAL REQUIREMENTS
  - 3.1 TIGHTEN ALL BOLTS SECURING FLAT PLATES BY THE TURN-OF-NUT METHOD. TIGHTEN ALL U-BOLTS USING TURN-OF-NUT METHOD WITH ATTENTION TO LEAVE EQUAL DISTANCE AND EQUAL FORCE ON EACH LEG OF THE U-BOLT.

- 4.0 TEST
- 5.0 PACKAGING
  - 5.1 PACKAGING SHALL MEET COMMSCOPE REQUIREMENTS PER DOCUMENT IS-PL-3005
  - 5.2 PRINTED DOCUMENT TO BE PLACED INSIDE POLYBAG AND THEN IN SHIPPING CONTAINER
  - 5.3 EXTRA HARDWARE MAY BE SUPPLIED, BAGGED AND SHIPPED

REVISIONS			
REV.	DESCRIPTION	DATE	APPROVED
A	INITIAL RELEASE	YMENG 06MAY2024	YW1047



COMMSCOPE, INC. OF NORTH CAROLINA											
TOLERANCES						SAP MATERIAL MASTER					
1 PLACE .X[X] ± 0.2[6.3]			3 PLACE .XXX[X] ± 0.060[1.5]			EQ-P0812-B-IC-P					
2 PLACE .XX[X] ± 0.12[3.0]			ANGLES ± 2°								
FINISH						MATERIAL					
UNLESS OTHERWISE SPECIFIED DIMENSIONS ARE IN INCHES INTERPRET PER ANSI Y 14.5M-1994	NAME	DATE	TITLE								
	CE YMENG	06MAY24	ICE CANOPY FOR EQ-P0812-B								
	RW LS1146	03/11/2024									
	AD YW1047	03/12/2024									
	RE YMENG	03/13/2024									
ECN	SCALE		DOCUMENT NO.								
	1:24		EQ-P0812-B-IC-P								
SIZE	Auth Group	INSL	MODEL			DRAWING			SHEET		
C			VERSION	STATUS	REVISION	VERSION	STATUS	REVISION	1 OF 4		
			00	RE	A	00	RE	A			

DENSITY		lbs/in <sup>3</sup>
MASS	778.54	lbs
VOLUME	2748.10	in <sup>3</sup>
SURFACE AREA	43006.53	in <sup>2</sup>
HEIGHT		
LENGTH		
WIDTH		

4

3

2

1

D

D

C

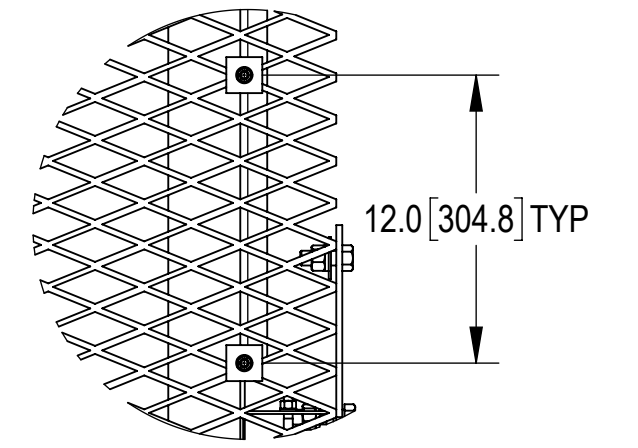
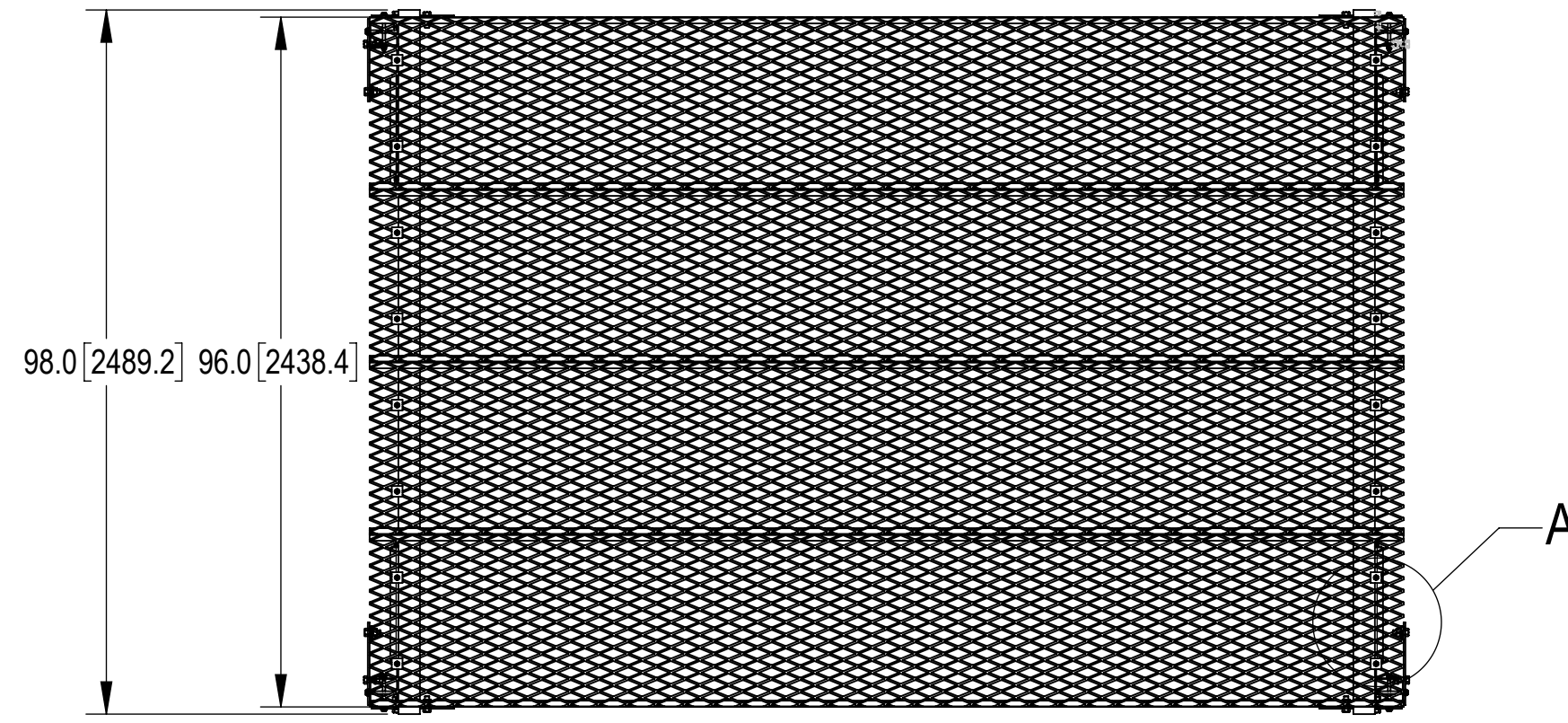
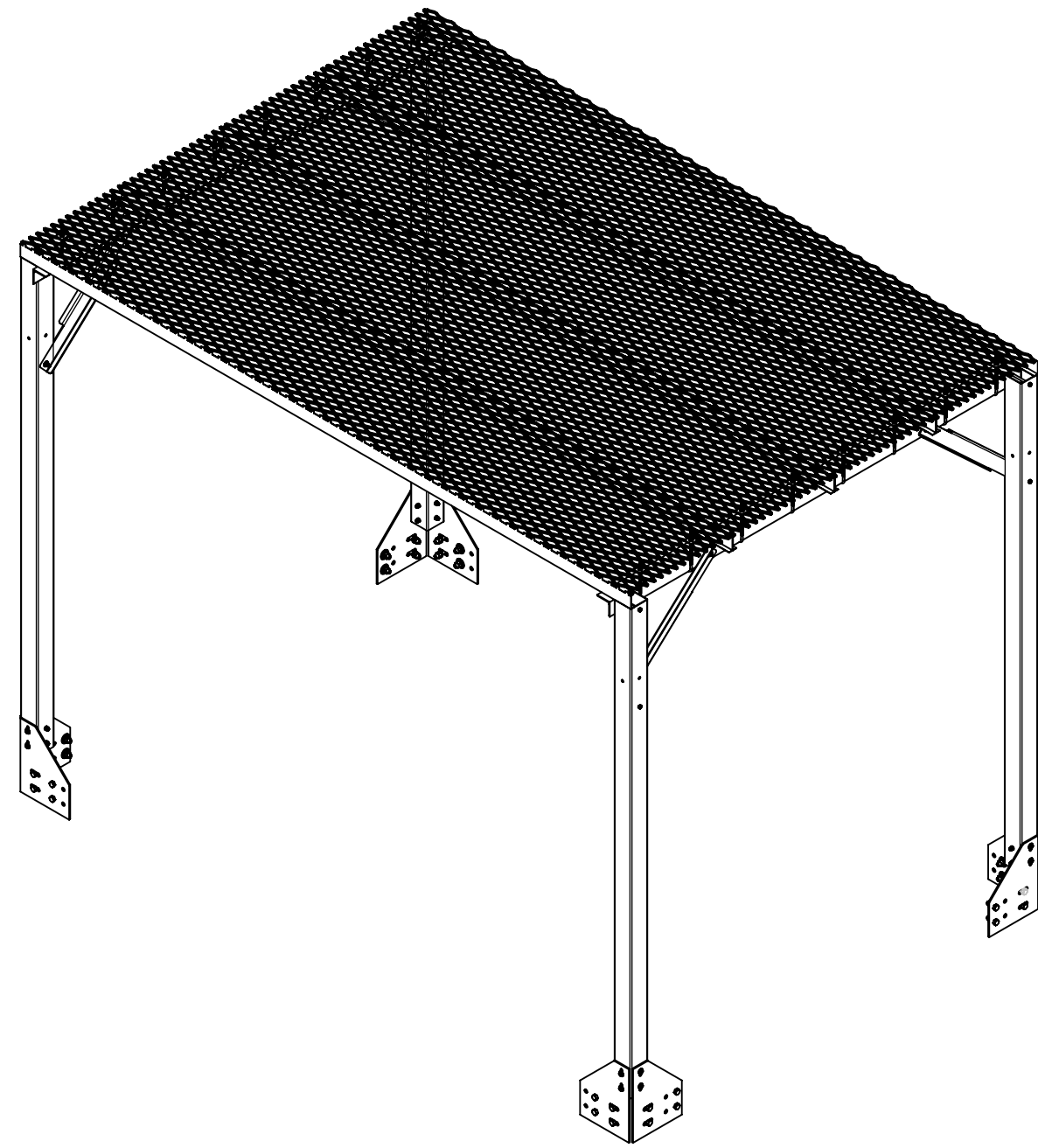
C

B

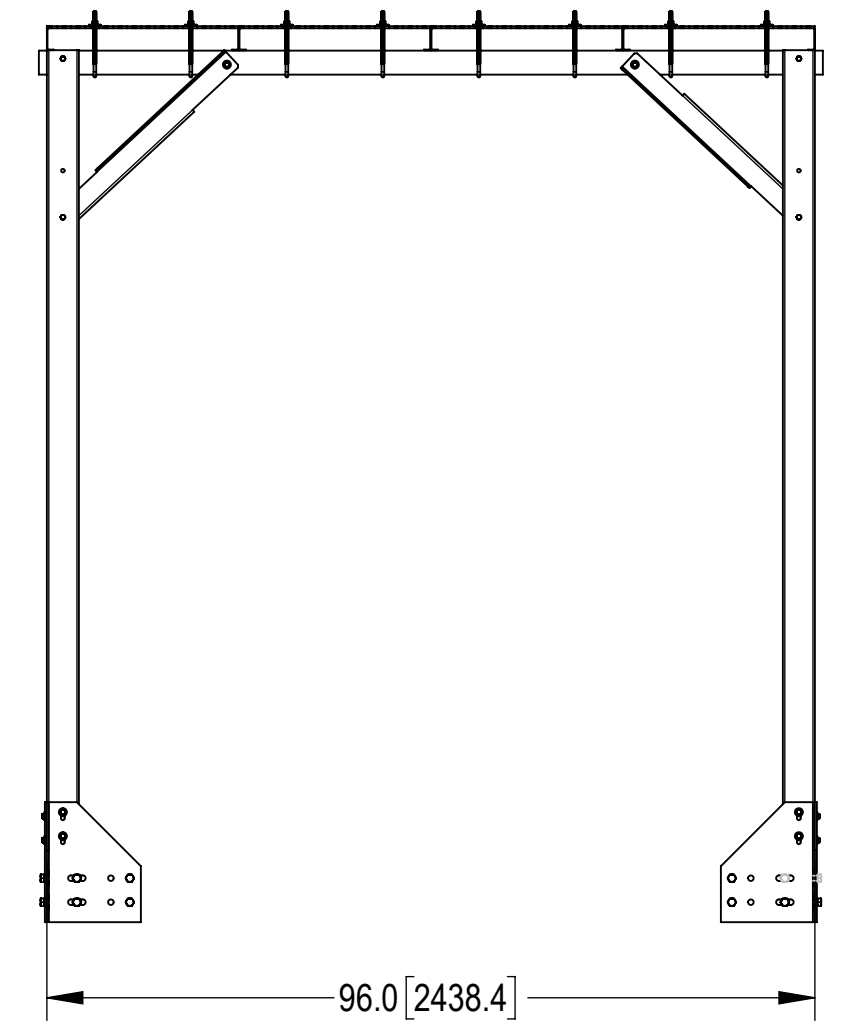
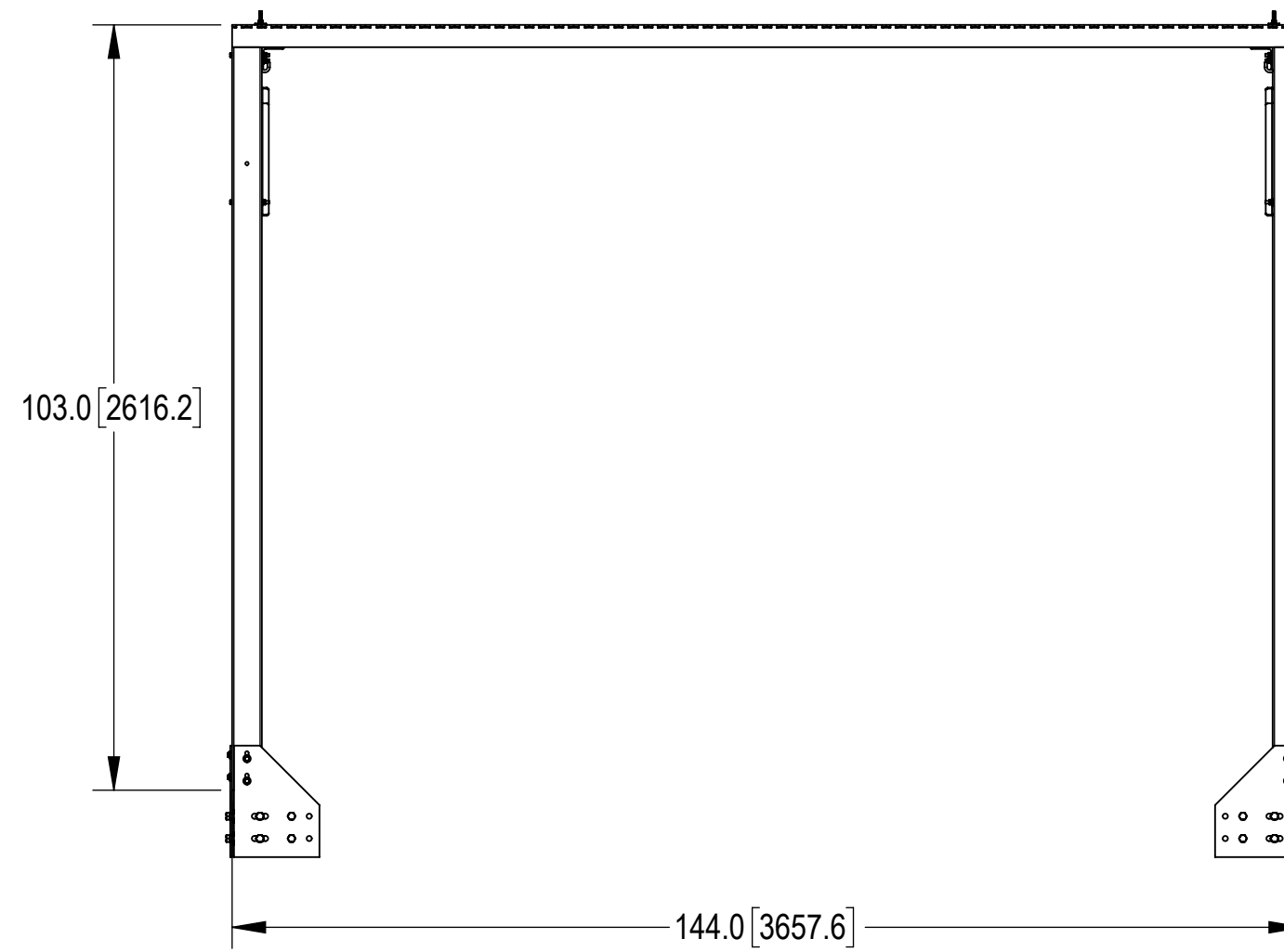
B

A

A



DETAIL A  
SCALE 1:8



COMPONENT PART NUMBERS PROVIDED FOR ASSEMBLY PURPOSES;  
INDIVIDUAL COMPONENTS MAY BE SHIPPED AS PARTS WITHIN AN INCLUDED KIT.

ITEM	PART NO.	DESCRIPTION	QTY.	WEIGHT	NOTE NO.
1	WB-CY212	SAFETY GRATING, 24" X 144"	4	96.36 LBS	
2	MTC4045C01	POST, 4 X 4 VERTICAL	4	51.35 LBS	
3	MTC4173-5000-00	10' ICE SHIELD SUPPORT BRACKET	2	30.44 LBS	
4	MTC4130-3000-00	CANOPY BRACE	4	6.52 LBS	
5	GJB0380	8" GALV J-BOLT KIT	16	0.23 LBS	
6	MT-387	SQUARE WASHER 1-1/2" X 1-1/2" W/ 7/16 HOLE	16	0.11 LBS	
7	MTC4169-2000-00	PLATE, CANOPY LEG SUPPORT	8	9.59 LBS	
8	GB-03505	3/8" X 5" GALV BOLT KIT	24	0.17 LBS	
9	GB-03125	3/8" X 1-1/4" GALV BOLT KIT	4	0.06 LBS	
10	GB-05165	5/8" X 1-3/4" GALV BOLT KIT	16	0.24 LBS	
11	GWF-03	3/8" GALV FLAT WASHER	28	0.01 LBS	
12	GWF-05	5/8" GALV FLAT WASHER, 1.70D	16	0.06 LBS	
13	GN-03	3/8" GALV HEX NUT	16	0.02 LBS	
14	GWL-03	3/8" GALV LOCK WASHER	16	0.01 LBS	
15	GB-05225	5/8" X 2-1/4" GALV BOLT KIT	16	0.28 LBS	

COMMSCOPE, INC. OF NORTH CAROLINA					
TITLE ICE CANOPY FOR EQ-P0812-B					
SIZE C	SCALE 1:24	DOCUMENT NO. EQ-P0812-B-IC-P			
DRAWING		REVISION		SHEET	
VERSION 00	STATUS RE	REVISION A	2 OF 4		

© 2024 CommScope, Inc. Confidential

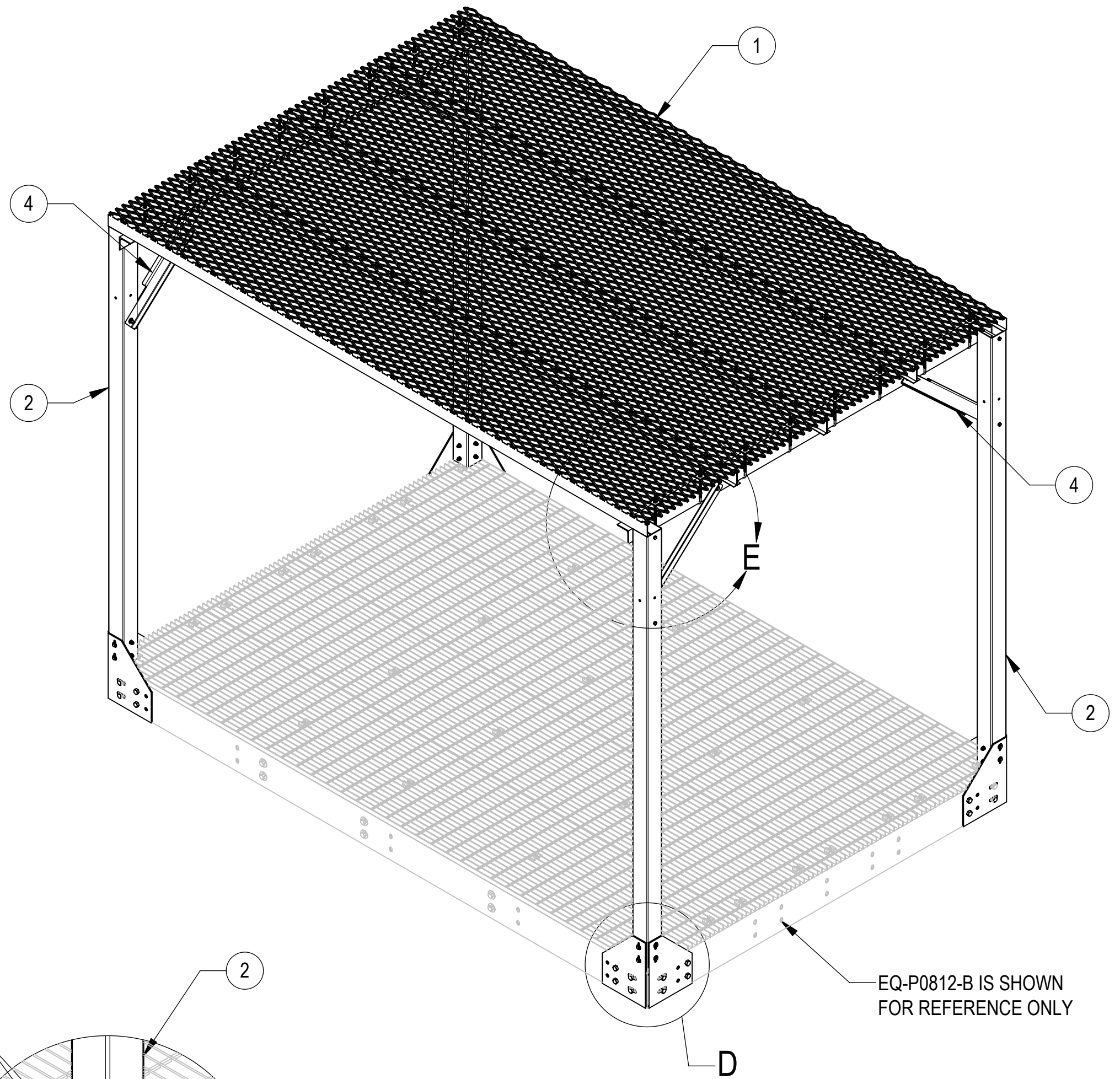
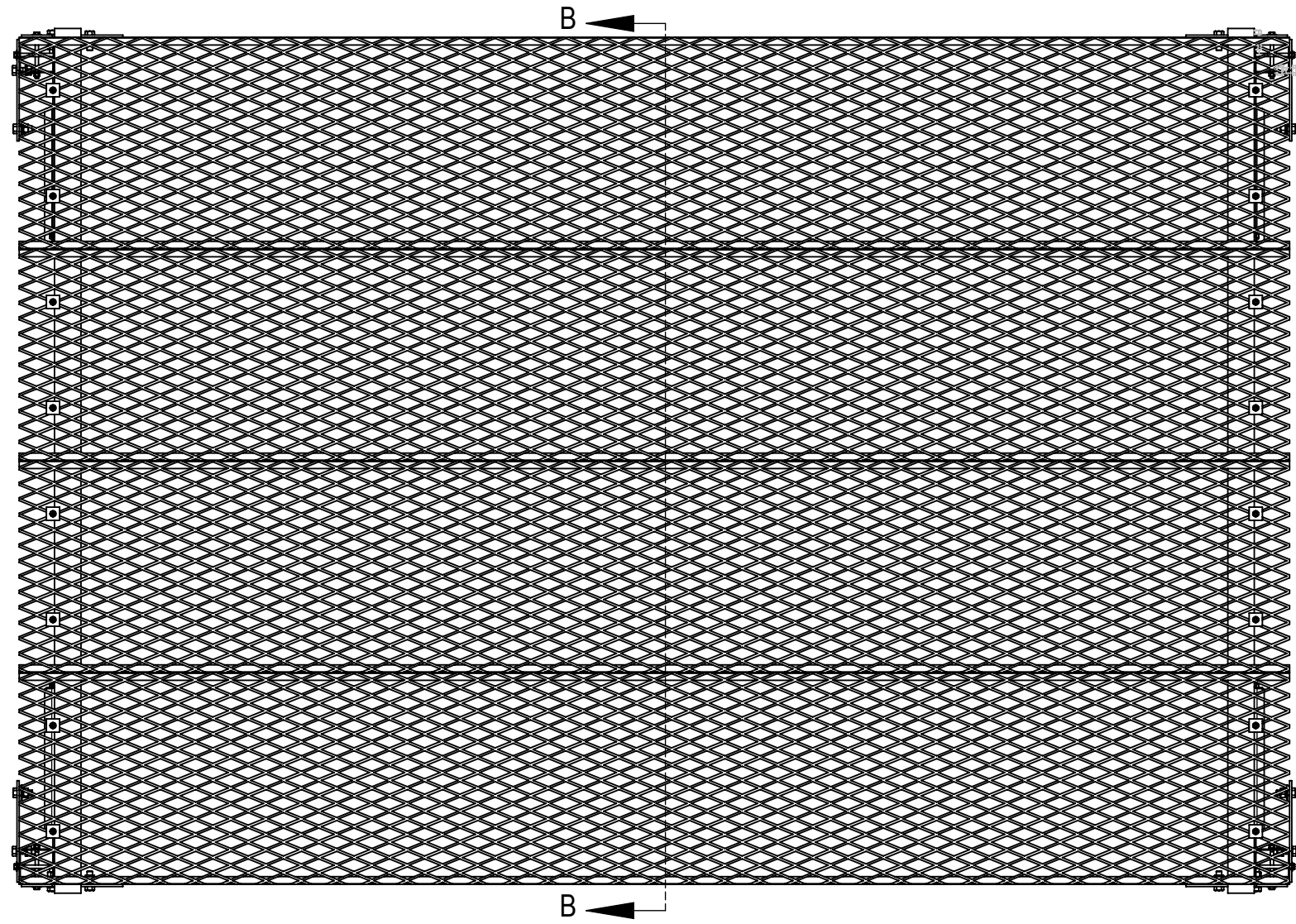
4

3

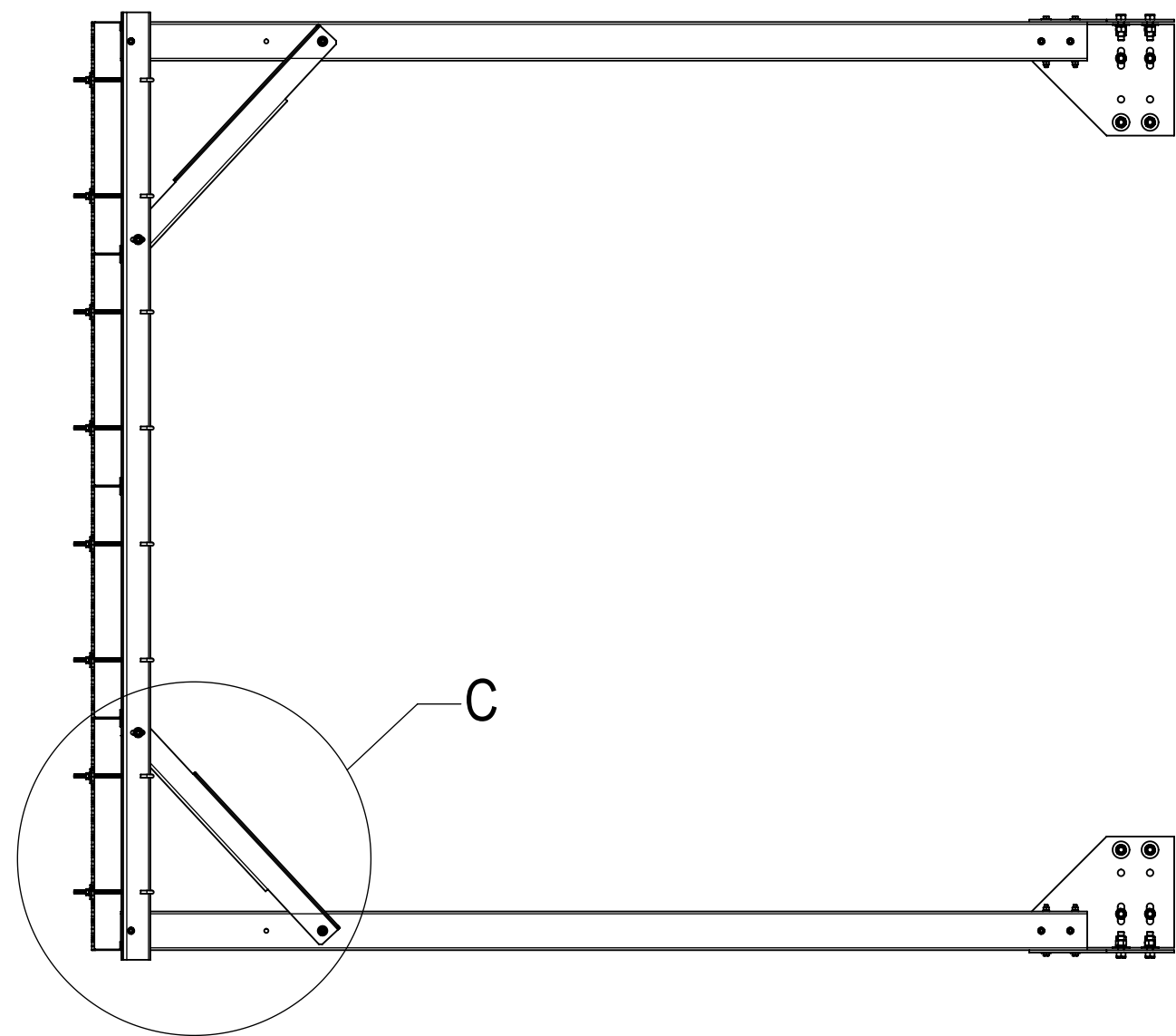
2

1

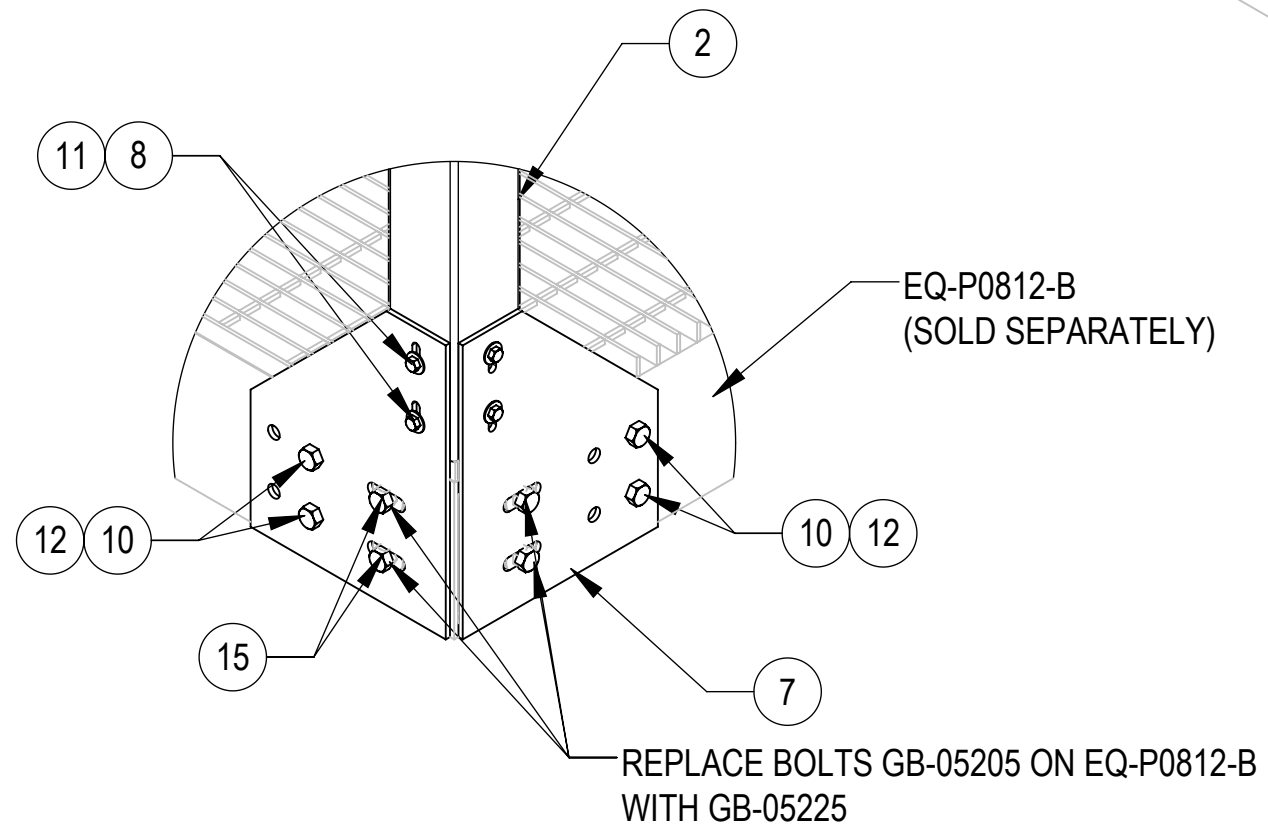




EQ-P0812-B IS SHOWN FOR REFERENCE ONLY



SECTION B-B  
SCALE 1 : 18



REPLACE BOLTS GB-05205 ON EQ-P0812-B WITH GB-05225

DETAIL D  
SCALE 1 : 8  
(4 PLACES)

COMMSCOPE, INC. OF NORTH CAROLINA					
TITLE ICE CANOPY FOR EQ-P0812-B					
SIZE C	SCALE 1:24	DOCUMENT NO. EQ-P0812-B-IC-P			
		DRAWING			SHEET
		VERSION	STATUS	REVISION	3 OF 4
		00	RE	A	

4

3

2

1

D

D

C

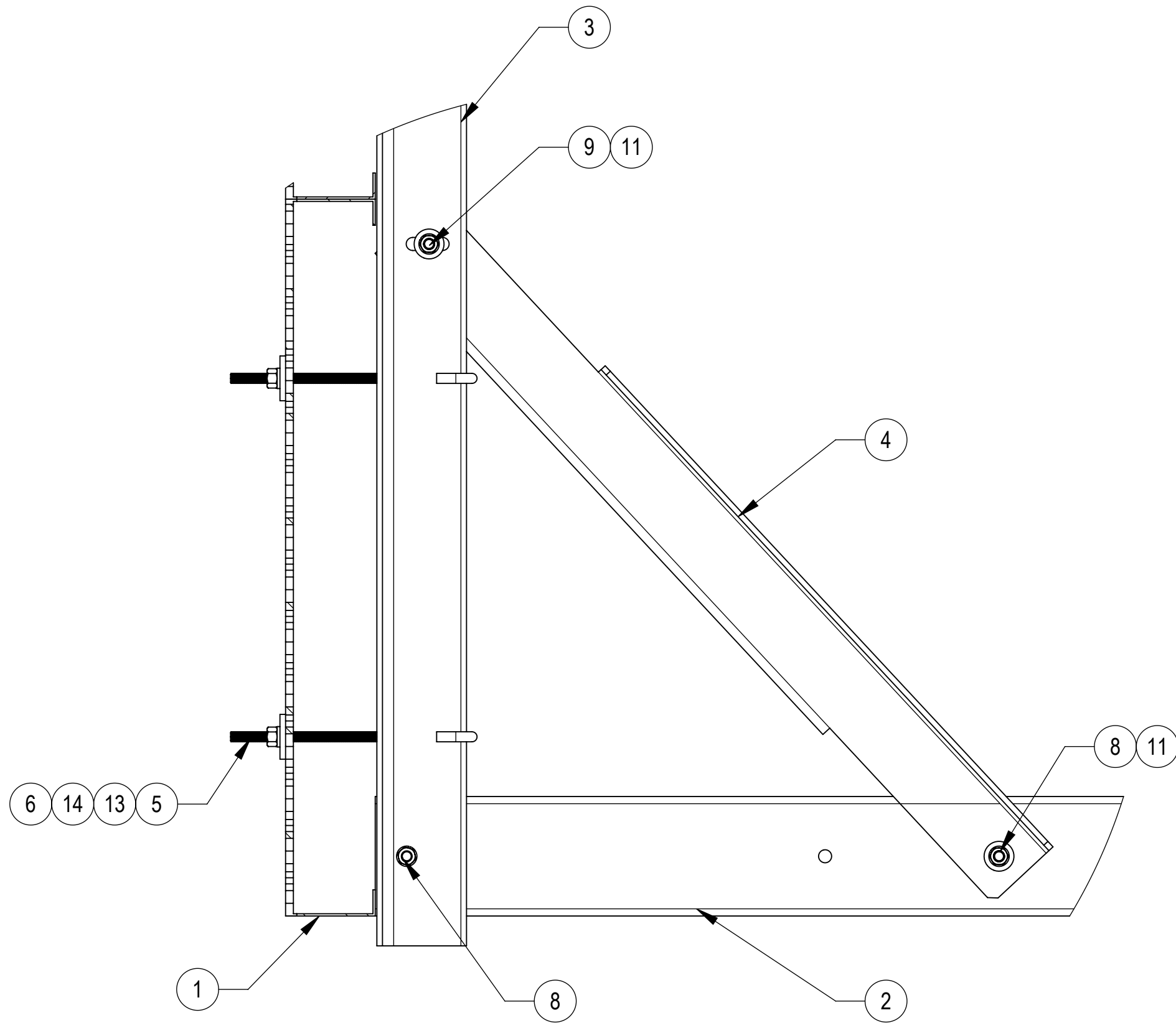
C

B

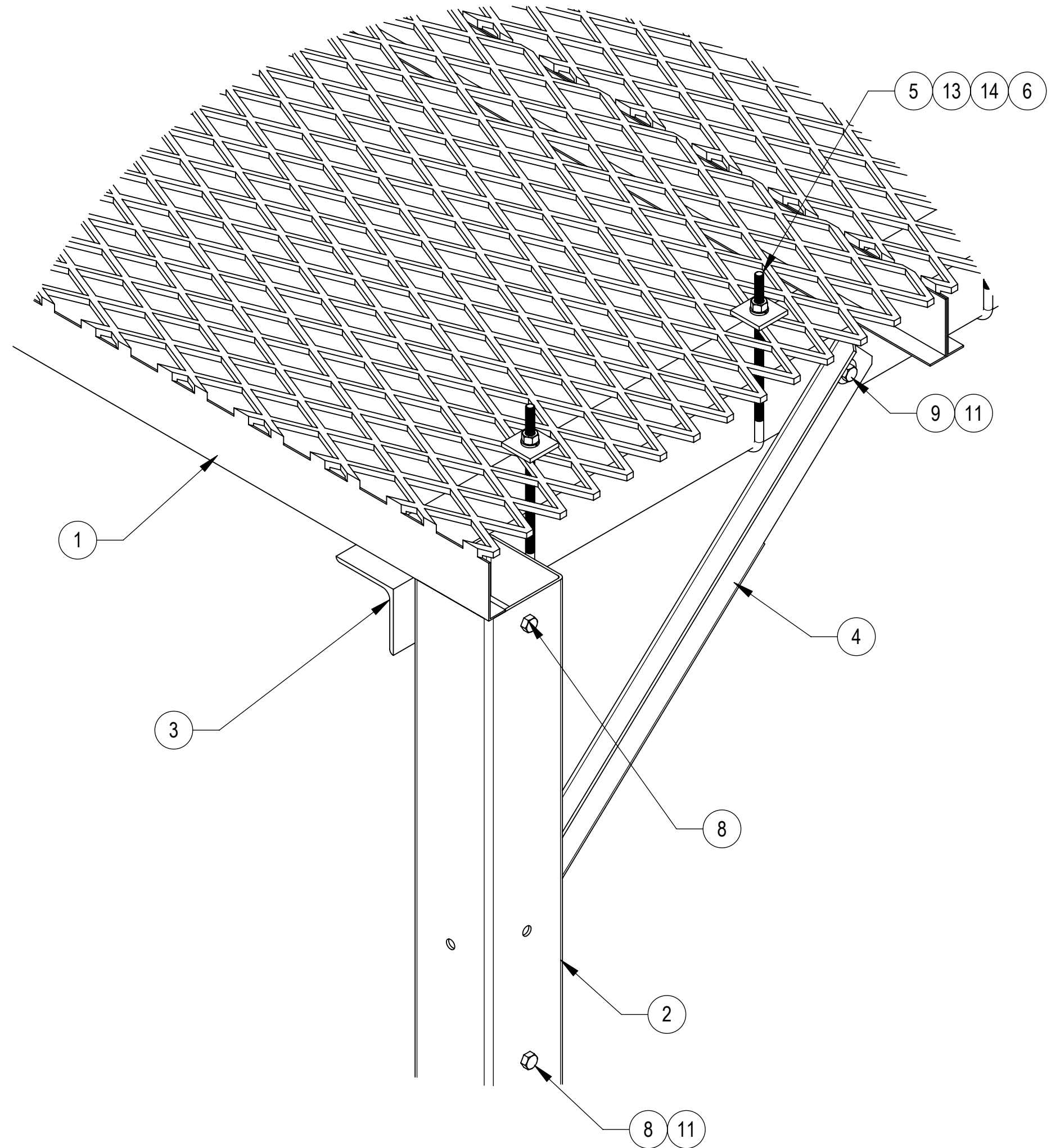
B

A

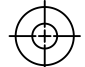
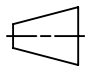
A



DETAIL C  
SCALE 1 : 4



DETAIL E  
SCALE 1 : 4

COMMSCOPE, INC. OF NORTH CAROLINA					
TITLE ICE CANOPY FOR EQ-P0812-B					
SIZE <b>C</b>	SCALE <b>1:24</b>	DOCUMENT NO. EQ-P0812-B-IC-P			
 		DRAWING			SHEET 4 OF 4
		VERSION 00	STATUS RE	REVISION A	