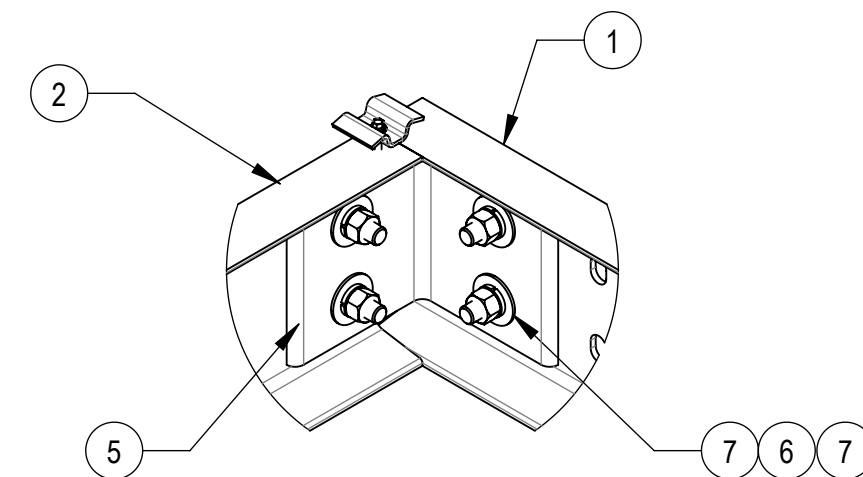
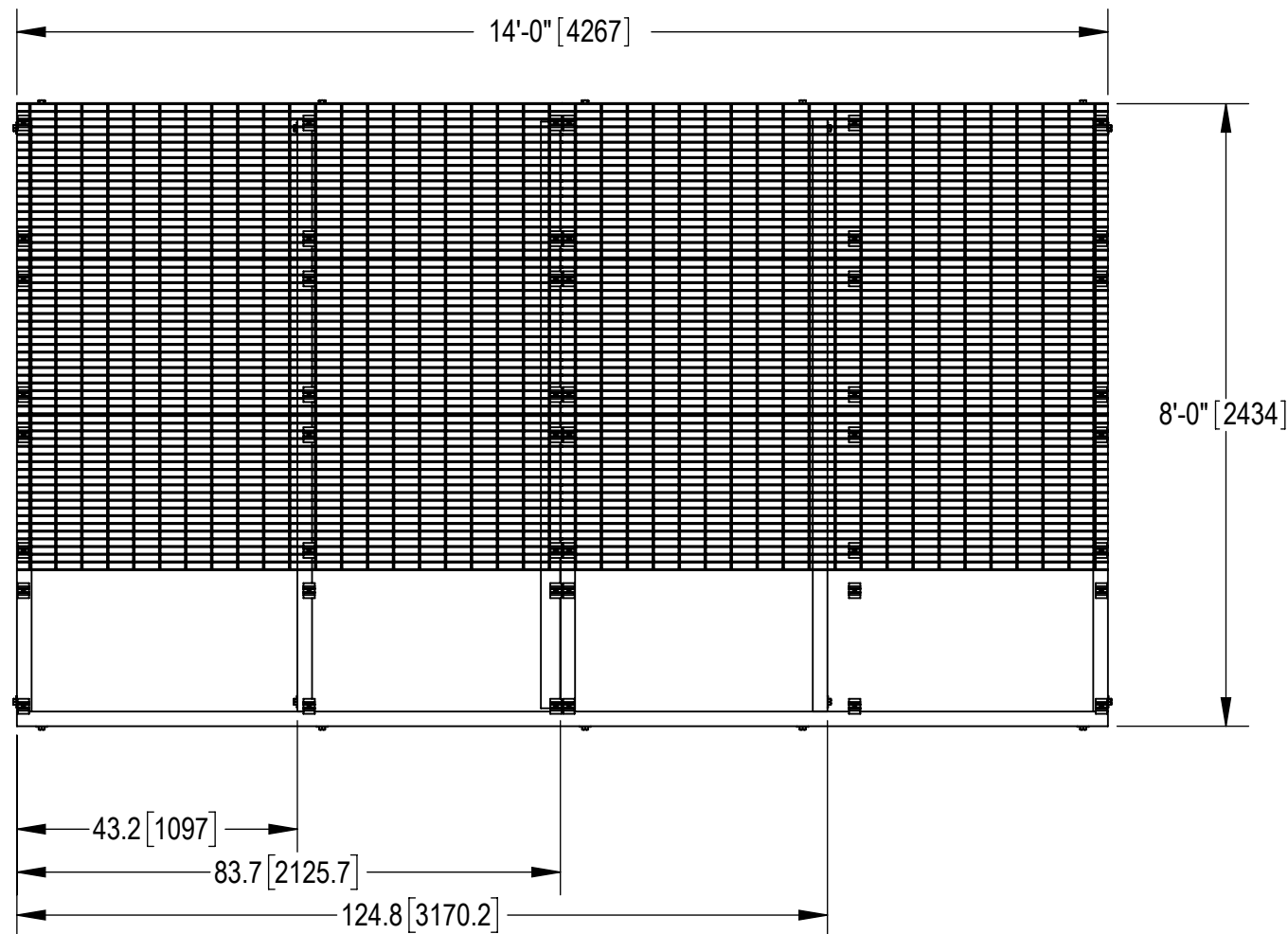
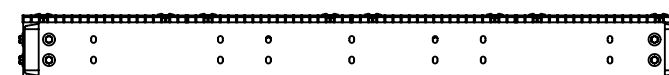
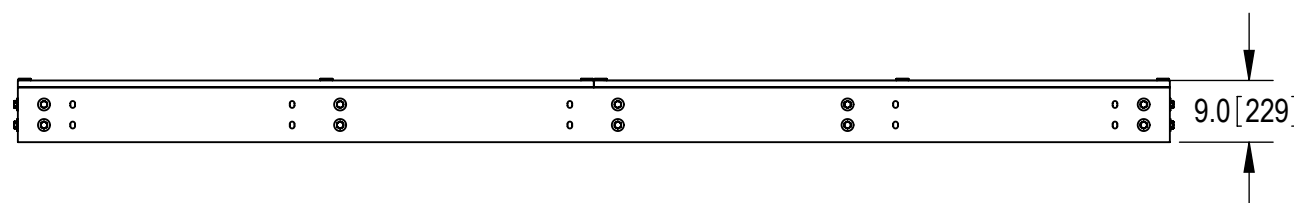
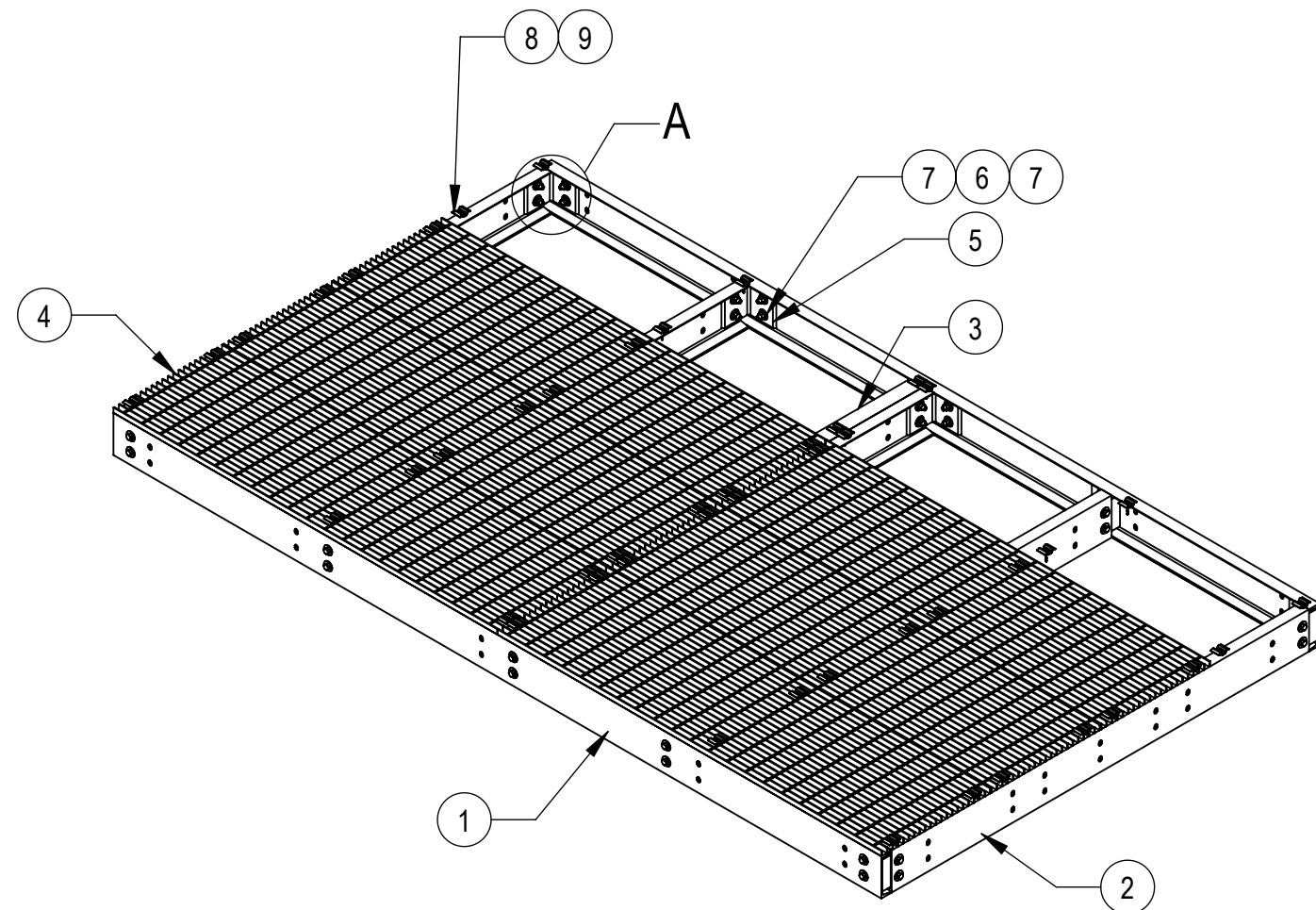


- 1.0 GENERAL NOTES
 1.1 ALL METRIC DIMENSIONS ARE IN BRACKETS [X.X]
 1.2 FOR PATENT INFO: <https://www.cs-pat.com>
 2.0 DESIGN NOTES
 3.0 MANUFACTURING/SPECIAL REQUIREMENTS
 3.1 TIGHTEN ALL BOLTS SECURING FLAT PLATES BY THE TURN-OF-NUT METHOD. TIGHTEN ALL U-BOLTS USING TURN-OF-NUT METHOD WITH ATTENTION TO LEAVE EQUAL DISTANCE AND EQUAL FORCE ON EACH LEG OF THE U-BOLT.
 3.2 BAR GRATING ALIGNED ACROSS CENTER CHANNELS.
 4.0 TEST
 5.0 PACKAGING
 5.1 PACKAGING SHALL MEET COMMSCOPE REQUIREMENTS PER DOCUMENT IS-PL-3005
 5.2 PRINTED DOCUMENT TO BE PLACED INSIDE POLYBAG AND THEN IN SHIPPING CONTAINER
 5.3 EXTRA HARDWARE MAY BE SUPPLIED, BAGGED AND SHIPPED
 5.4 UP TO 5% ADDITIONAL HARDWARE INCLUDED

REVISIONS			
REV.	DESCRIPTION	DATE	APPROVED
A	INITIAL RELEASE	MSM 18FEB11	TP
B	UPDATE BOM AND WEGHTS	MSM 04APR12	TP
C	UPDATED DRAWING FORMAT; MTC390324 AND TS1220 WAS GCM03	LL1090 06MAR24	BCROSS 40190172CMO



DETAIL A
SCALE 1 : 6



COMPONENT PART NUMBERS PROVIDED FOR ASSEMBLY PURPOSES;
 INDIVIDUAL COMPONENTS MAY BE SHIPPED AS PARTS WITHIN AN INCLUDED KIT.

ITEM NO.	PART NUMBER	DESCRIPTION	QTY.	WEIGHT	NOTE NO.
1	MTC7902141401	14' SIDE CHANNEL	2	159.09 LBS	
2	MTC7902080801	8' CENTER CHANNEL	5	86.21 LBS	
3	MTC7902080804	8' GRATING SECTION BRACKET	1	42.93 LBS	
4	MTC7902040703	24" X 84" BAR GRATING	8	99.01 LBS	
5	MTC790203	CHANNEL ADAPTER ANGLE	10	7.07 LBS	
6	GB-05205	5/8" X 2" GALV BOLT KIT	42	0.26 LBS	
7	GW-05	5/8" GALV FLAT WASHER, 1.70D	84	0.06 LBS	
8	MTC390324	BAR GRATING CLIP	48	0.17 LBS	
9	TS1220	12-24 X 2" SELF DRILLING SCREW	48	0.03 LBS	

DENSITY	1684.60	lbs/in ³
MASS	5978.17	lbs
VOLUME	59611.63	in ³
SURFACE AREA	96.0"	in ²
HEIGHT	168.0"	
LENGTH	96.0"	
WIDTH		

© 2024 CommScope, Inc. Confidential

HIDE BAR GRATING FOR CLARITY

COMMSCOPE, INC. OF NORTH CAROLINA

TOLERANCES		SAP MATERIAL MASTER							
1 PLACE .X[X] ± 0.2[5.0]	3 PLACE .XXX[X] ± 0.03[0.8]	EQ-P0814-B							
2 PLACE .XX[X] ± 0.06[1.5]	ANGLES ± 2°								
FINISH		MATERIAL							
UNLESS OTHERWISE SPECIFIED DIMENSIONS ARE IN INCHES INTERPRET PER ANSI Y 14.5M-1994		TITLE							
CE	MSM	18FEB11	8' X 14' PLATFORM BASE						
RW	LL1090	03/14/2024							
AD	YW1045	03/18/2024							
RE	YMENG	04/02/2024							
ECN 40190172CMO		SCALE	DOCUMENT NO.						
		1:32	EQ-P0814-B						
SIZE	Auth Group	INSL	MODEL						
C			VERSION	STATUS	REVISION	VERSION	STATUS	REVISION	SHEET
			01	RE	C	01	RE	C	1 OF 1