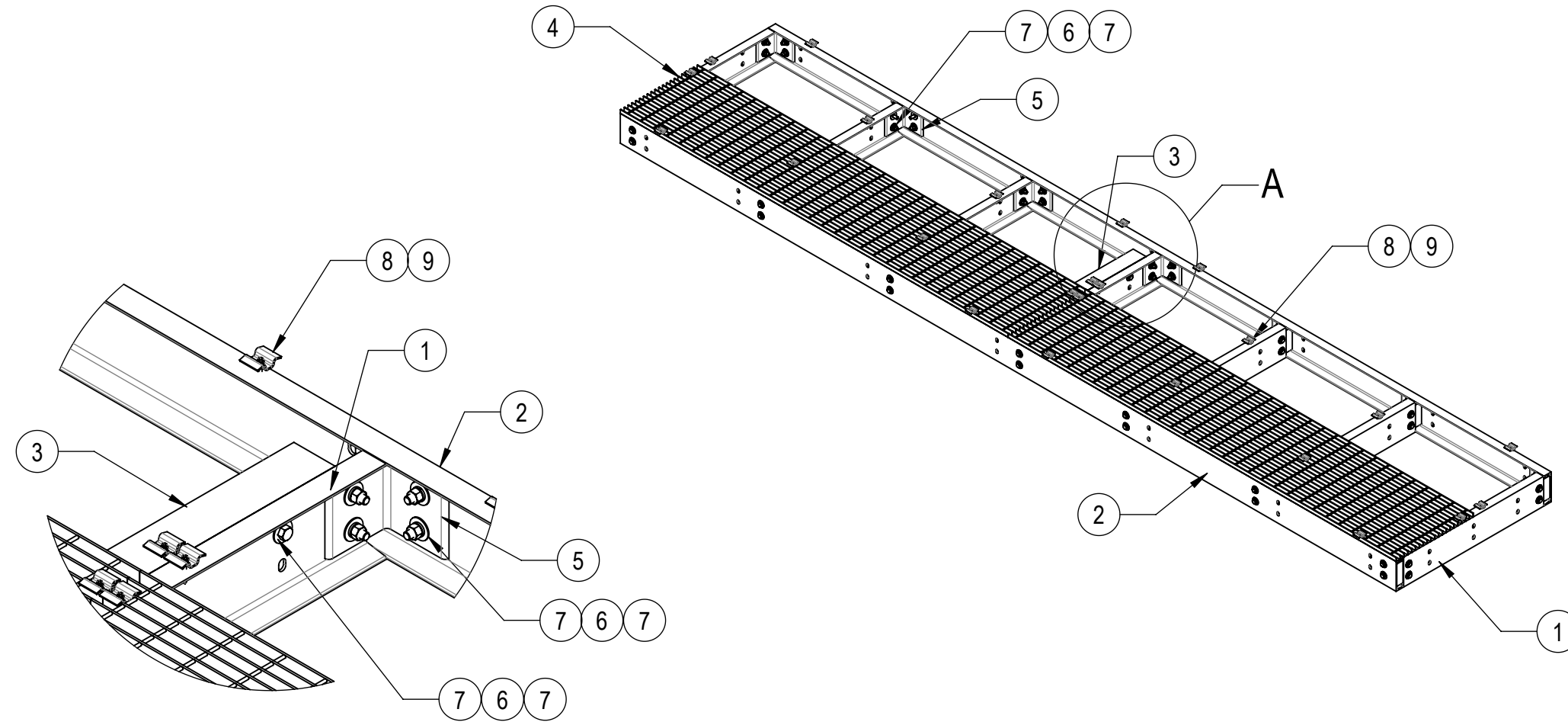
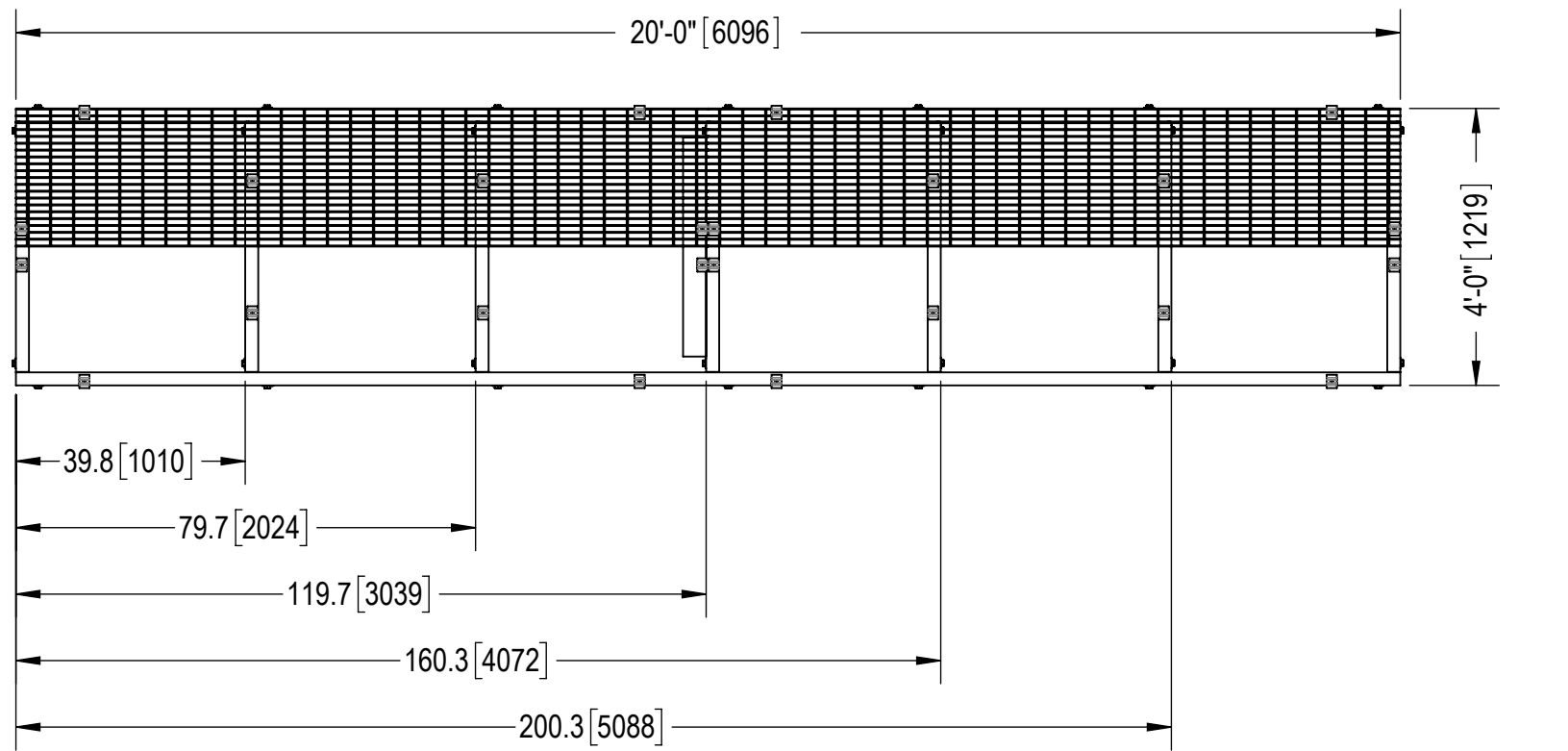
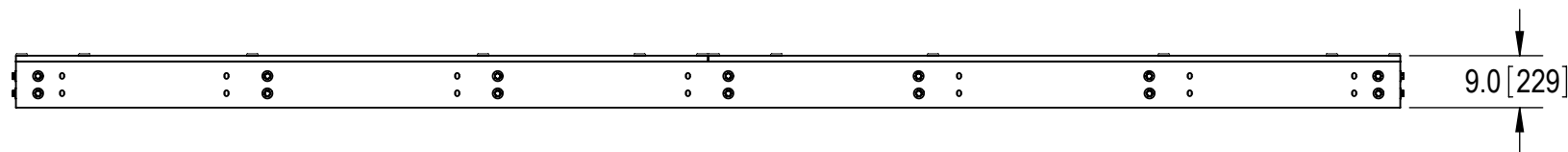


- 1.0 GENERAL NOTES  
 1.1 ALL METRIC DIMENSIONS ARE IN BRACKETS [X.X]  
 1.2 FOR PATENT INFO: <https://www.cs-pat.com>  
 2.0 DESIGN NOTES  
 3.0 MANUFACTURING/SPECIAL REQUIREMENTS  
 3.1 TIGHTEN ALL BOLTS SECURING FLAT PLATES BY THE TURN-OF-NUT METHOD. TIGHTEN ALL U-BOLTS USING TURN-OF-NUT METHOD WITH ATTENTION TO LEAVE EQUAL DISTANCE AND EQUAL FORCE ON EACH LEG OF THE U-BOLT.  
 3.2 BAR GRATING ALIGNED ACROSS CENTER CHANNELS.  
 4.0 TEST  
 5.0 PACKAGING  
 5.1 PACKAGING SHALL MEET COMMSCOPE REQUIREMENTS PER DOCUMENT IS-PL-3005  
 5.2 PRINTED DOCUMENT TO BE PLACED INSIDE POLYBAG AND THEN IN SHIPPING CONTAINER  
 5.3 EXTRA HARDWARE MAY BE SUPPLIED, BAGGED AND SHIPPED

REVISIONS			
REV.	DESCRIPTION	DATE	APPROVED
A	INITIAL RELEASE	MSM 04APR12	04/04/12
B	UPDATED DRAWING FORMAT; MTC390324 AND TS1220 WAS GCM03	LL1090 05APR24	BCROSS 40190172CMO



DETAIL A  
SCALE 1 : 10



COMPONENT PART NUMBERS PROVIDED FOR ASSEMBLY PURPOSES;  
INDIVIDUAL COMPONENTS MAY BE SHIPPED AS PARTS WITHIN AN INCLUDED KIT.

ITEM NO.	PART NUMBER	DESCRIPTION	QTY.	WEIGHT	NOTE NO.
1	MTC7902040702	4' CENTER CHANNEL	7	40.85 LBS	
2	MTC7902102001	20' SIDE CHANNEL	2	227.29 LBS	
3	MTC7902042002	GRATING SECTION BRACKET 4' WIDE PLATFORM	1	20.70 LBS	
4	MTC917009	24" X 120" BAR GRATING	4	141.45 LBS	
5	MTC790203	CHANNEL ADAPTER ANGLE	14	7.07 LBS	
6	GB-05205	5/8" X 2" GALV BOLT KIT	59	0.26 LBS	
7	GWF-05	5/8" GALV FLAT WASHER, 1.7OD	118	0.06 LBS	
8	MTC390324	BAR GRATING CLIP	24	0.17 LBS	
9	TS1220	12-24 X 2" SELF DRILLING SCREW	24	0.03 LBS	

DENSITY	MASS	VOLUME	SURFACE AREA
	1459.10	5177.91	48968.70
lbs/in <sup>3</sup>	lbs	in <sup>3</sup>	in <sup>2</sup>
HEIGHT	LENGTH	WIDTH	
9.0"	240.0"	48.0"	

HIDE BAR GRATING FOR CLARITY

**COMMSCOPE, INC. OF NORTH CAROLINA**

TOLERANCES  
 1 PLACE .X[X] ± 0.12[3.0]    3 PLACE .XXX[X] ± 0.03[0.8]  
 2 PLACE .XX[X] ± 0.06[1.5]    ANGLES ± 2°

SAP MATERIAL MASTER  
**EQ-P0420-B**

FINISH: \_\_\_\_\_ MATERIAL: \_\_\_\_\_

NAME	DATE	TITLE
CE MSM	04APR12	4' X 20' EQUIPMENT PLATFORM BASE
RW LL1090	03/15/2024	
AD YW1045	03/18/2024	
RE YMENG	04/02/2024	

SCALE: **1:32** DOCUMENT NO.: **EQ-P0420-B**

ECN 40190172CMO

SIZE	Auth Group	INSL	MODEL	DRAWING			SHEET		
<b>C</b>			VERSION	STATUS	REVISION	VERSION	STATUS	REVISION	1 OF 1
			01	RE	B	01	RE	B	