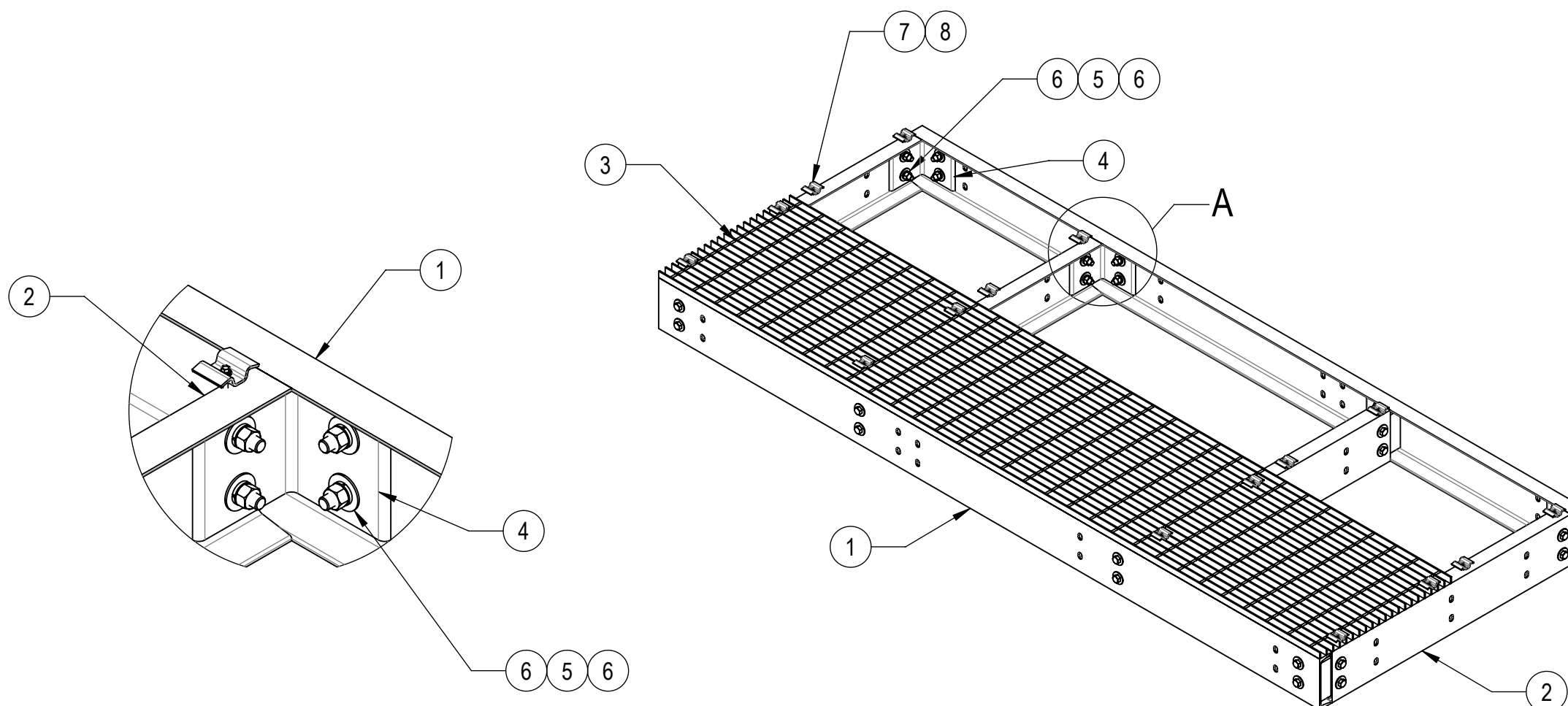
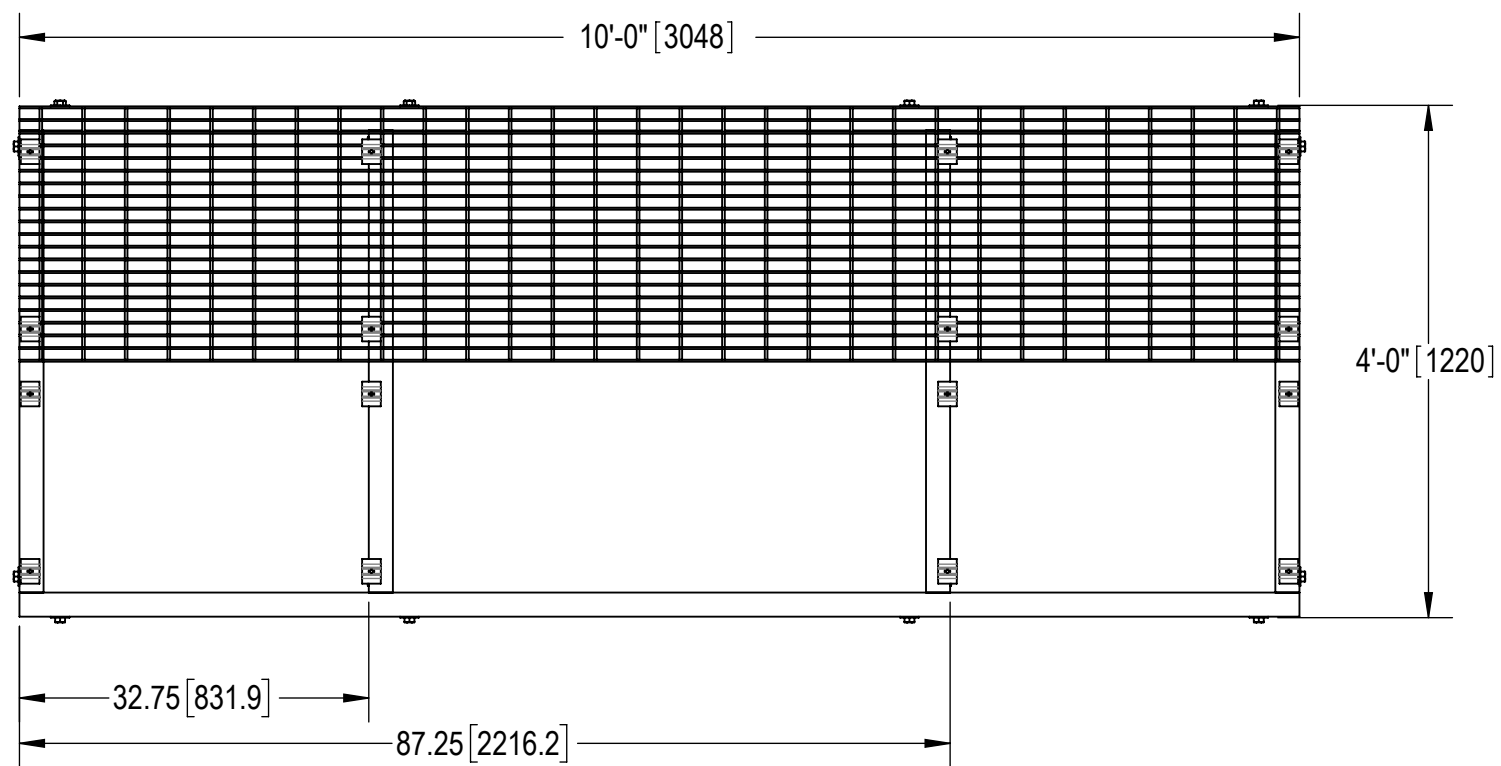
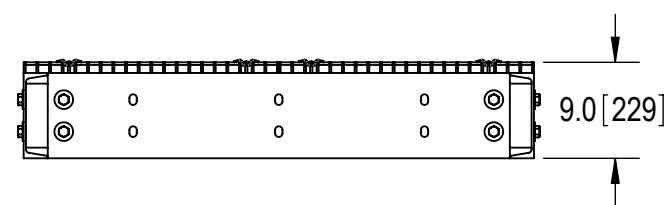
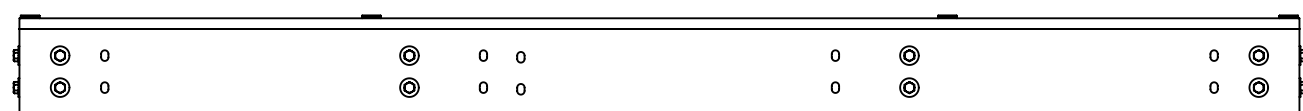


- 1.0 GENERAL NOTES
 - 1.1 ALL METRIC DIMENSIONS ARE IN BRACKETS [X.X]
 - 1.2 FOR PATENT INFO: <https://www.cs-pat.com>
- 2.0 DESIGN NOTES
- 3.0 MANUFACTURING/SPECIAL REQUIREMENTS
 - 3.1 TIGHTEN ALL BOLTS SECURING FLAT PLATES BY THE TURN-OF-NUT METHOD. TIGHTEN ALL U-BOLTS USING TURN-OF-NUT METHOD WITH ATTENTION TO LEAVE EQUAL DISTANCE AND EQUAL FORCE ON EACH LEG OF THE U-BOLT.
 - 3.2 BAR GRATING ALIGNED ACROSS CENTER CHANNELS.
- 4.0 TEST
- 5.0 PACKAGING
 - 5.1 PACKAGING SHALL MEET COMMSCOPE REQUIREMENTS PER DOCUMENT IS-PL-3005
 - 5.2 PRINTED DOCUMENT TO BE PLACED INSIDE POLYBAG AND THEN IN SHIPPING CONTAINER
 - 5.3 EXTRA HARDWARE MAY BE SUPPLIED, BAGGED AND SHIPPED

REVISIONS			
REV.	DESCRIPTION	DATE	APPROVED
A	INITIAL RELEASE	MSM 04AUG11	TP
B	UPDATED DRAWING FORMAT; MTC390324 AND TS1220 WAS GCM03	LL1090 04MAR24	BCROSS 40190172CMO



DETAIL A
SCALE 1 : 6



HIDE BAR GRATING FOR CLARITY

COMPONENT PART NUMBERS PROVIDED FOR ASSEMBLY PURPOSES;
INDIVIDUAL COMPONENTS MAY BE SHIPPED AS PARTS WITHIN AN INCLUDED KIT.

ITEM	PART NO.	DESCRIPTION	QTY.	WEIGHT	NOTE NO.
1	MTC7902101001	SIDE CHANNEL C8 X 11.5#	2	113.50 LBS	
2	MTC7902040702	4' CENTER CHANNEL	4	40.85 LBS	
3	MTC7902081001	24" X 120" BAR GRATING	2	141.45 LBS	
4	MTC790203	CHANNEL ADAPTER ANGLE	8	7.07 LBS	
5	GB-05205	5/8" X 2" GALV BOLT KIT	32	0.26 LBS	
6	GWf-05	5/8" GALV FLAT WASHER, 1.7OD	64	0.06 LBS	
7	MTC390324	BAR GRATING CLIP	16	0.17 LBS	
8	TS1220	12-24 X 2" SELF DRILLING SCREW	16	0.03 LBS	

DENSITY		lbs/in ³
MASS	748.39	lbs
VOLUME	2655.81	in ³
SURFACE AREA	24960.10	in ²
HEIGHT	9.0"	
LENGTH	120.0"	
WIDTH	48.0"	

COMMSCOPE, INC. OF NORTH CAROLINA												
TOLERANCES						SAP MATERIAL MASTER						
1 PLACE .X[X] ± 0.12[3.0]			3 PLACE .XXX[X] ± 0.03[0.8]			EQ-P0410-B						
2 PLACE .XX[X] ± 0.06[1.5]			ANGLES ± 2°									
FINISH						MATERIAL						
4' X 10' EQUIPMENT PLATFORM												
UNLESS OTHERWISE SPECIFIED DIMENSIONS ARE IN INCHES INTERPRET PER ANSI Y 14.5M-1994												
		NAME		DATE		TITLE						
CE		MSM		04AUG11		EQ-P0410-B						
RW		LL1090		03/11/2024								
AD		YW1045		03/18/2024								
RE		YMENG		04/02/2024								
ECN		40190172CMO				SCALE		DOCUMENT NO.				
						1:18						
SIZE		Auth Group		INSL		MODEL			DRAWING			SHEET
C		⊕		◁		VERSION			REVISION			1 OF 1
						01			RE B			