



FOSC® 450 B6 Fiber Optic Splice Closure, Gel Cable sealing, with pre-installed A/B ribbon tray, 6 cable attachments, with test valve, Build America Buy America (BABA)

- Single-ended, O-ring sealed dome closure for splicing feeder and distribution cables
- Gel cable sealing technology allows easy adding or removing of a wide size range of cables
- Compatible with most common cable types: e.g. loose tube, central core, ribbon fiber
- FOSC splice trays hinged for access to any splice without disturbing other trays
- Closure can be used in aerial, pedestal and underground (up to 5 meters) environments
- Compatible with CommScope's CWDM modules and optical splitter trays
- \*CommScope intends to release this product at a future date. At such time, this product will comply with the requirements of the Build America, Buy America Act and/or applicable waivers. Compliance requirements and waiver applicability vary based on government funding program. Check the laws and regulations for your specific program.

## Product Classification

|                              |   |
|------------------------------|---|
| <b>Regional Availability</b> | Latin America   North America                 |
| <b>Product Type</b>          | Single-ended, round fiber closure             |
| <b>Product Brand</b>         | FOSC®   |
| <b>Product Series</b>        | FOSC 450                                      |
| <b>Government Funding</b>    | Build America Buy America (BABA) coming soon* |

## General Specifications

|                                    |                                |
|------------------------------------|--------------------------------|
| <b>Cable Entry Drop Port Style</b> | Round                          |
| <b>Cable Entry Main Port Style</b> | Round                          |
| <b>Cable Ports Quantity, total</b> | 6 round ports                  |
| <b>Cable Sealing Type</b>          | Compressed gel                 |
| <b>Closure Sealing Type</b>        | Dome-to-base clamp with O-ring |
| <b>Closure Style</b>               | Single-ended                   |
| <b>Color</b>                       | Black                          |
| <b>Fiber Storage Basket Type</b>   | B6, BS standard size           |
| <b>Flash Test Valve</b>            | Pre-installed                  |
| <b>Ground Feed-through</b>         | None                           |
| <b>Mounting</b>                    | Pole   Strand   Wall           |
| <b>Network Area Type</b>           | Feeder                         |

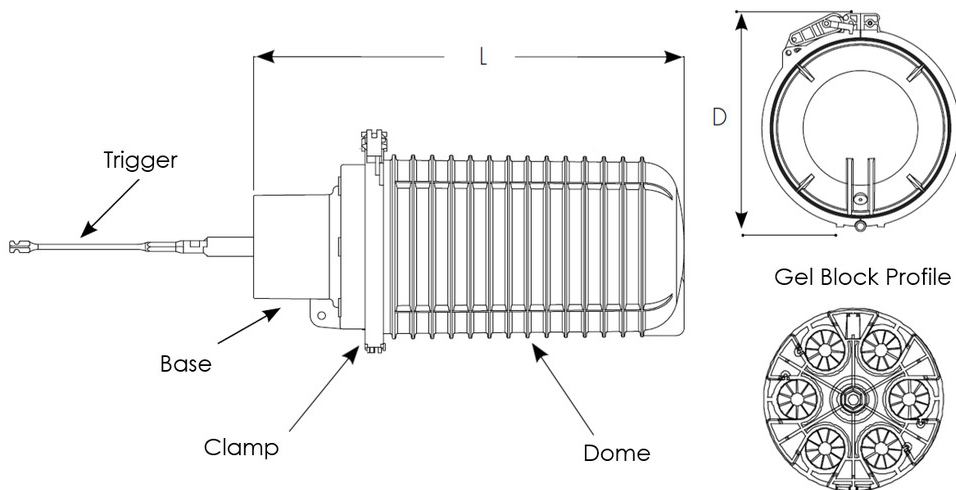
# 624741-000-US | FOSC450-B6-6-R1-1-BOV-US

|   |                             |
|---|-----------------------------|
| <b>Splice Tray Included, quantity</b>                       | 1                           |
| <b>Splice Tray Type Included</b>                            | 12-way, ribbon              |
| <b>Splicing Capacity, Mass Fusion, maximum</b>              | 288                         |
| <b>Splicing Capacity, Single Fusion, maximum</b>            | 144                         |
| <b>Splicing Capacity, Single Splice, 12 fibers, maximum</b> | 144                         |
| <b>Splicing Capacity, Single Splice, 6 fibers, maximum</b>  | 72                          |
| <b>Splicing Type, Supported</b>                             | Mass fusion   Single fusion |

## Dimensions

|                                     |                    |
|-------------------------------------|--------------------|
| <b>Length</b>                       | 610 mm   24.016 in |
| <b>Diameter</b>                     | 254 mm   10 in     |
| <b>Diameter, with clamp</b>         | 291 mm   11.457 in |
| <b>Main Cable Diameter, maximum</b> | 25 mm   0.984 in   |

## Dimension Drawing



## Ordering Tree

# 624741-000-US | FOSC450-B6-6-R1-1-BOV-US

## FOSC 450 - XX - X - XX - X - X X X

### Closure Size (inches)

|    |  |
|----|--|
| A4 | 4 cable entry ports; 8 dia. x 19 long    |
| BS | 6 cable entry ports; 9 dia. x 19.5 long  |
| B6 | 6 cable entry ports; 10 dia. x 24 long   |
| C6 | 6 cable entry ports; 11.5 dia. x 23 long |
| D6 | 6 cable entry ports; 11.5 dia. x 30 long |

### Termination Hardware Quantity for the Kit

|   |   |
|---|---|
| 2 | 2 cable attachments included                  |
| 4 | 4 cable attachments included                  |
| 6 | 6 cable attachments included (N/A for A size) |

### Capacity and Type of Splice Tray

|     |  |
|-----|--|
| NT  | No tray installed in factory                               |
| 12  | A, B, or C tray with two SM6 splice modules                |
| 24* | A, B, or C tray with two SM12 splice modules               |
| 36  | D tray with six SM6 splice modules                         |
| 72* | D tray with six SM12 splice modules                        |
| R1  | A, B size ribbon tray (accommodates 12 ribbons/144 fibers) |
| R2  | D size ribbon tray (24 ribbons/288 fibers)                 |
| R3  | C size ribbon tray (18 ribbons/216 fibers)                 |
| SF  | Stackable single fusion trays (12 splices)                 |

\*Note: SMOUV (1120-01) splice protection sleeves are highly recommended for use with SM12 splice modules.

### Quantity of Splice Trays Factory Installed

|                    |   |
|--------------------|---|
| 0 or 1 is standard | Choose either "0" trays (no trays installed) or "1" tray installed. Additional trays sold separately. |
|--------------------|---|

### Valve for Flash Testing

|   |                  |
|---|------------------|
| V | Valve (standard) |
| N | No Valve         |

Note: We recommend flash test valves for FOSC closures. However, non-valved closures are available upon request.

### Number of Ground Feed-through Lugs

|   |   |
|---|---|
| 0 | No grounding  |
| 1 | 1 ground feed-through lug (A4 only, N/A for BS)                       |
| 3 | 3 ground feed-through lugs (B6, C6, and D6 closures only, N/A for BS) |
| 6 | 6 ground feed-through lugs (C6 and D6 closure only, N/A for BS)       |

Note: FEG and MEG kits provide optional ground isolation for FOSC 450 closures.

### Slack Basket Type

|   |   |
|---|---|
| N | No Basket   |
| A | A4 Standard Size  |
| B | B6, BS Standard Size  |
| C | C6 Standard Size  |
| D | D6 Standard Size  |
| E | Special Bulkhead Basket arrangement for B, BS closures only |
| T | Tall Size   |
| S | Stackable Trays in D Closure                                |

Note: D-size closures with "N" option include backbone used to route ribbons to ribbon trays. A and B-size closures include storage "socks".

## Material Specifications

### Material Type

Impact-resistant polymer

## Environmental Specifications

### Environmental Space

Below ground | Buried

### Qualification Standards

IEC 61300, 5 m waterhead

### Water Resistance

Flash test valve at 5 psi (40 kPa)

## Packaging and Weights

### Packaging quantity

1

### Packaging Type

Box | Carton

### Weight, net

5.9 kg | 13.007 lb

## Regulatory Compliance/Certifications

**Agency****Classification**

CHINA-ROHS

Below maximum concentration value

ISO 9001:2015

Designed, manufactured and/or distributed under this quality management system

REACH-SVHC

Compliant as per SVHC revision on [www.commscope.com/ProductCompliance](http://www.commscope.com/ProductCompliance)

ROHS

Compliant

UK-ROHS

Compliant

