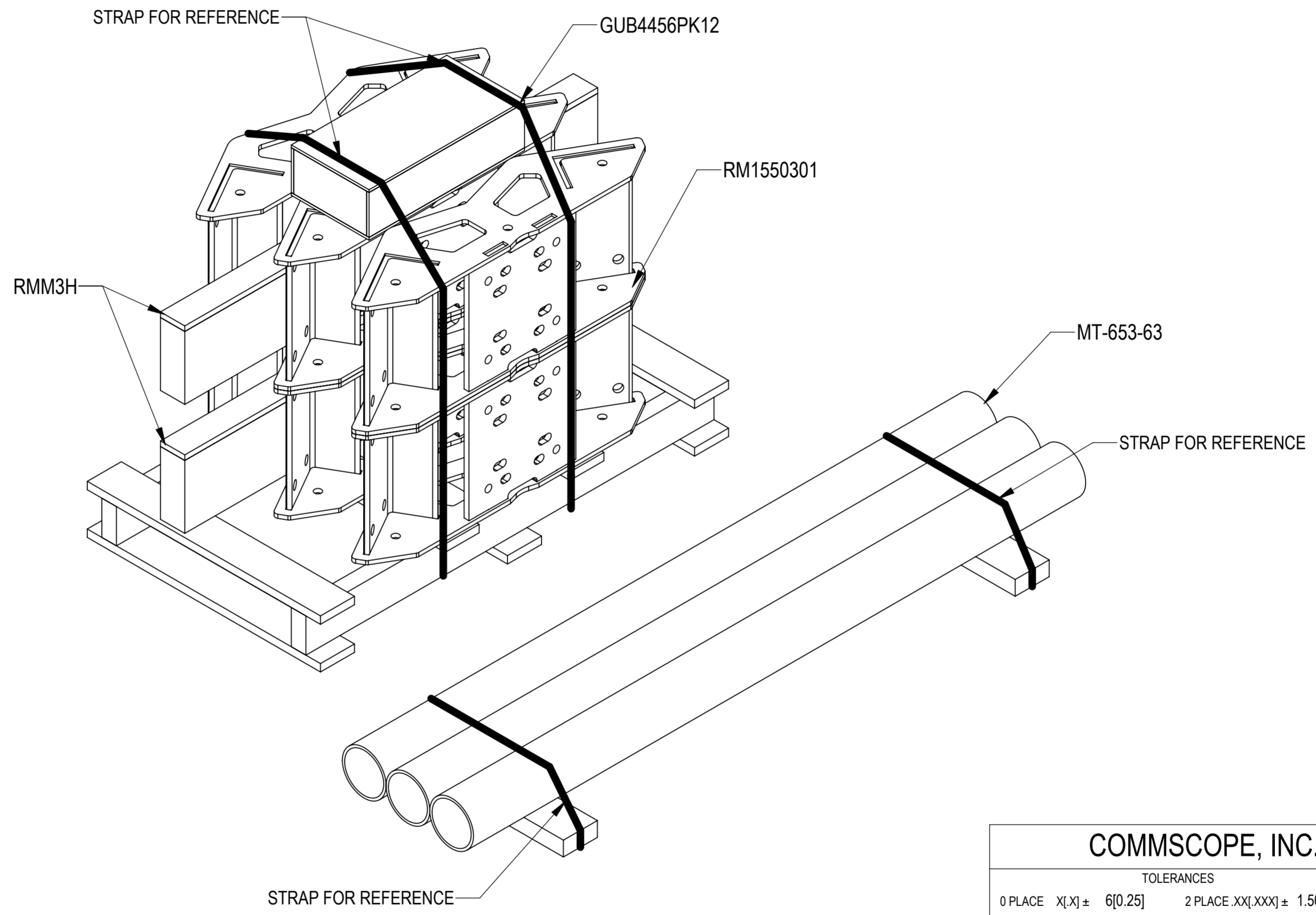


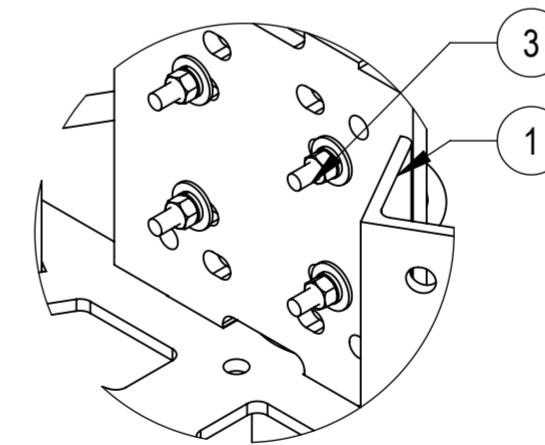
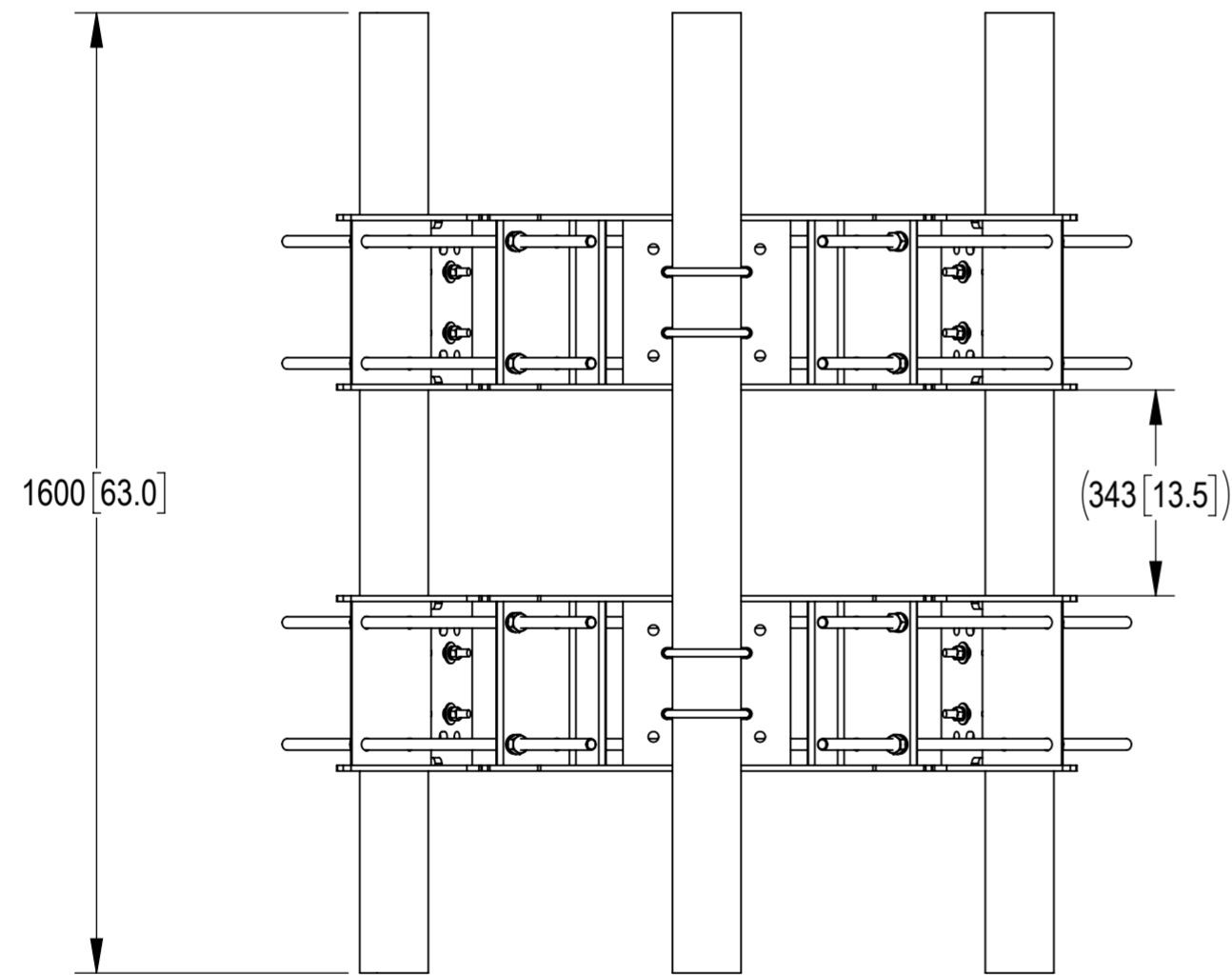
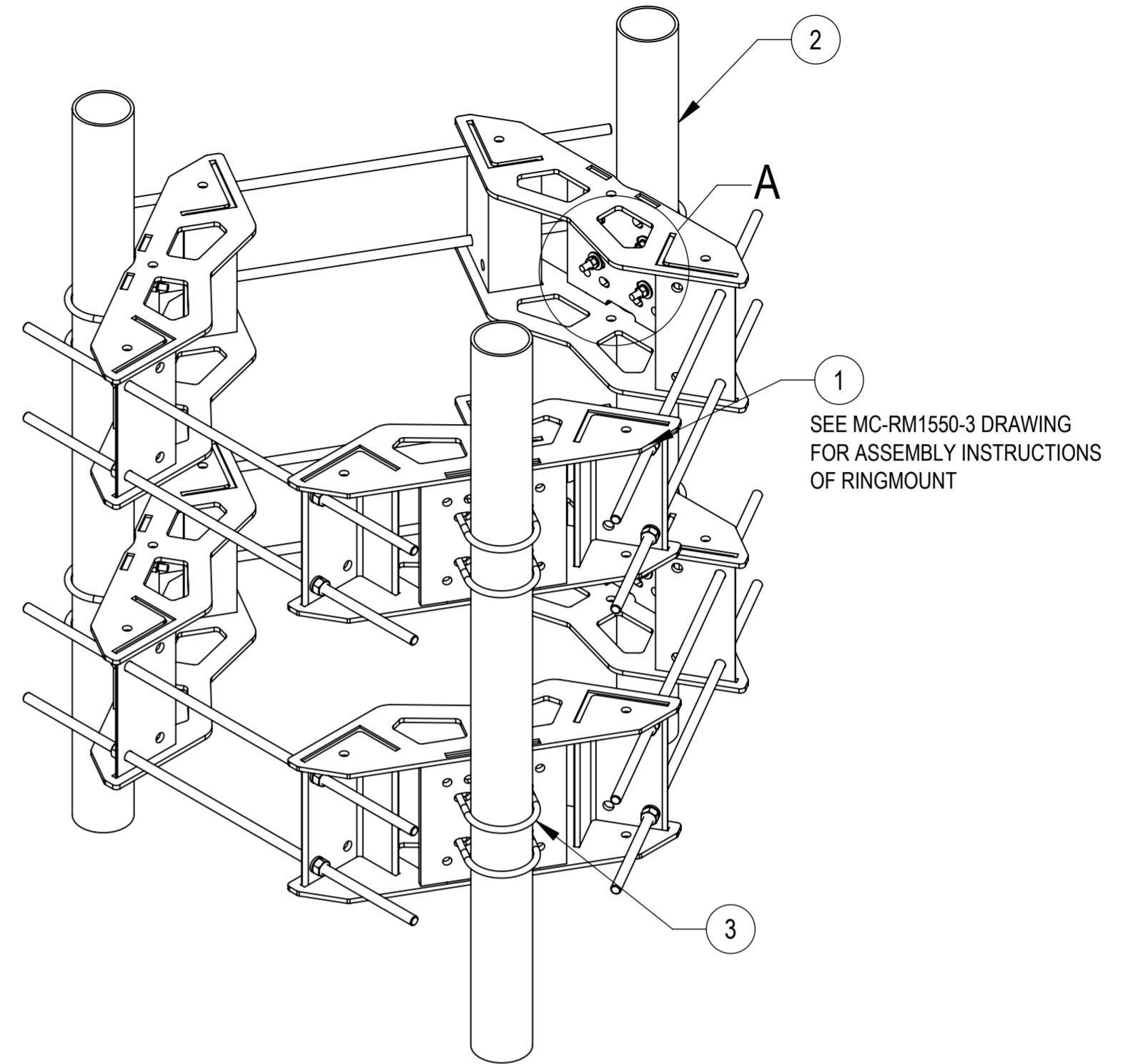
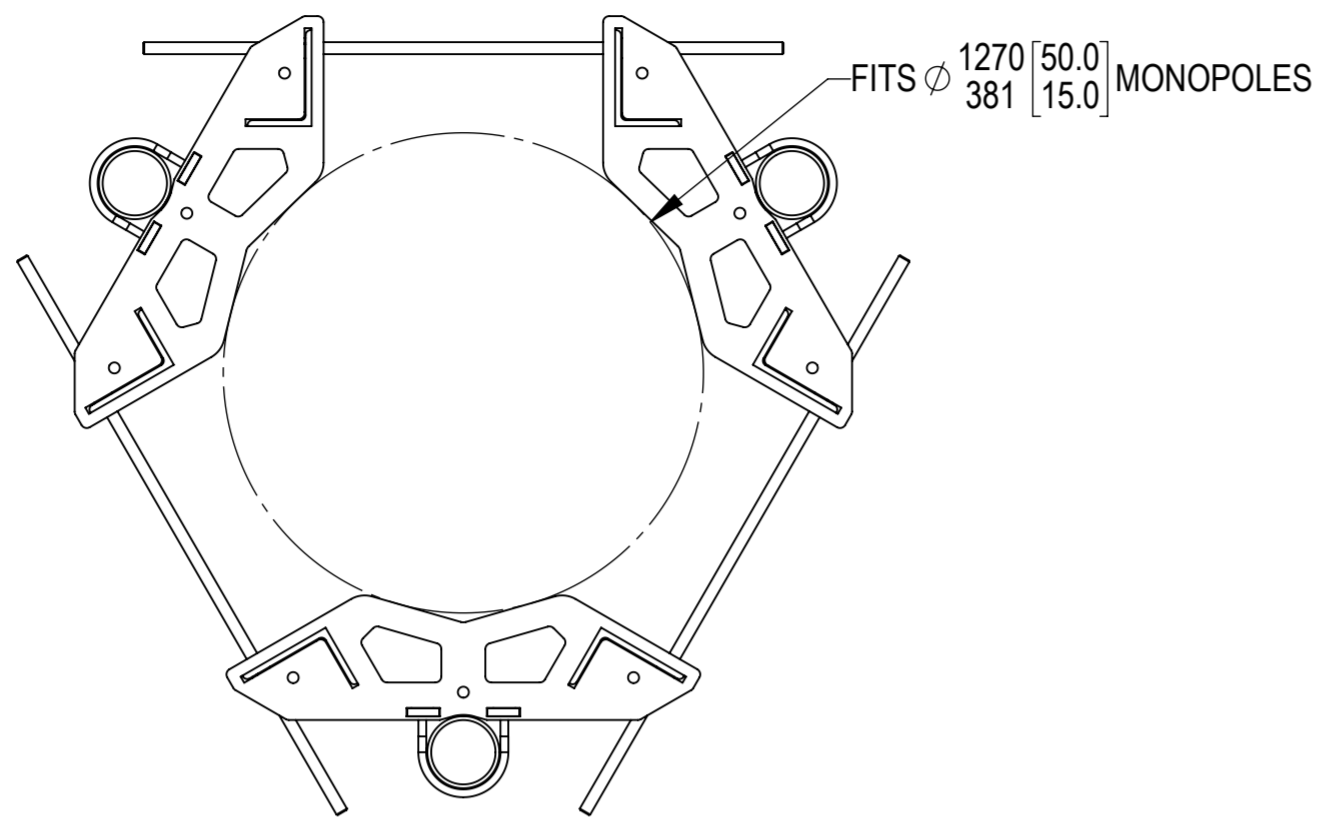
- 1.0 GENERAL NOTES  
 1.1 ALL IMPERIAL DIMENSIONS ARE IN BRACKETS [X.X]  
 1.2 FOR PATENT INFO: <https://www.cs-pat.com>  
 2.0 DESIGN NOTES  
 3.0 MANUFACTURING/SPECIAL REQUIREMENTS  
 3.1 TIGHTEN ALL BOLTS SECURING FLAT PLATES BY THE TURN-OF-NUT METHOD. TIGHTEN ALL U-BOLTS USING TURN-OF-NUT METHOD WITH ATTENTION TO LEAVE EQUAL DISTANCE AND EQUAL FORCE ON EACH LEG OF THE U-BOLT.  
 4.0 TEST  
 5.0 PACKAGING  
 5.1 PACKAGING SHALL MEET COMMScope REQUIREMENTS PER DOCUMENT IS-PL-3005.  
 5.2 PRINTED DOCUMENT TO BE PLACED INSIDE POLYBAG AND THEN IN SHIPPING CONTAINER.  
 5.3 EXTRA HARDWARE MAYBE SUPPLIED, BAGGED AND SHIPPED.

REVISIONS			
REV.	DESCRIPTION	DATE	APPROVED
A	INITIAL RELEASE	YH1102 15SEP22	BCROSS 40153334CMO



**COMMScope, INC. OF NORTH CAROLINA**

TOLERANCES		SAP MATERIAL MASTER						
0 PLACE X[.X] ± 6[0.25]	2 PLACE .XX[.XXX] ± 1.50[0.06]	<b>MTC40231255</b>						
1 PLACE .X[.XX] ± 3.0[0.12]	ANGLES ± 2°							
FINISH		MATERIAL						
UNLESS OTHERWISE SPECIFIED DIMENSIONS ARE IN INCHES INTERPRET PER ANSI Y 14.5M-1994		NAME		DATE		TITLE		
		CE	YH1102	15SEP22		<b>MC-RM1550-3 WITH 4.5" OD PIPE AND UBOLTS</b>		
		RW	YMENG	10/17/2022				
		AD	YH1102	10/17/2022				
		RE	YMENG	10/17/2022				
ECN 40153334CMO								
SCALE		DOCUMENT NO.		<b>MTC40231255</b>		DRAWING		
<b>1:20</b>						VERSION	STATUS	REVISION
SIZE	Auth Group	INSL	MODEL		VERSION	STATUS	REVISION	SHEET
<b>A2</b>			00	RE	A	00	RE	A
				00	RE	A	1 OF 2	



DETAIL A  
SCALE 1 : 5

COMPONENT PART NUMBERS PROVIDED FOR ASSEMBLY PURPOSES;  
INDIVIDUAL COMPONENTS MAY BE SHIPPED AS PARTS WITHIN AN INCLUDED KIT.

ITEM	PART NO.	DESCRIPTION	QTY.	NOTE NO.
1	MC-RM1550-3	15" - 50" OD RINGMOUNT	2	
2	MT-653-63	4.5" O.D. X 63" PIPE	3	
3	GUB-4456	1/2" X 4-5/8" X 6-1/2" GALV U-BOLT	12	

COMMSCOPE, INC. OF NORTH CAROLINA

TITLE  
MC-RM1550-3 WITH 4.5" OD PIPE AND UBOLTS

SIZE A2 SCALE 1:16 DOCUMENT NO. MTC40231255

DRAWING			SHEET 2 OF 2
VERSION	STATUS	REVISION	
00	RE	A	