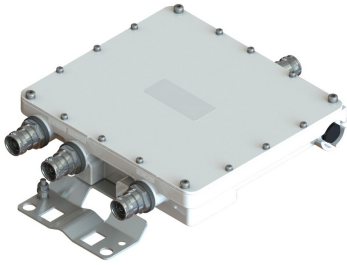


E14F10P95



Triplexer 612-960/1400-1800/1920-4200, dc bypass on Low band port, with 4.3-10 connectors

- Industry leading PIM performance
- dc/AISG pass-through on low frequency ports
- New 4.3-10 connectors for improved PIM performance and size reduction
- Suitable for feeders cables reduction

Product Classification

Product Type Triplexer

General Specifications

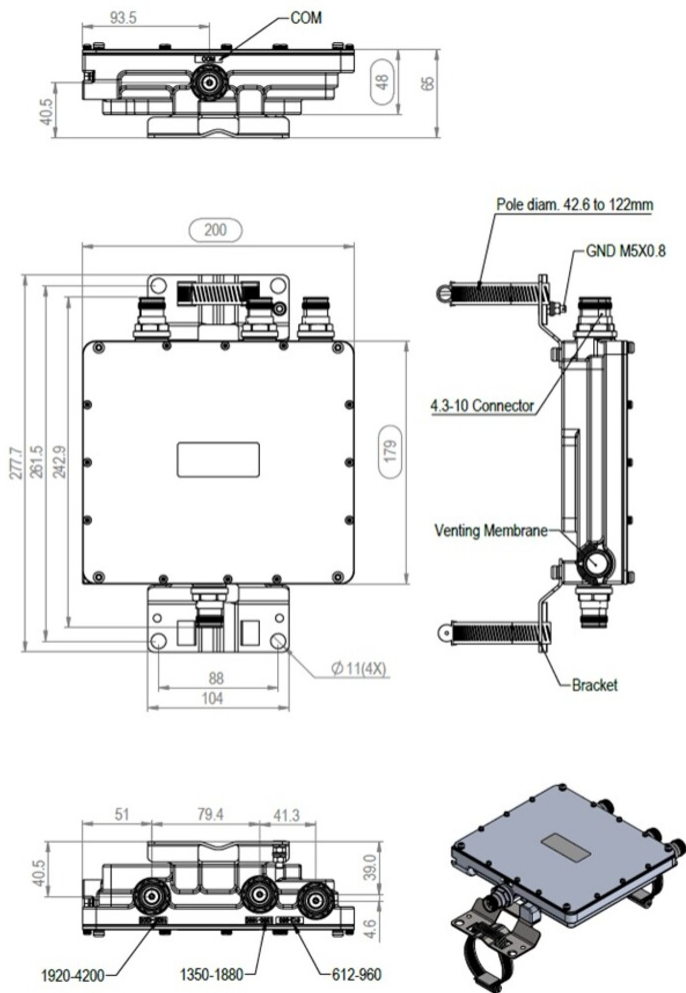
Product Family CBC81821
Color Gray
Common Port Label Common
Modularity 1-Single
Mounting Pole | Wall
Mounting Pipe Hardware Band clamps (2)
RF Connector Interface 4.3-10 Female
RF Connector Interface Body Style Medium neck

Dimensions

Height 179 mm | 7.047 in
Width 48 mm | 1.89 in
Depth 200 mm | 7.874 in
Mounting Pipe Diameter Range 43–122 mm

Outline Drawing

E14F10P95



Electrical Specifications

Impedance	50 ohm
License Band, Band Pass	APT 700 CEL 850 CEL 900 DCS 1800 EDD 800 IMT 2100 IMT 2600 LMR 800 LMR 900 PCS 1900 PDC 1500 SDL 1400 TDD 3500

Electrical Specifications, dc Power/Alarm

dc/AISG Pass-through, combiner	Branch 1
dc/AISG Pass-through, demultiplexer	Branch 1
Lightning Surge Current	5 kA
Lightning Surge Current Waveform	8/20 waveform

Electrical Specifications

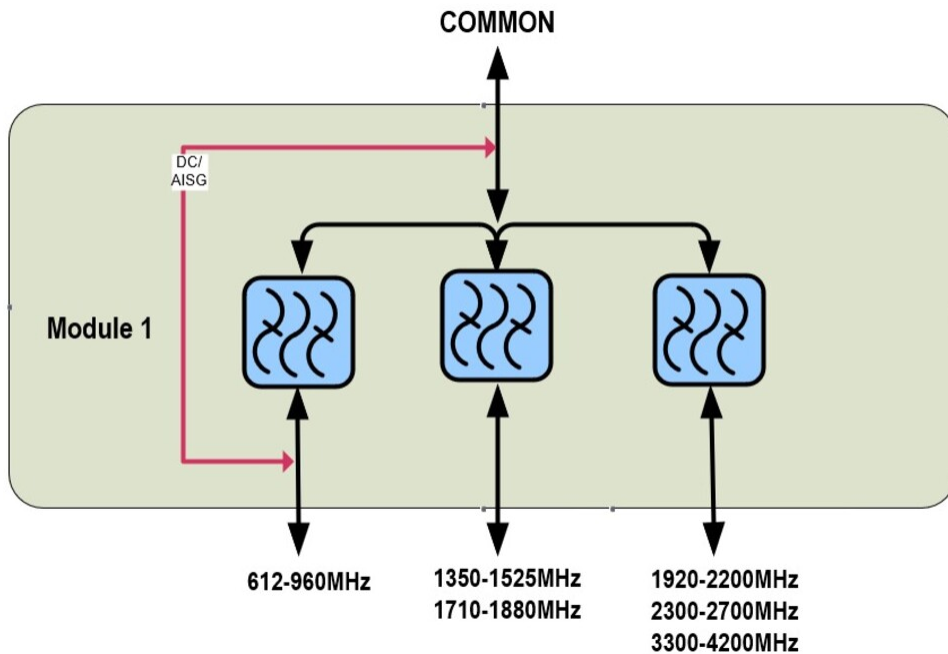
E14F10P95

Sub-module	1	1	1
Branch	1	2	3
Port Designation	612-960	1350-1525 & 1710-1880	1920-2200 & 2300-2700 & 3300-4200
License Band	APT 700, Band Pass LMR 800, Band Pass LMR 900, Band Pass CEL 850, Band Pass CEL 900, Band Pass EDD 800, Band Pass	PDC 1500, Band Pass DCS 1800, Band Pass	TDD 2300, Band Pass TDD 2600, Band Pass TDD 3500, Band Pass IMT 2100, Band Pass

Electrical Specifications, Band Pass

Frequency Range, MHz	612-960	1325-1525 1710-1880	1920-2200 2300-2700 3300-4200
Insertion Loss, typical, dB	0.15	0.3	0.4
Return Loss, typical, dB	20	20	20
Isolation, minimum, dB	35	40	35
Input Power, RMS, maximum, W	100	100	100
Input Power, PEP, maximum, W	1000	1000	1000
3rd Order PIM, typical, dBc	-163	-163	-160
3rd Order PIM Test Method	Two +43 dBm carriers	Two +43 dBm carriers	Two +43 dBm carriers

Block Diagram



E14F10P95

Environmental Specifications

Operating Temperature	-40 °C to +65 °C (-40 °F to +149 °F)
Relative Humidity	Up to 100%
Corrosion Test Method	IEC 60068-2-11, 30 days
Ingress Protection Test Method	IEC 60529:2001, IP67

Packaging and Weights

Included	Mounting hardware
Volume	1.75 L
Weight, net	2.4 kg 5.291 lb

Regulatory Compliance/Certifications

Agency	Classification
ISO 9001:2015	Designed, manufactured and/or distributed under this quality management system

