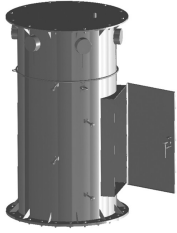


# WT-SPM12-9-126

---



Stackable Pod Mount Assembly, 3-sector platform, 12 ft face, nine 2-3/8 in OD x 126 in plain end pipes included

## Product Classification

**Product Type** Water tower mount

## General Specifications

**Mounting** Hatch plate

**Pipe, quantity** 9

**Sectors, quantity** 3

## Dimensions

**Height** 3,200.4 mm | 126 in

**Face Width** 3.81 m | 12.5 ft

**Width** 3810 mm | 150 in

**Length** 3810 mm | 150 in

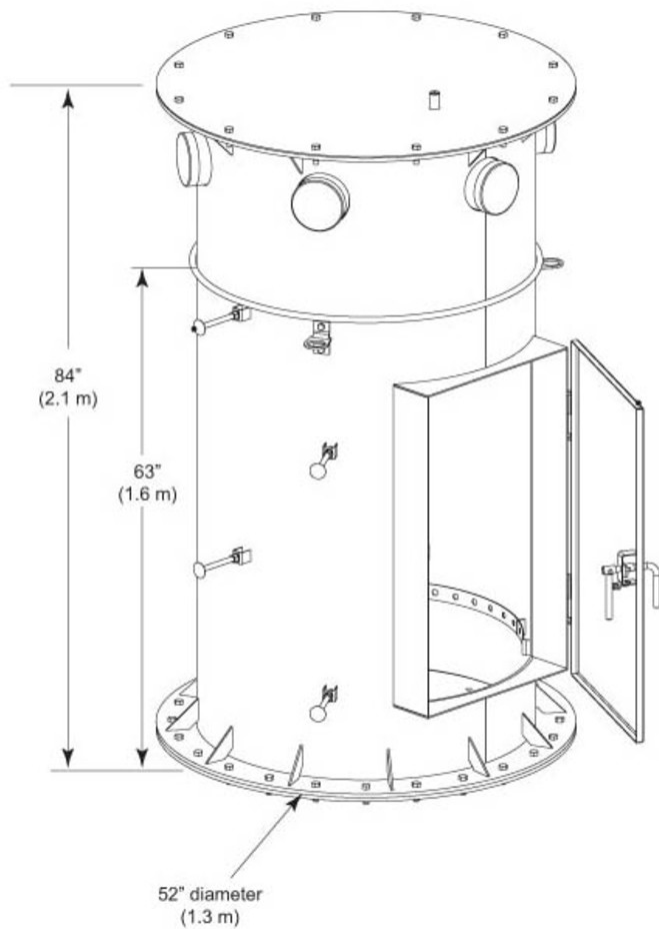
**Pipe Length** 3,200.4 mm | 126 in

**Compatible Diameter** 1,219.2 mm | 48 in

**Pipe Outer Diameter** 60.96 mm | 2.4 in

# WT-SPM12-9-126

## Outline Drawing



## Material Specifications

**Material Type** Hot dip galvanized steel

## Packaging and Weights

**Included** Mount | Plain end pipes (9) | Platform

**Packaging quantity** 1

**Weight, net** 1,383.82 kg | 3,050.8 lb

## Regulatory Compliance/Certifications

**Agency** **Classification**

# WT-SPM12-9-126

---

ISO 9001:2015

Designed, manufactured and/or distributed under this quality management system

## Included Products

- MC-RM3060-3 – Universal Ring Mount, 30 in to 60 in OD
- MT-196 – Low Profile Co-location Base Platform, 12 ft face. Ring Mount & Antenna Pipes Sold Separately.
- MT-220-120 – Pipe Mount Kit, 2-3/8 in OD x 126 in
- WT-SPM-B – Stackable Pod Mount Assembly, platform and plain end pipe not included

# MC-RM3060-3

---



Universal Ring Mount, 30 in to 60 in OD

## Product Classification

**Product Type** Universal ring mount

## General Specifications

**Mounting** Monopole, 762–1524 mm (30–60 in) OD

**Pipe, quantity** 0

**Sectors, quantity** 3

## Dimensions

**Height** 254 mm | 10 in

**Length** 152.4 mm | 6 in

**Mounting Diameter, maximum** 1524 mm | 60 in

**Mounting Diameter, minimum** 762 mm | 30 in

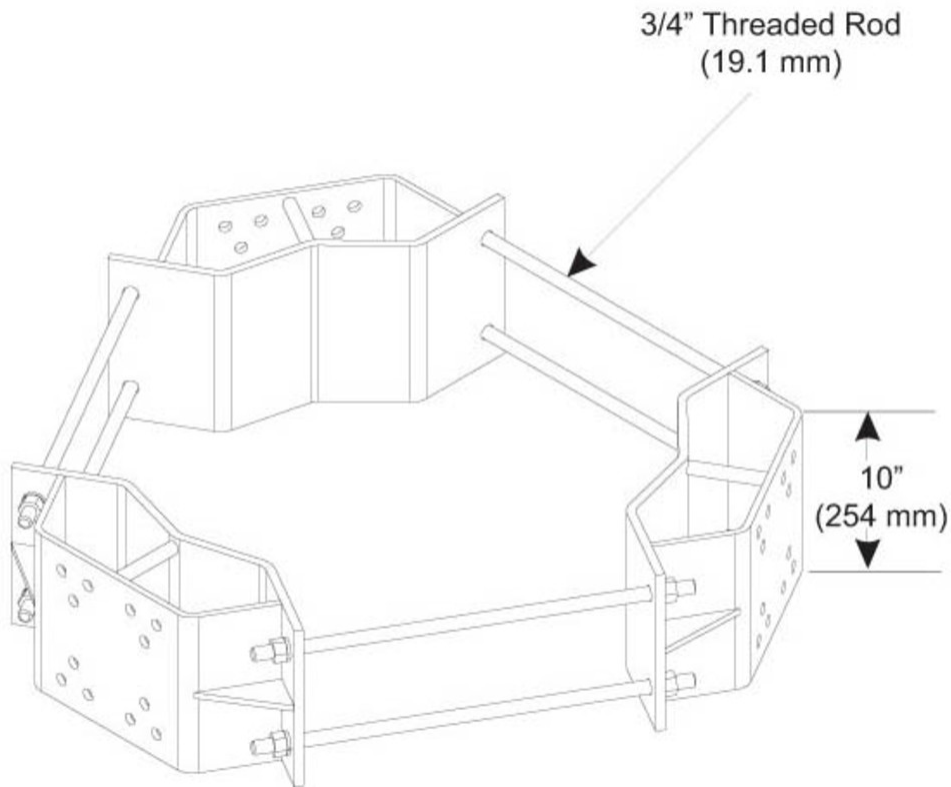
**Pipe Outer Diameter** 0 mm | 0 in

**Mounting Circumference, maximum** 4,785.36 mm | 188.4 in

**Mounting Circumference, minimum** 2,392.68 mm | 94.2 in

# MC-RM3060-3

## Outline Drawing



## Material Specifications

**Material Type** Hot dip galvanized steel

## Mechanical Specifications

**Wind Rating** 140 mph (BWS) at 150 ft AGL | 160 mph (3-second gust) at 150 ft AGL using Exposure D per FBC

**Wind Rating Criteria** Four 72 in x 8 in panel antennas per sector

**Wind Rating Test Method** TIA/EIA-222

## Packaging and Weights

**Included** Mount | Threaded rod

**Packaging quantity** 1

**Weight, net** 140.614 kg | 310 lb

# MC-RM3060-3

---

## Regulatory Compliance/Certifications

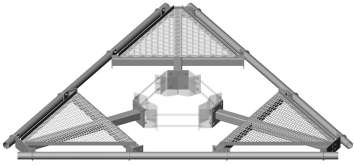
Agency	Classification
ISO 9001:2015	Designed, manufactured and/or distributed under this quality management system

### \* Footnotes

<b>Wind Rating</b>	BWS—Base Wind Speed; FBC—Florida Building Code
--------------------	--

# MT-196

---



Low Profile Co-location Base Platform, 12 ft face. Ring Mount & Antenna Pipes Sold Separately.

## Product Classification

**Product Type** Monopole platform kit

## General Specifications

**Mounting** Ring mount

**Sectors, quantity** 3

## Dimensions

**Height** 254 mm | 10 in

**Face Width** 3.81 m | 12.5 ft

**Width** 3810 mm | 150 in

**Length** 914.4 mm | 36 in

**Face Support Pipe Diameter** 88.9 mm | 3.5 in

**Mounting Diameter, maximum** 762 mm | 30 in

**Mounting Diameter, minimum** 254 mm | 10 in

**Pipe Outer Diameter** 0 mm | 0 in

## Material Specifications

**Material Type** Hot dip galvanized steel

## Mechanical Specifications

**Wind Rating** 120 mph (BWS) at 150 ft AGL | 140 mph (3-second gust) at 150 ft AGL using Exposure D per FBC

**Wind Rating Criteria** Four 72 in x 8 in panel antennas per sector

**Wind Rating Test Method** TIA/EIA-222

## Environmental Specifications

**EPA with 1/2 in (12 mm) radial ice** 1.05 m<sup>2</sup> | 11.3 ft<sup>2</sup>

# MT-196

---

**EPA without ice** 0.818 m<sup>2</sup> | 8.8 ft<sup>2</sup>

## Packaging and Weights

**Included** Platform  
**Packaging quantity** 1  
**Weight, net** 509.52 kg | 1,123.3 lb

## Regulatory Compliance/Certifications

Agency	Classification
CHINA-ROHS	Below maximum concentration value
ISO 9001:2015	Designed, manufactured and/or distributed under this quality management system
REACH-SVHC	Compliant as per SVHC revision on <a href="http://www.commscope.com/ProductCompliance">www.commscope.com/ProductCompliance</a>
ROHS	Compliant
UK-ROHS	Compliant



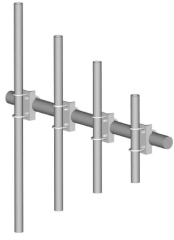
## \* Footnotes

**Wind Rating** BWS—Base Wind Speed; FBC—Florida Building Code  
**EPA with 1/2 in (12 mm) radial ice** EPA—Effective Projected Area  
**EPA without ice** EPA—Effective Projected Area



# MT-220-120

---



Pipe Mount Kit, 2-3/8 in OD x 126 in

## Product Classification

**Product Type** Pipe mount kit

## General Specifications

**Mounting** Pipe, 88.9 mm (3-1/2 in) OD

**Pipe, quantity** 1

## Dimensions

**Height** 3,200.4 mm | 126 in

**Width** 127 mm | 5 in

**Length** 127 mm | 5 in

**Pipe Length** 3,200.4 mm | 126 in

**Pipe Outer Diameter** 60.96 mm | 2.4 in

## Material Specifications

**Material Type** Hot dip galvanized steel

## Packaging and Weights

**Included** Crossover bracket | Plain end pipes | U-bolts

**Packaging quantity** 1

**Weight, net** 22.1 kg | 48.722 lb

## Regulatory Compliance/Certifications

Agency	Classification
ISO 9001:2015	Designed, manufactured and/or distributed under this quality management system

# WT-SPM-B

---



Stackable Pod Mount Assembly, platform and plain end pipe not included

## Product Classification

**Product Type** Water tower mount

## General Specifications

**Mounting** Hatch plate

## Dimensions

**Height** 1,320.8 mm | 52 in

**Width** 1,320.8 mm | 52 in

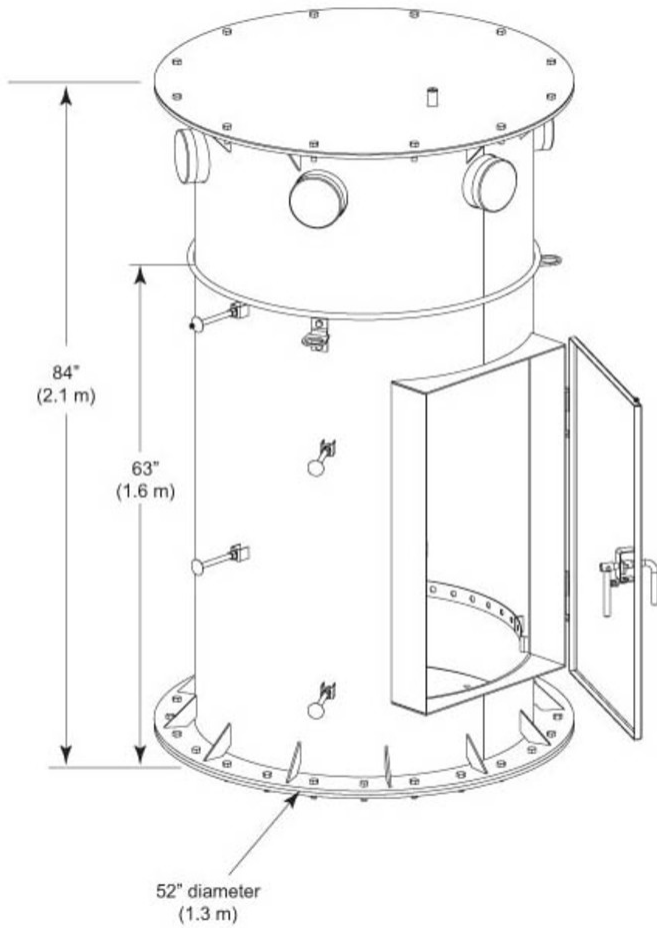
**Length** 2,133.6 mm | 84 in

**Compatible Diameter** 1,219.2 mm | 48 in

**Pipe Outer Diameter** 1,066.8 mm | 42 in

# WT-SPM-B

## Outline Drawing



## Material Specifications

**Material Type** Hot dip galvanized steel

## Packaging and Weights

**Included** Hardware | Mount

**Packaging quantity** 1

**Weight, net** 603.822 kg | 1,331.2 lb

## Regulatory Compliance/Certifications

**Agency** **Classification**

# WT-SPM-B

---

CHINA-ROHS	Above maximum concentration value
ISO 9001:2015	Designed, manufactured and/or distributed under this quality management system
ROHS	Compliant/Exempted
UK-ROHS	Compliant/Exempted

