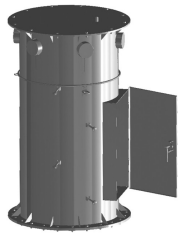


WT-SPM-B



Stackable Pod Mount Assembly, platform and plain end pipe not included

Product Classification

Product Type Water tower mount

General Specifications

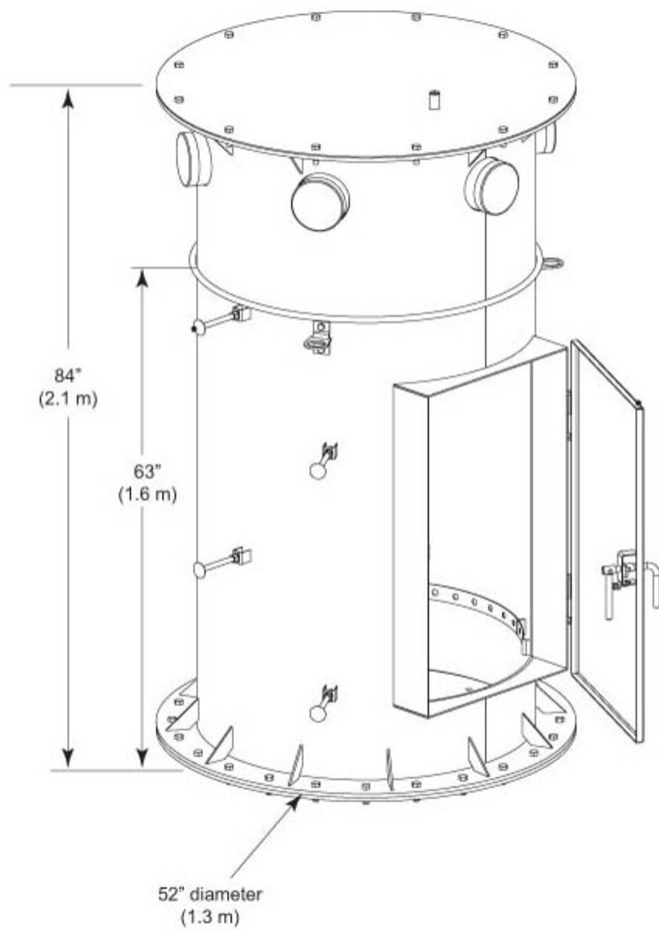
Mounting Hatch plate

Dimensions

- Height** 1,320.8 mm | 52 in
- Width** 1,320.8 mm | 52 in
- Length** 2,133.6 mm | 84 in
- Compatible Diameter** 1,219.2 mm | 48 in
- Pipe Outer Diameter** 1,066.8 mm | 42 in

WT-SPM-B

Outline Drawing



Material Specifications

Material Type Hot dip galvanized steel

Packaging and Weights

Included Hardware | Mount

Packaging quantity 1

Weight, net 603.822 kg | 1,331.2 lb

Regulatory Compliance/Certifications

Agency **Classification**

WT-SPM-B

CHINA-ROHS	Above maximum concentration value
ISO 9001:2015	Designed, manufactured and/or distributed under this quality management system
ROHS	Compliant/Exempted
UK-ROHS	Compliant/Exempted

