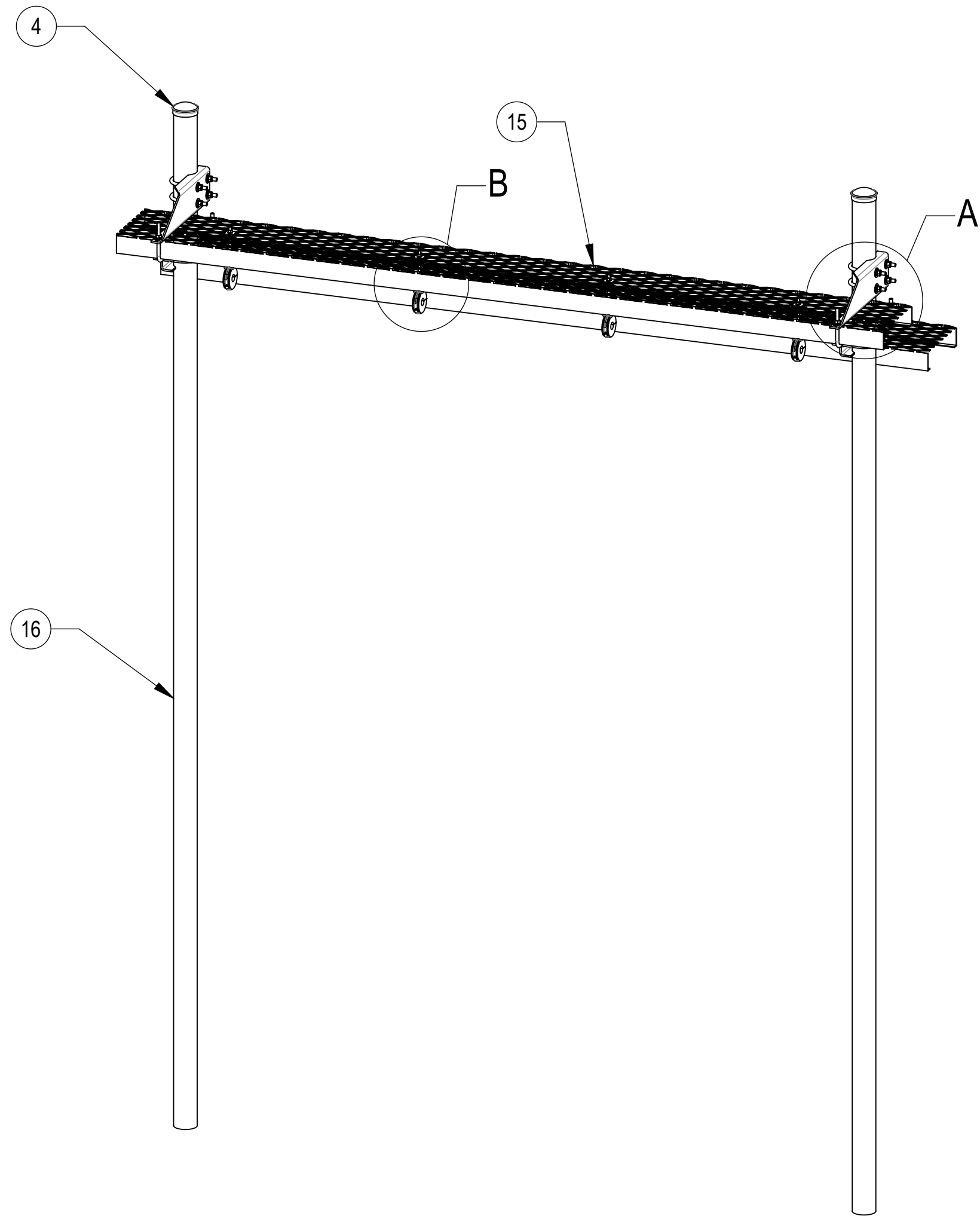
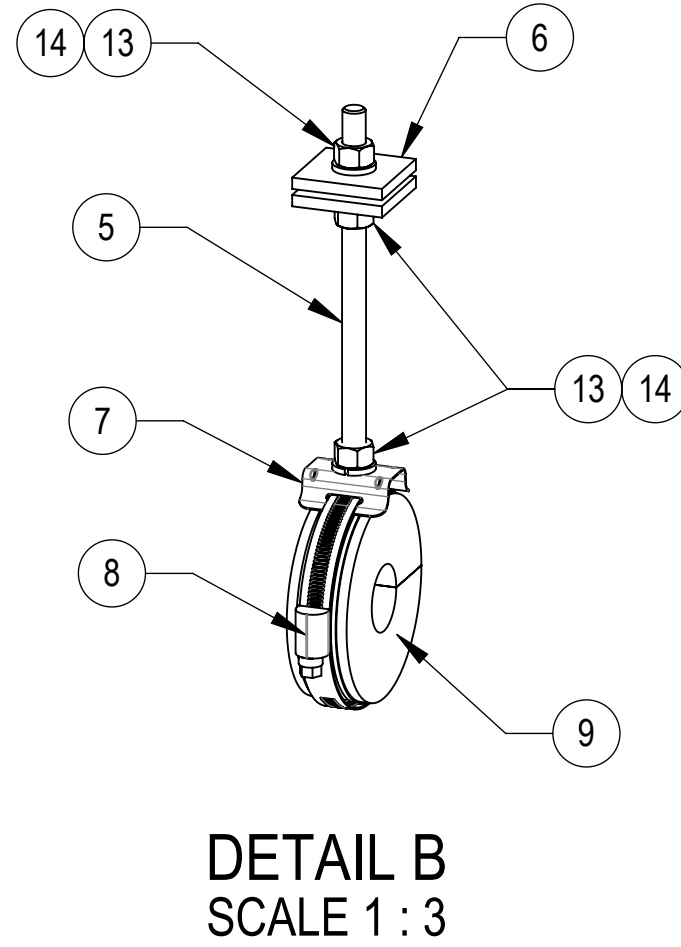
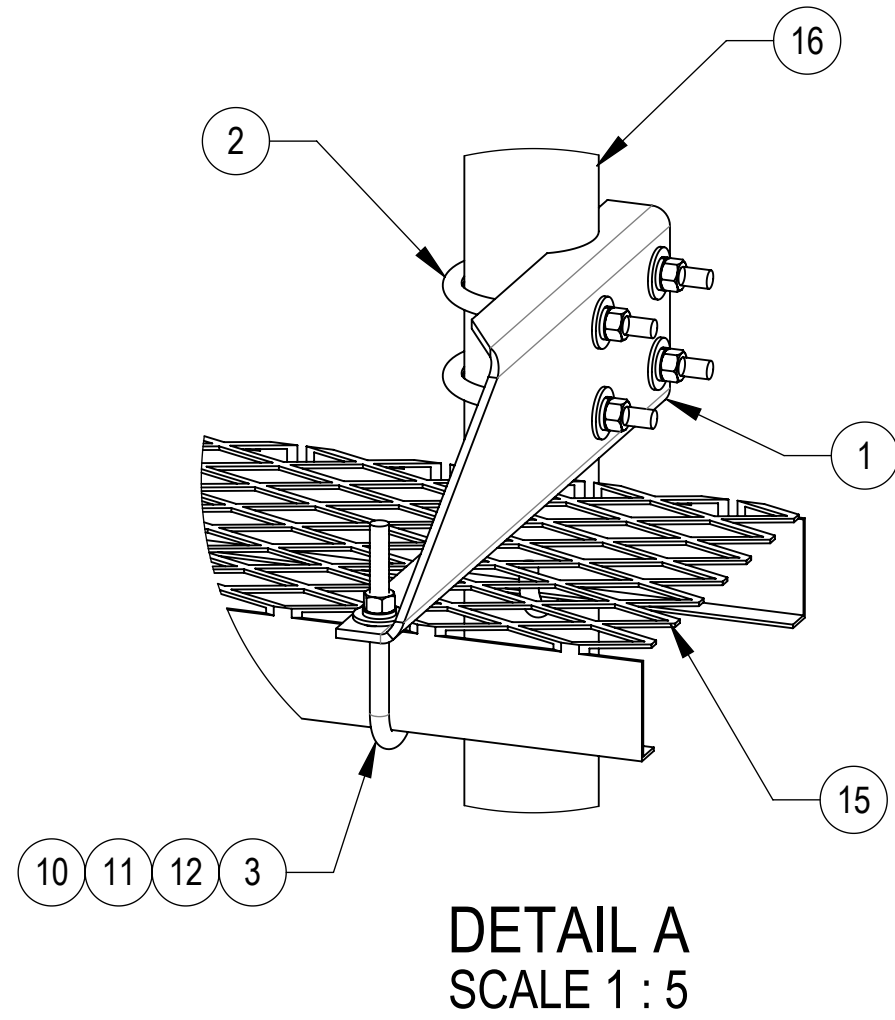


- 1.0 GENERAL NOTES
  - 1.1 ALL METRIC DIMENSIONS ARE IN BRACKETS [X.X]
  - 1.2 FOR PATENT INFO: <https://www.cs-pat.com>
- 2.0 DESIGN NOTES
- 3.0 MANUFACTURING/SPECIAL REQUIREMENTS
  - 3.1 TIGHTEN ALL BOLTS SECURING FLAT PLATES BY THE TURN-OF-NUT METHOD. TIGHTEN ALL U-BOLTS USING TURN-OF-NUT METHOD WITH ATTENTION TO LEAVE EQUAL DISTANCE AND EQUAL FORCE ON EACH LEG OF THE U-BOLT.
- 4.0 TEST
- 5.0 PACKAGING
  - 5.1 PACKAGING SHALL MEET COMMSCOPE REQUIREMENTS PER DOCUMENT IS-PL-3005
  - 5.2 PRINTED DOCUMENT TO BE PLACED INSIDE POLYBAG AND THEN IN SHIPPING CONTAINER
  - 5.3 EXTRA HARDWARE MAY BE SUPPLIED BAGGED AND SHIPPED

REVISIONS			
REV.	DESCRIPTION	DATE	APPROVED
A	INITIAL RELEASE	RY1002 18OCT23	YW1047 40181453CMO

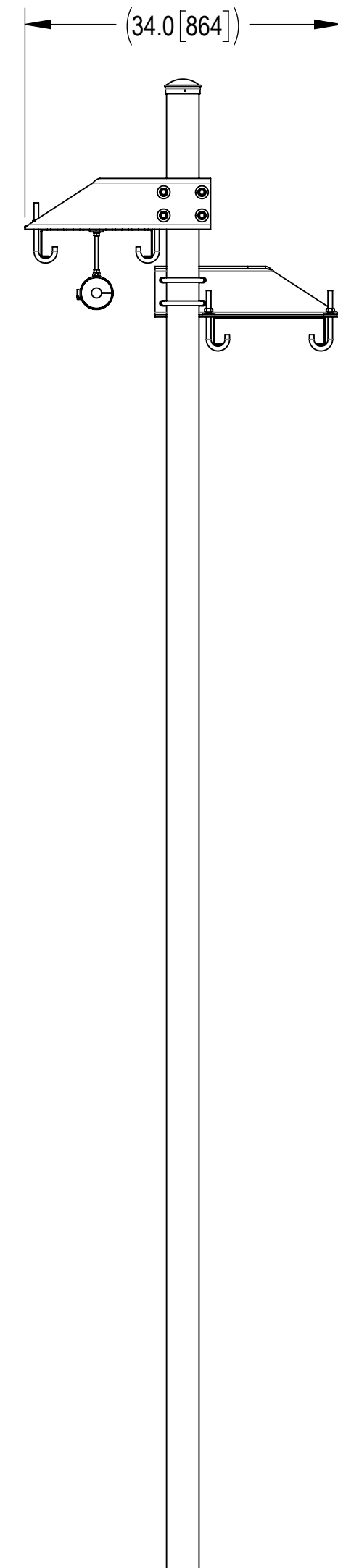
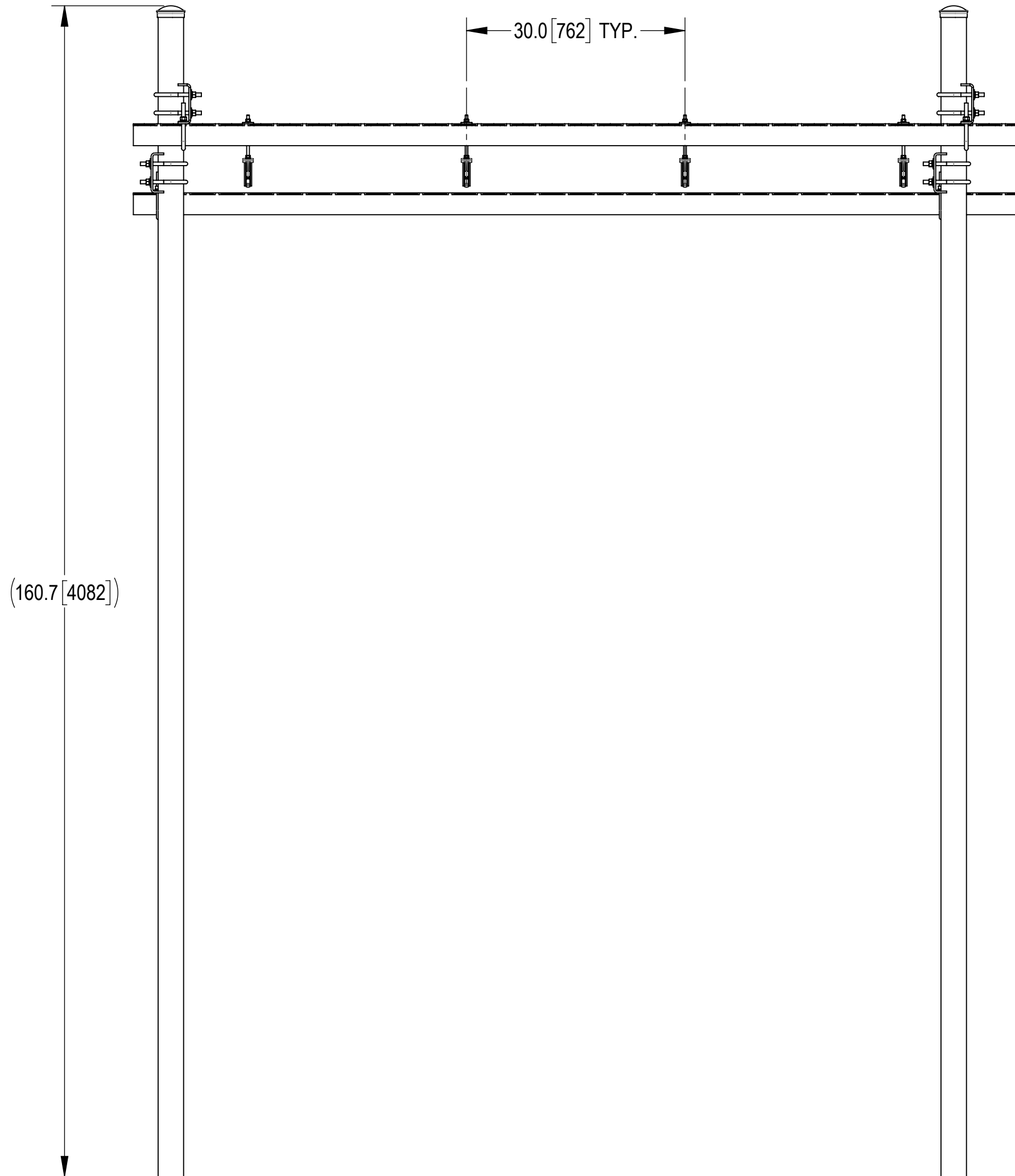
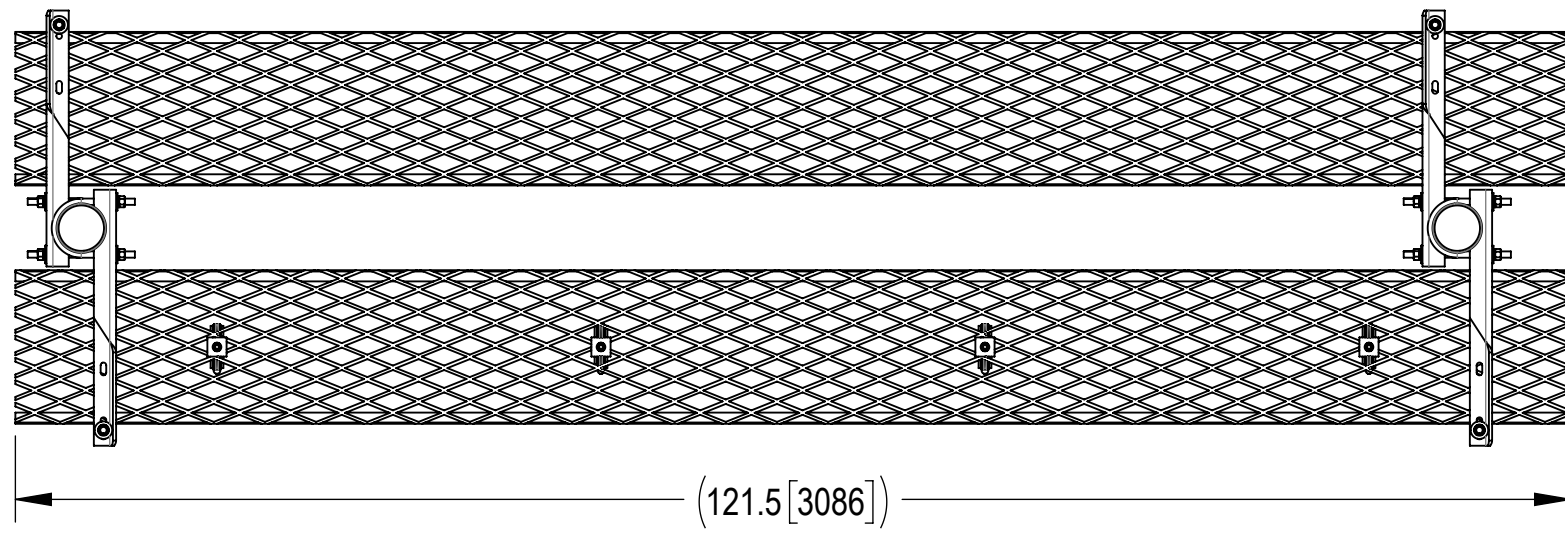



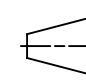
COMPONENT PART NUMBERS PROVIDED FOR ASSEMBLY PURPOSES;  
INDIVIDUAL COMPONENTS MAY BE SHIPPED AS PARTS WITHIN AN INCLUDED KIT.

ITEM	PART NO.	DESCRIPTION	QTY.	WEIGHT	NOTE NO.
1	WBLB123.06	12" WAVEGUIDE BRIDGE SUPPORT BRACKET	4	8.66 LBS	
2	GUB-4356	1/2" X 3-5/8" X 6" GALV U-BOLT	8	0.81 LBS	
3	WBJB6	1/2" J-BOLT	8	0.49 LBS	
4	PC-034	PIPE CAP 3-1/2"	2	0.66 LBS	
5	MTC9411	3/8 X 6 FULL THREAD BOLT	4	0.21 LBS	
6	MT-387	SQUARE WASHER 1-1/2"X1-1/2" W/ 7/16 HOLE	8	0.11 LBS	
7	MF39901	CLAMP HEAD	4	8.07 LBS	
8	31670-3S	ROUND MEMBER ADAPTER, 75-100MM, 1EA	4	0.07 LBS	
9	294697	CUSHION, 7/8" CABLE, 1 HOLE	4	0.25 LBS	
10	GN-04	1/2" GALV HEX NUT	8	0.04 LBS	
11	GWL-04	1/2" GALV LOCK WASHER	8	0.01 LBS	
12	GWF-04	1/2" GALV FLAT WASHER	8	0.04 LBS	
13	GN-03	3/8" GALV HEX NUT	12	0.02 LBS	
14	GWL-03	3/8" GALV LOCK WASHER	12	0.01 LBS	
15	WB-CY110	SAFETY GRATED WAVEGUIDE BRIDGE CHANNEL	2	37.00 LBS	
16	MTC547160216	3-1/2"OD X 160" GALV PIPE	2	101.38 LBS	

DENSITY		lbs/in <sup>3</sup>
MASS	328.81	lbs
VOLUME	1185.20	in <sup>3</sup>
SURFACE AREA	14478.07	in <sup>2</sup>
HEIGHT	160.7[4082]	
LENGTH	121.5[3086]	
WIDTH	34.0[864]	

<b>COMMSCOPE, INC. OF NORTH CAROLINA</b>			
TOLERANCES		SAP MATERIAL MASTER	
1 PLACE .X[X] ± 0.2[6.3]	3 PLACE .XXX[X] ± 0.060[1.5]	<b>CSWB110-14-DCH78</b>	
2 PLACE .XX[X] ± 0.12[3.0]	ANGLES ± 2°		
FINISH		MATERIAL	
UNLESS OTHERWISE SPECIFIED DIMENSIONS ARE IN INCHES INTERPRET PER ANSI Y 14.5M-1994	NAME	DATE	TITLE
	CE RY1002	18OCT23	<b>12"X10', 13'6" LEGS, 7/8" CABLE, DUAL</b>
	RW RY1002	11/13/2023	
	AD YW1047	11/16/2023	
	RE YMENG	11/16/2023	
ECN 40181453CMO			
SCALE	DOCUMENT NO.		
<b>1:17</b>	<b>CSWB110-14-DCH78</b>		
SIZE	Auth Group	INSL	MODEL
<b>C</b>			
VERSION	STATUS	REVISION	VERSION
00	RE	A	00
DRAWING		STATUS	REVISION
		RE	A
SHEET			
1 OF 2			



COMMSCOPE, INC. OF NORTH CAROLINA					
TITLE 12"X10', 13'6" LEGS, 7/8" CABLE, DUAL					
SIZE <b>C</b>	SCALE <b>1:15</b>	DOCUMENT NO. CSWB110-14-DCH78			
 		DRAWING			SHEET 2 OF 2
		VERSION 00	STATUS RE	REVISION A	

© 2023 CommScope, Inc. Confidential