

- 1.0 GENERAL NOTES
- 1.1 ALL METRIC DIMENSIONS ARE IN BRACKETS [X. X]
- 1.2 FOR PATENT INFO: <https://www.cs-pat.com>

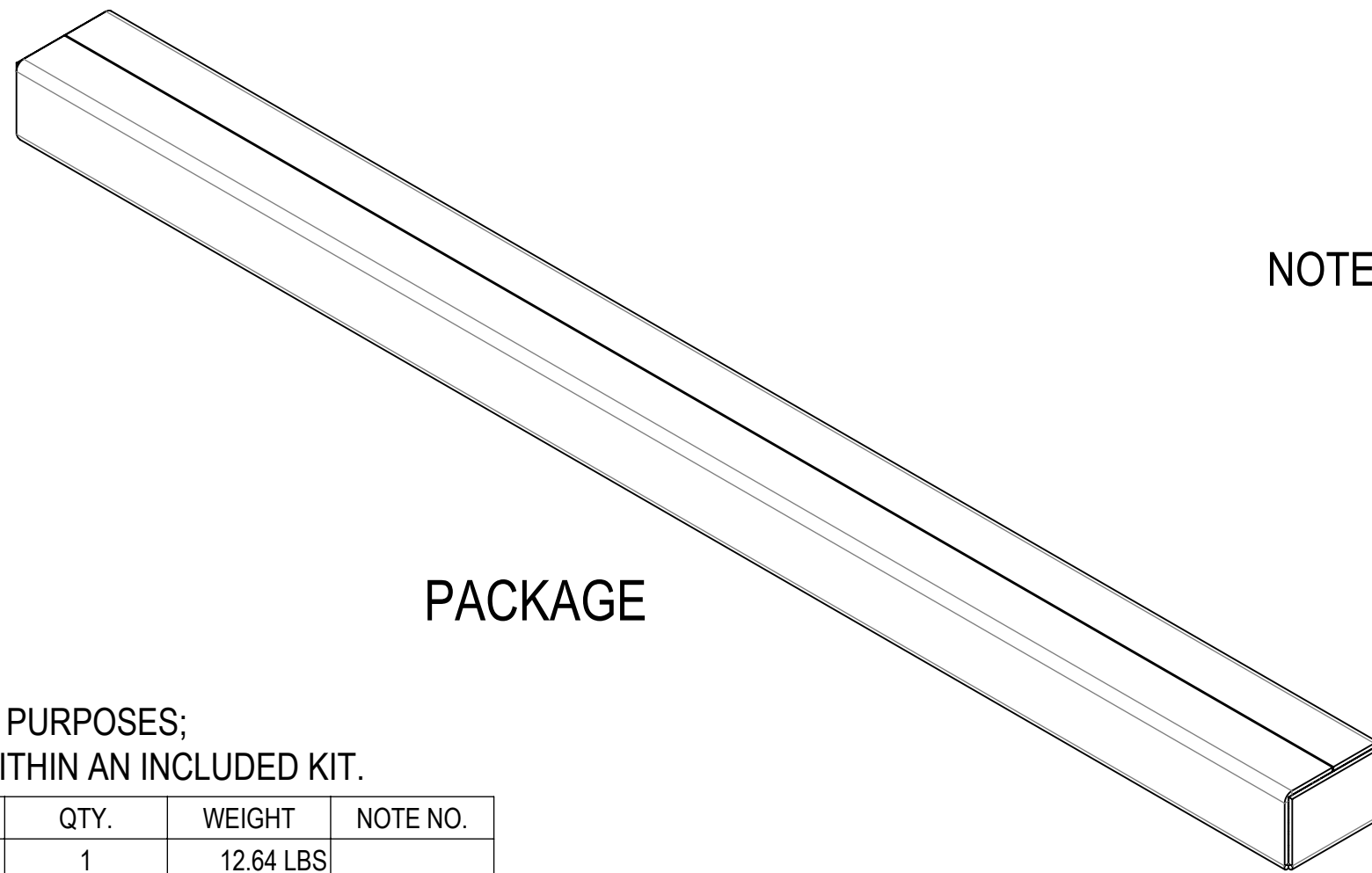
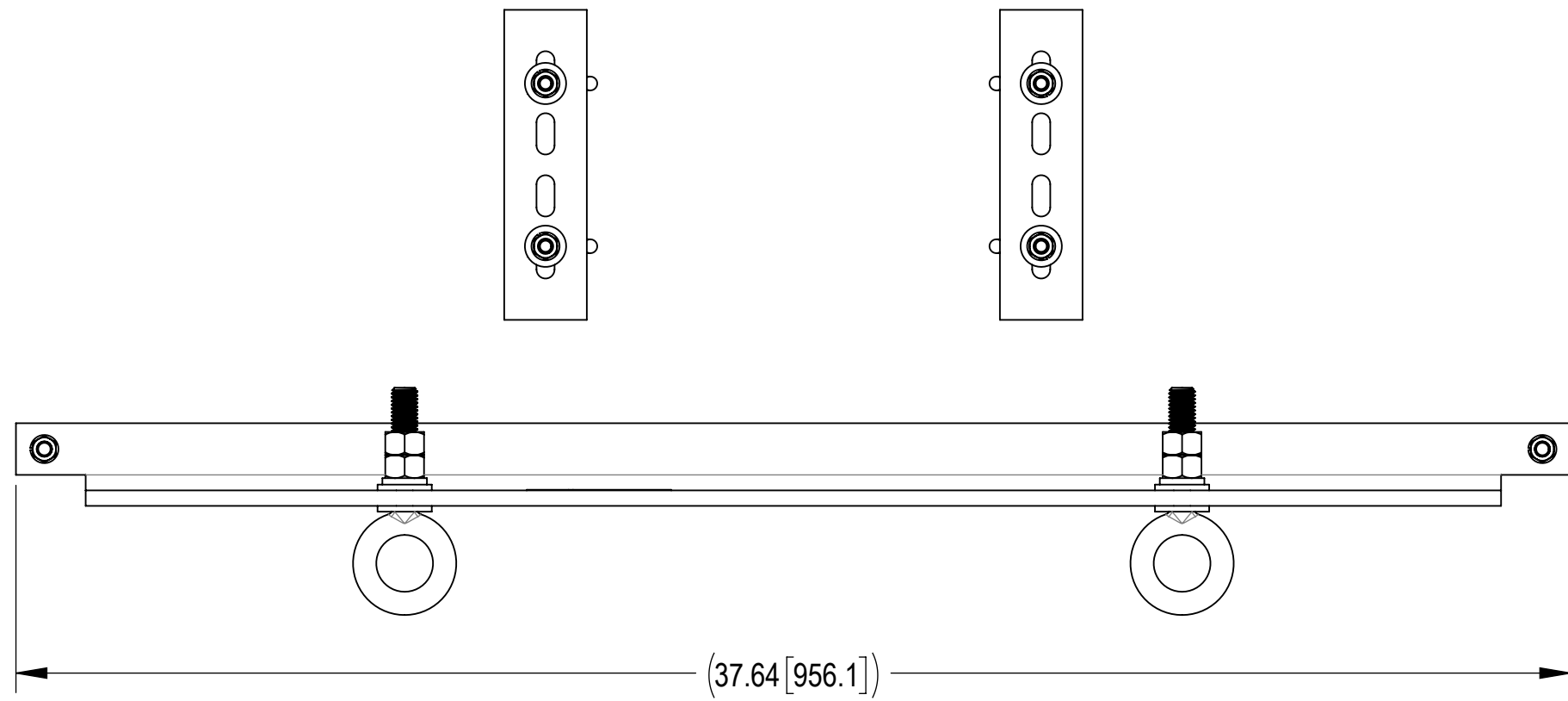
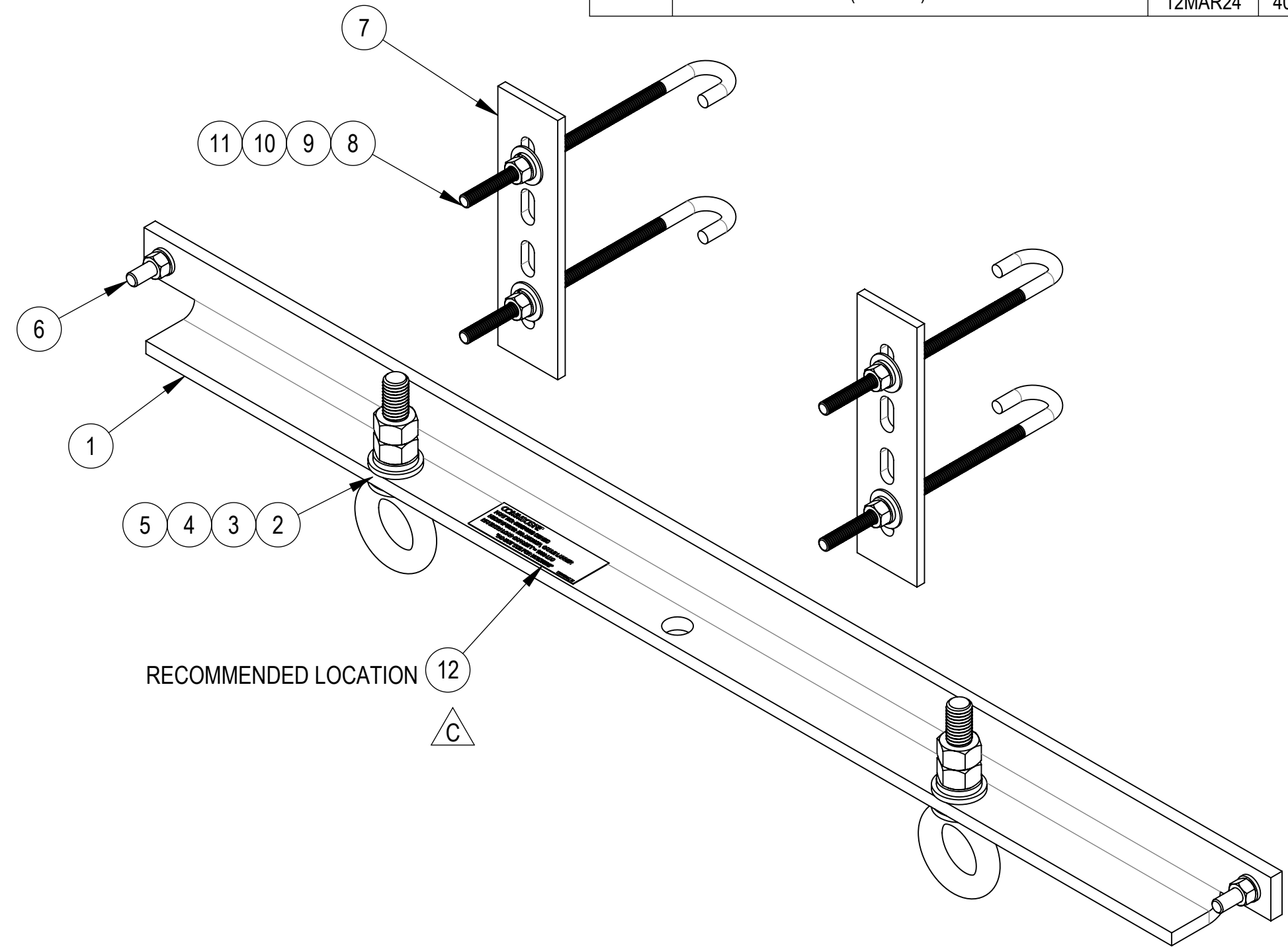
- 2.0 DESIGN NOTES
- 2.1 ANY HAZARDS OR OBSTRUCTIONS TO THE CLIMBING FACILITY AND SAFETY CLIMB MUST BE IDENTIFIED PRIOR TO INSTALLING THE APPURTENANCE. ADDITIONAL PRODUCTS MAY BE REQUIRED TO MAINTAIN THE INTEGRITY OF THE SAFETY CLIMB. DURING INSTALLATION, TEMPORARY AND/OR PERMANENT PRECAUTIONARY MEASURES SHOULD BE TAKEN TO PRESERVE THE CLIMBING FACILITY AND/OR SAFETY CLIMB.

- 3.0 MANUFACTURING/SPECIAL REQUIREMENTS
- 3.1 TIGHTEN ALL BOLTS SECURING FLAT PLATES BY THE TURN-OF-NUT METHOD. TIGHTEN ALL U-BOLTS USING TURN-OF-NUT METHOD WITH ATTENTION TO LEAVE EQUAL DISTANCE AND EQUAL FORCE ON EACH LEG OF THE U-BOLT.

- 4.0 TEST
- 5.0 PACKAGING

- 5.1 PACKAGING SHALL MEET COMMSCOPE REQUIREMENTS PER DOCUMENT IS-PL-3005
- 5.2 PRINTED DOCUMENT TO BE PLACED INSIDE POLYBAG AND THEN IN SHIPPING CONTAINER
- 5.3 EXTRA HARDWARE MAY BE SUPPLIED, BAGGED AND SHIPPED

REVISIONS			
REV.	DESCRIPTION	DATE	APPROVED
A	INITIAL RELEASE	RY1002 23OCT23	EB1063 40181149CMO
B	QTY FOR 9674-1(ITEM 2) & GWL-05(ITEM 4) WAS 1EA, GWF05A(ITEM 3) & GN-05(ITEM 5) WAS 2EA; ADDED NOTE FOR EYEBOLT; CHG BOX FROM BX92 TO BXEB	RY1002 20FEB24	EB1063 40188637CMO
C	MTC4164-LAB01 (ITEM 12) WAS MTC4164-LAB03	RY1002 12MAR24	EB1063 40190737CMO



NOTE: -ANY ARRANGEMENTS OF THE EYEBOLTS IS ACCEPTABLE
 -MAXIMUM LOADING CAPACITY PER EYEBOLT = 1000 LBS
 -MAXIMUM LOADING CAPACITY IN ANY COMBINATION = 1000 LBS
 -NOT TO BE USED FOR HOISTING
 -CABLE LADDER TO BE INSPECTED BY COMPETENT PERSON TO ENSURE PROPER INSTALLATION PRIOR TO INSTALL
 -DESIGNED TO BE UTILIZED ON "CL-1210-U" OR "CL-1220-U"

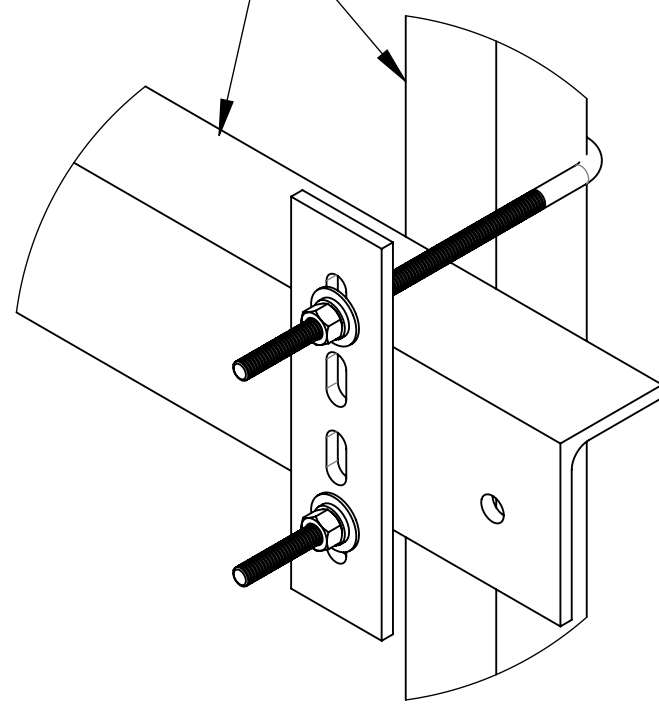
COMPONENT PART NUMBERS PROVIDED FOR ASSEMBLY PURPOSES;
 INDIVIDUAL COMPONENTS MAY BE SHIPPED AS PARTS WITHIN AN INCLUDED KIT.

ITEM	PART NO.	DESCRIPTION	QTY.	WEIGHT	NOTE NO.
1	MTC4164-038-00	38 INCH CROSSMEMBER GALV	1	12.64 LBS	
2	9674-1	BOLT,EYE,5/8X3,STL,ZN PLD	2	0.08 LBS	
3	GWFO5A	GALV FLAT WASHER HARDENED 5/8", 1.3OD	4	0.04 LBS	
4	GWL-05	5/8" GALV LOCK WASHER	2	0.03 LBS	
5	GN-05	5/8" GALV HEX NUT	4	0.08 LBS	
6	GB-03145	3/8" X 1-1/2" GALV BOLT KIT	2	0.07 LBS	
7	HKCLU.02	BACKING PLATE	2	0.95 LBS	
8	GJB0380	8" GALV J-BOLT KIT	4	0.23 LBS	
9	GN-03	3/8" GALV HEX NUT	4	0.02 LBS	
10	GWL-03	3/8" GALV LOCK WASHER	4	0.01 LBS	
11	GWFO3	3/8" GALV FLAT WASHER	4	0.01 LBS	
12	MTC4164-LAB01	LABEL, HG ANCHOR, CABLE LADDER	1	0.00 LBS	

DENSITY	16.48	lbs/in ³
MASS	62.08	lbs
VOLUME	500.41	in ³
SURFACE AREA	8.25"	in ²
HEIGHT	37.64"	
LENGTH		
WIDTH		

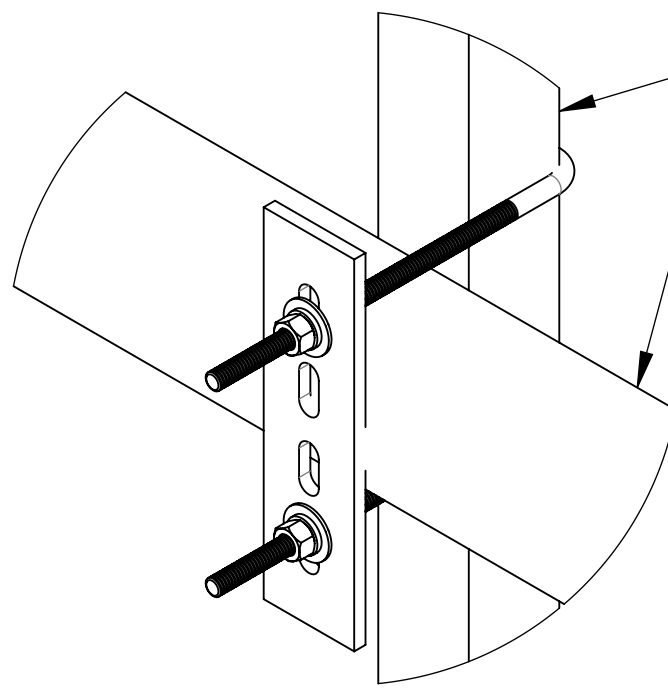
COMMSCOPE, INC. OF NORTH CAROLINA			
TOLERANCES		SAP MATERIAL MASTER	
1 PLACE .X[X] ± 0.2[6.3]	3 PLACE .XXX[X] ± 0.060[1.5]	860674608-012	
2 PLACE .XX[X] ± 0.12[3.0]	ANGLES ± 2°		
FINISH		MATERIAL	
UNLESS OTHERWISE SPECIFIED DIMENSIONS ARE IN INCHES INTERPRET PER ANSI Y 14.5M-1994		TITLE	
CE	RY1002	23OCT23	GRIP ANCHOR, CABLE LADDER,012
RW	RY1002	03/12/2024	
AD	AG1119	03/13/2024	
RE	RY1002	03/27/2024	
ECN 40190737CMO		SCALE	DOCUMENT NO.
		1:4	860674608-012
SIZE	Auth Group	INSL	MODEL
C			
VERSION		STATUS	REVISION
02	RE	C	02
DRAWING		VERSION	STATUS
		RE	C
SHEET			1 OF 2

SIDE RAIL AND ANGLE MEMBER
SOLD SEPARATELY



ANGLE MEMBER
SET-UP

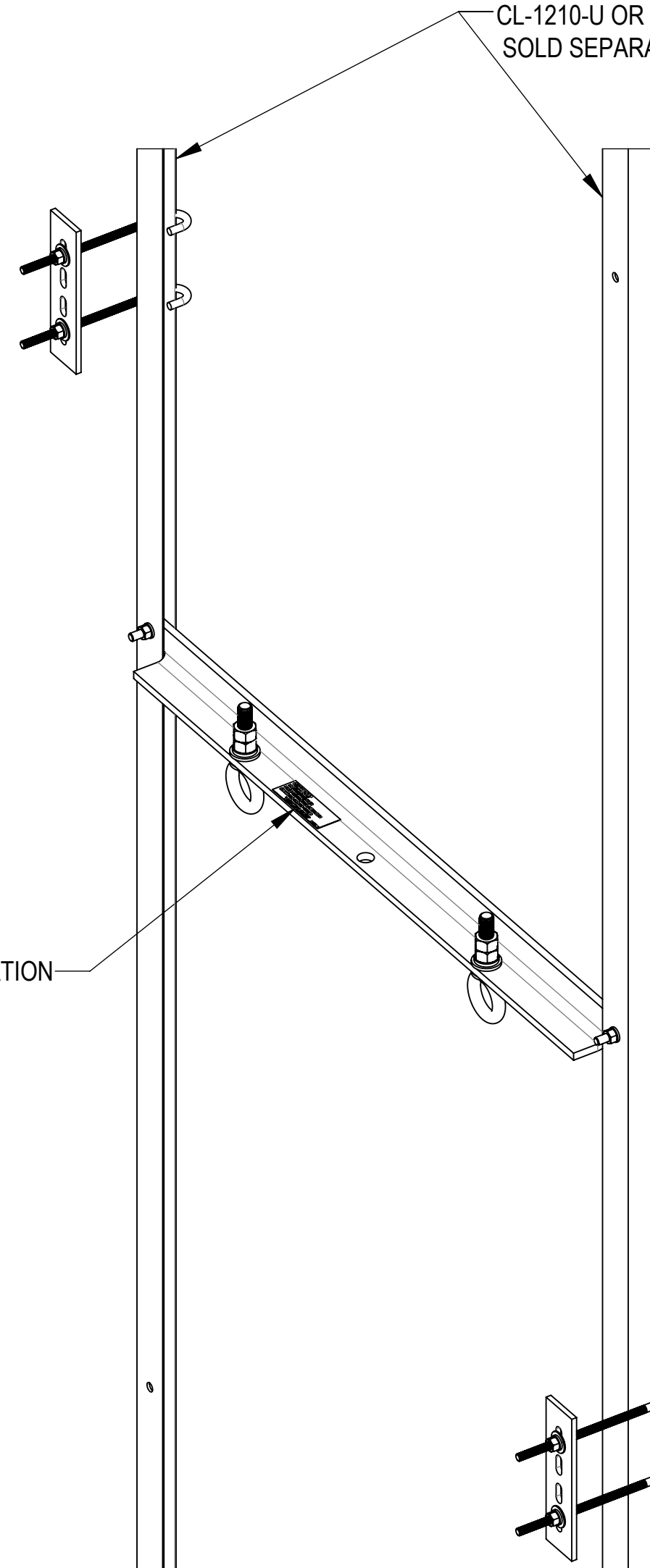
SIDE RAIL AND ROUND MEMBER
SOLD SEPARATELY



ROUND MEMBER
SET-UP

CL-1210-U OR CL-1220-U
SOLD SEPARATELY

RECOMMENDED LOCATION



NOTE: -ANY ARRANGEMENTS OF THE EYEBOLTS IS ACCEPTABLE
 -MAXIMUM LOADING CAPACITY PER EYEBOLT = 1000 LBS
 -MAXIMUM LOADING CAPACITY IN ANY COMBINATION = 1000 LBS
 -NOT TO BE USED FOR HOISTING
 -CABLE LADDER TO BE INSPECTED BY COMPETENT PERSON
 TO ENSURE PROPER INSTALLATION PRIOR TO INSTALL
 -DESIGNED TO BE UTILIZED ON "CL-1210-U" OR "CL-1220-U"

COMMSCOPE, INC. OF NORTH CAROLINA

TITLE
GRIP ANCHOR, CABLE LADDER,012

SIZE C SCALE 1:6 DOCUMENT NO. 860674608-012

DRAWING			SHEET 2 OF 2
VERSION	STATUS	REVISION	
02	RE	C	

© 2024 CommScope, Inc. Confidential

