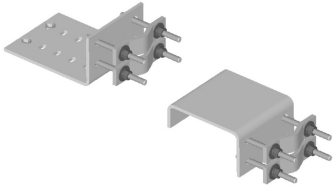


WT-HRM2-B



Water Tower Top Rail Mount for 2-3/8 in OD mounting pipe, plain end pipe not included

Product Classification

Product Type Water tower mount

General Specifications

Mounting Handrail | Toe board

Pipe, quantity 0

Dimensions

Height 889 mm | 35 in

Width 203.2 mm | 8 in

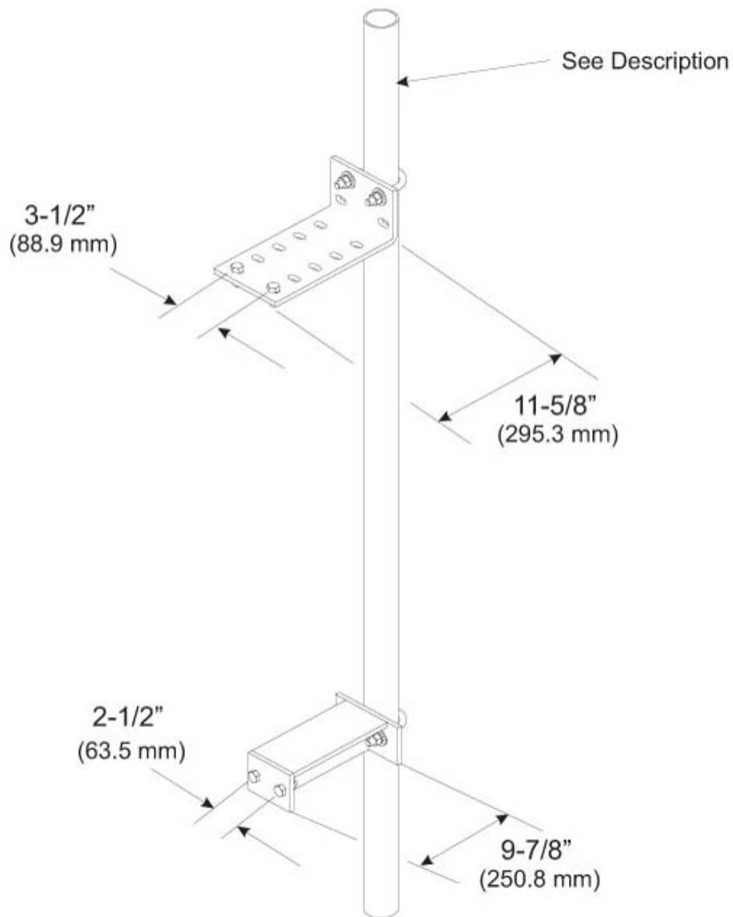
Length 609.6 mm | 24 in

Pipe Outer Diameter 60.96 mm | 2.4 in

Stand-off Distance 228.6 mm | 9 in

WT-HRM2-B

Outline Drawing



Material Specifications

Material Type Hot dip galvanized steel

Packaging and Weights

Included Hardware | Mount

Packaging quantity 1

Weight, net 9.299 kg | 20.5 lb

Regulatory Compliance/Certifications

Agency **Classification**

WT-HRM2-B

CHINA-ROHS	Below maximum concentration value
ISO 9001:2015	Designed, manufactured and/or distributed under this quality management system
REACH-SVHC	Compliant as per SVHC revision on www.commscope.com/ProductCompliance
ROHS	Compliant
UK-ROHS	Compliant

