

- 1.0 GENERAL NOTES
 - 1.1 ALL METRIC DIMENSIONS ARE IN BRACKETS [X. X]
 - 1.2 FOR PATENT INFO: <https://www.cs-pat.com>

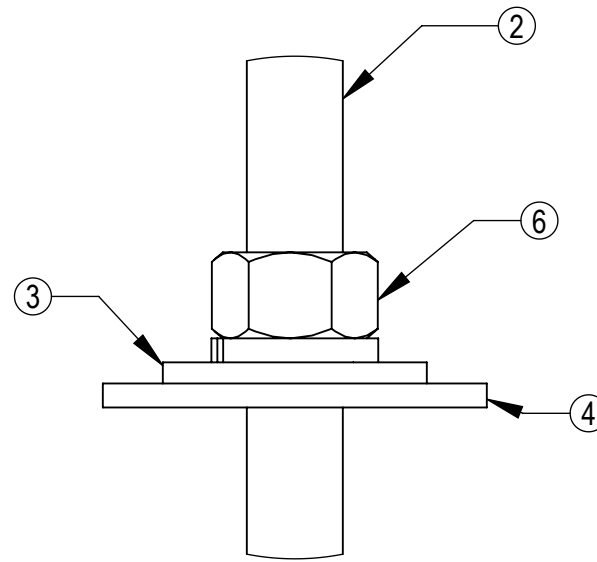
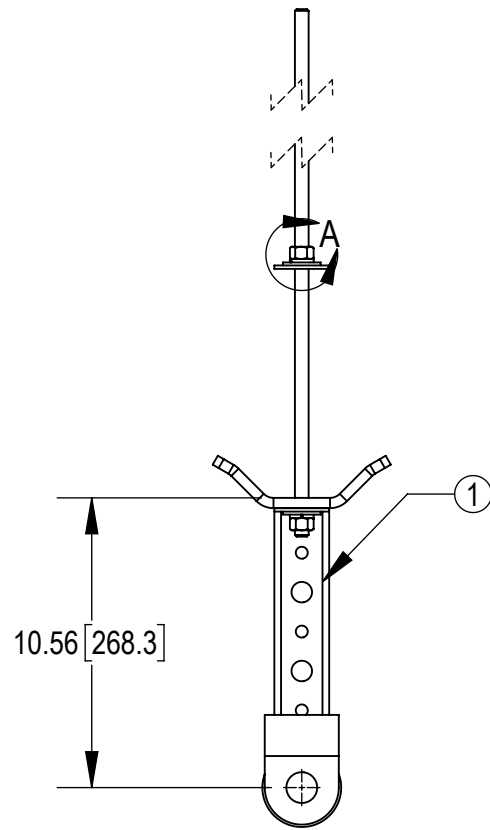
- 2.0 DESIGN NOTES
- 3.0 MANUFACTURING/SPECIAL REQUIREMENTS

3.1 TIGHTEN ALL BOLTS SECURING FLAT PLATES BY THE TURN-OF-NUT METHOD. TIGHTEN ALL U-BOLTS USING TURN-OF-NUT METHOD WITH ATTENTION TO LEAVE EQUAL DISTANCE AND EQUAL FORCE ON EACH LEG OF THE U-BOLT.

- 4.0 TEST
- 5.0 PACKAGING

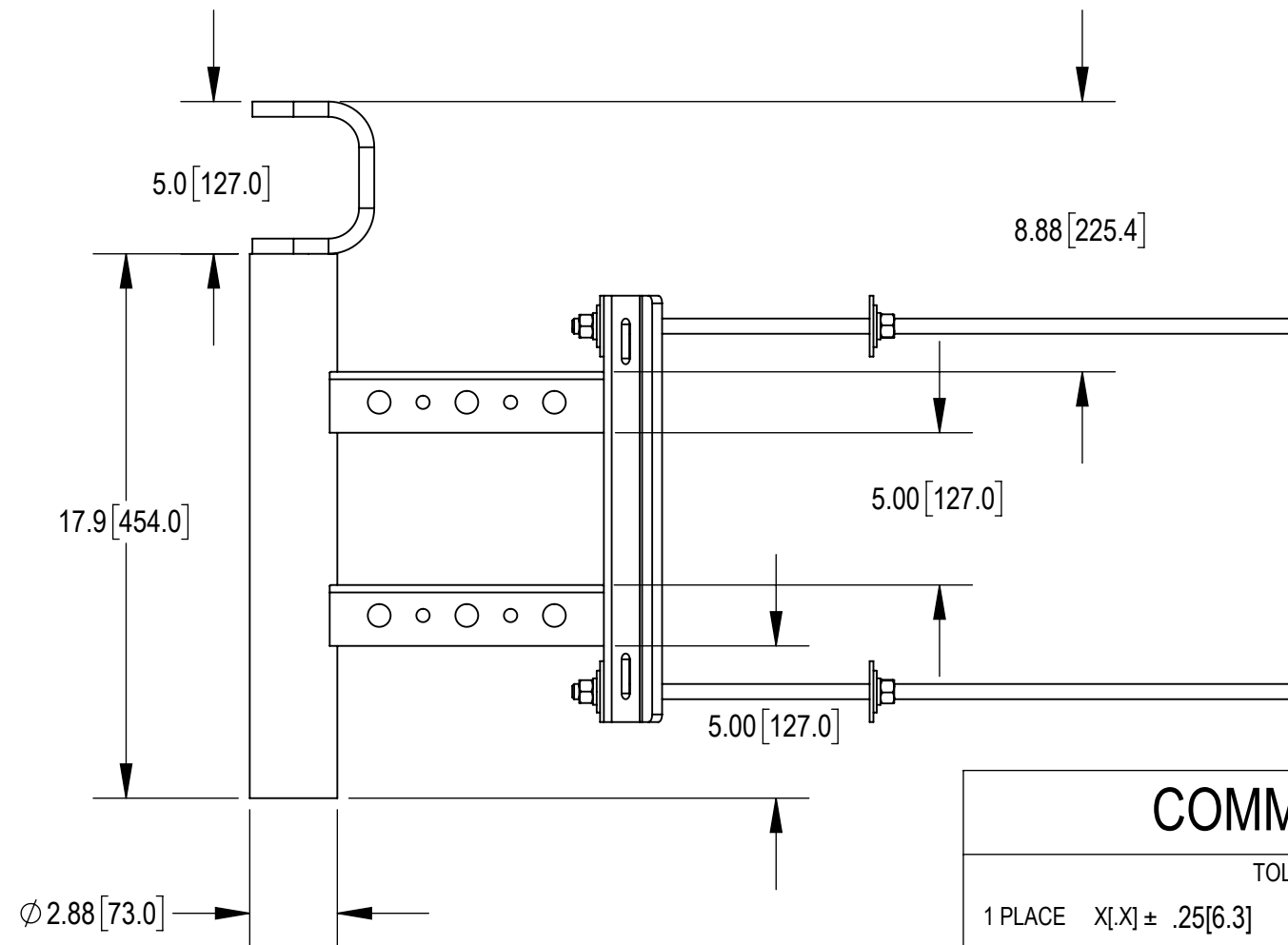
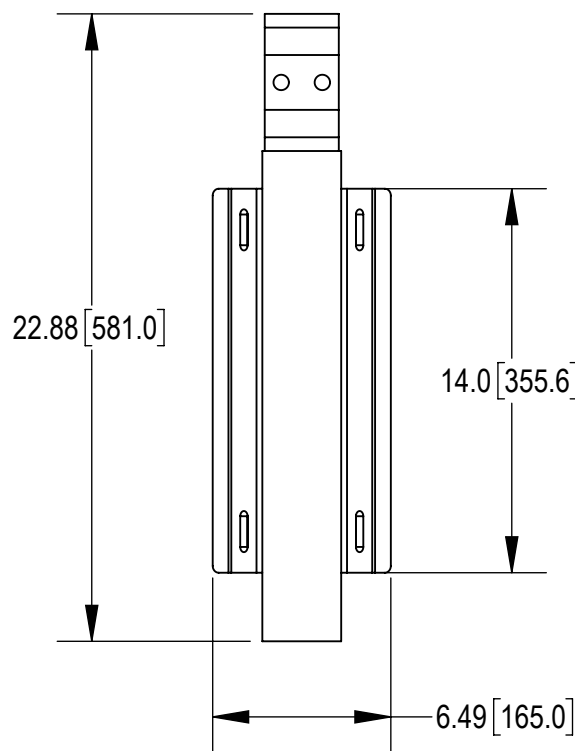
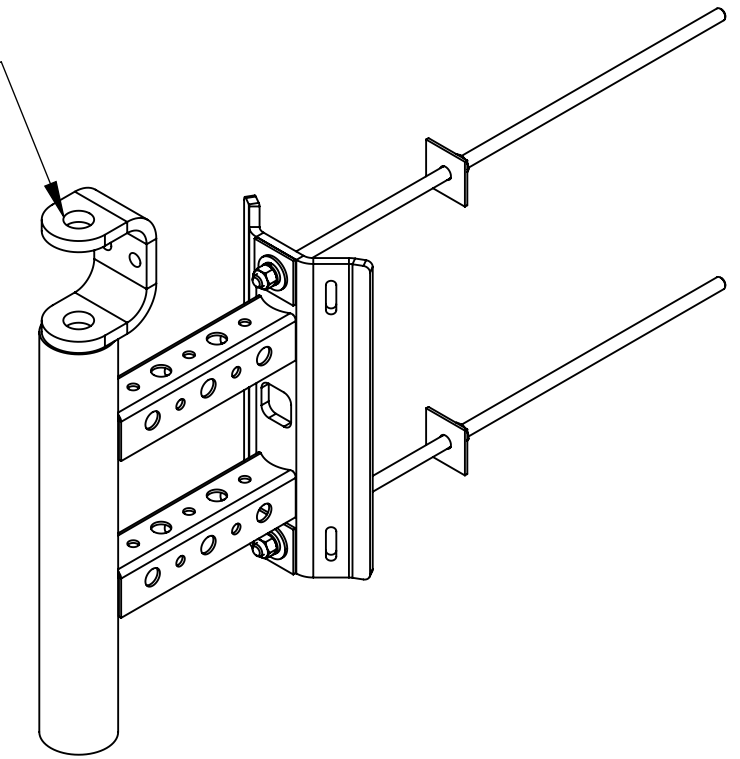
5.1 PACKAGING SHALL MEET COMMSCOPE REQUIREMENTS PER DOCUMENT IS-PL-3005
 5.2 PRINTED DOCUMENT TO BE PLACED INSIDE POLYBAG AND THEN IN SHIPPING CONTAINER
 5.3 EXTRA HARDWARE MAYBE SUPPLIED, BAGGED AND SHIPPED

REVISIONS			
REV.	DESCRIPTION	DATE	APPROVED
A	INITIAL RELEASE	MRC 19FEB19	TP 8000033832
B	UPDATED ALLTHREAD TO 24"	ES1081 09APR19	RD1048 8000034748
C	UPDATED ITEM 1 TO MTC4110-1060	LS1146 27SEP23	CJMANN 40180012CMO



DETAIL A
SCALE 1 : 1

CLEARANCE HOLE FOR 1" HARDWARE



COMMSCOPE, INC. OF NORTH CAROLINA

TOLERANCES		SAP MATERIAL MASTER	
1 PLACE X[X] ± .25[6.3]	3 PLACE .XXX[X] ± 0.060[1.5]	SCSM-5G	
2 PLACE .XX[X] ± 0.12[3.0]	ANGLES ± 2°		
FINISH		MATERIAL	
UNLESS OTHERWISE SPECIFIED DIMENSIONS ARE IN INCHES INTERPRET PER ANSI Y 14.5M-1994		TITLE	
CE	MTC	DATE	02/11/19
RW	LS1146	DATE	10/07/2023
RV		DATE	10/11/2023
AD	YMENG	DATE	10/19/2023
RE	YMENG	DATE	10/19/2023
ECN 40180012CMO		SCALE	
		1:6	
		DOCUMENT NO.	
		SCSM-5G	
SIZE		MODEL	
WORK AREA		INSL	
VERSION		STATUS	
02		IW	
REVISION		VERSION	
C		02	
DRAWING		STATUS	
RE		C	
SHEET		1 OF 2	

COMPONENT PART NUMBERS PROVIDED FOR ASSEMBLY PURPOSES;
 INDIVIDUAL COMPONENTS MAY BE SHIPPED AS PARTS WITHIN AN INCLUDED KIT.

ITEM NO.	PART NUMBER	DESCRIPTION	QTY.	WEIGHT	NOTE NO.
1	MTC4110-1060	WELDMENT, SMALL CELL SIDE MOUNT	1	22.23 LBS	
2	MT37924	1/2" X 24" GALV THREADED ROD	2	1.33 LBS	
3	GWF-04	1/2" GALV FLAT WASHER	4	0.04 LBS	
4	SW-12	BACKING PLATE, .125" X 2" X 2" W/ 9/16" HOLE	4	0.13 LBS	
5	GWL-04	1/2" GALV LOCK WASHER	4	0.01 LBS	
6	GN-04	1/2" GALV HEX NUT	4	0.04 LBS	

4

3

2

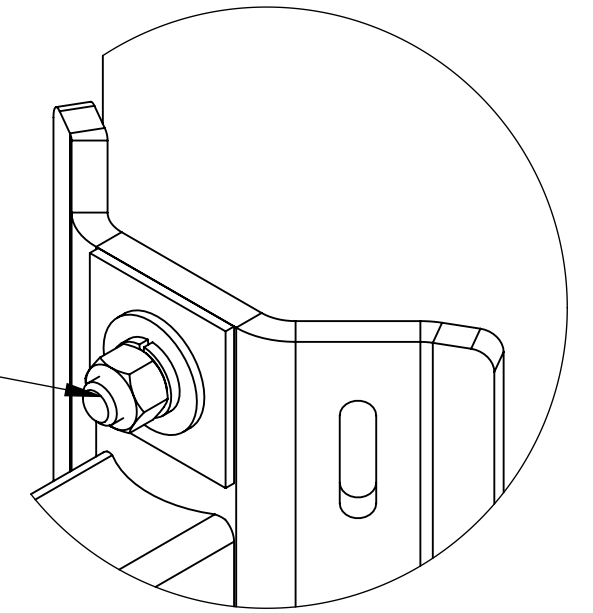
1

D

D

SOLD SEPARATELY

2
6
5
3
4



DETAIL B
SCALE 1:2

CAN BE USED WITH UP TO A 20" DIAMETER POLE

C

C

B


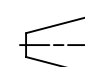
B

SOLD SEPARATELY

OPTIONAL
BANDING SLOTS
.375" X 1.50"

A

A

COMMSCOPE, INC. OF NORTH CAROLINA				
TITLE MOUNT, SMALL CELL, 5G SIDE ARM				
SIZE C	SCALE 1:4	DOCUMENT NO. SCSM-5G		
 		DRAWING		SHEET
		VERSION 02	STATUS RE	REVISION C

© 2023 CommScope, Inc. Confidential

4

3

2

1