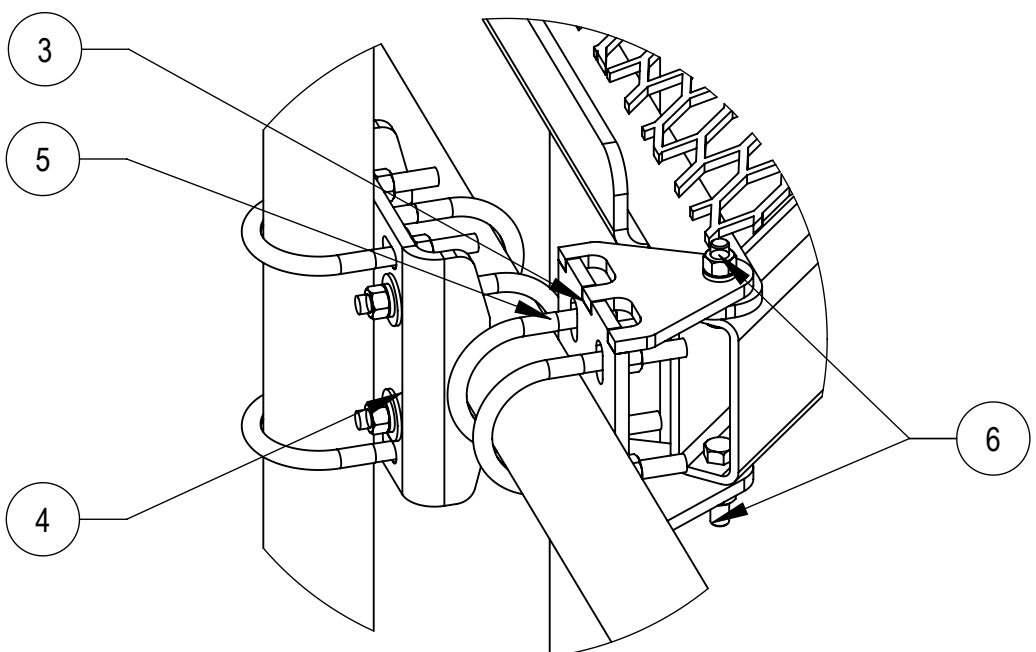


4

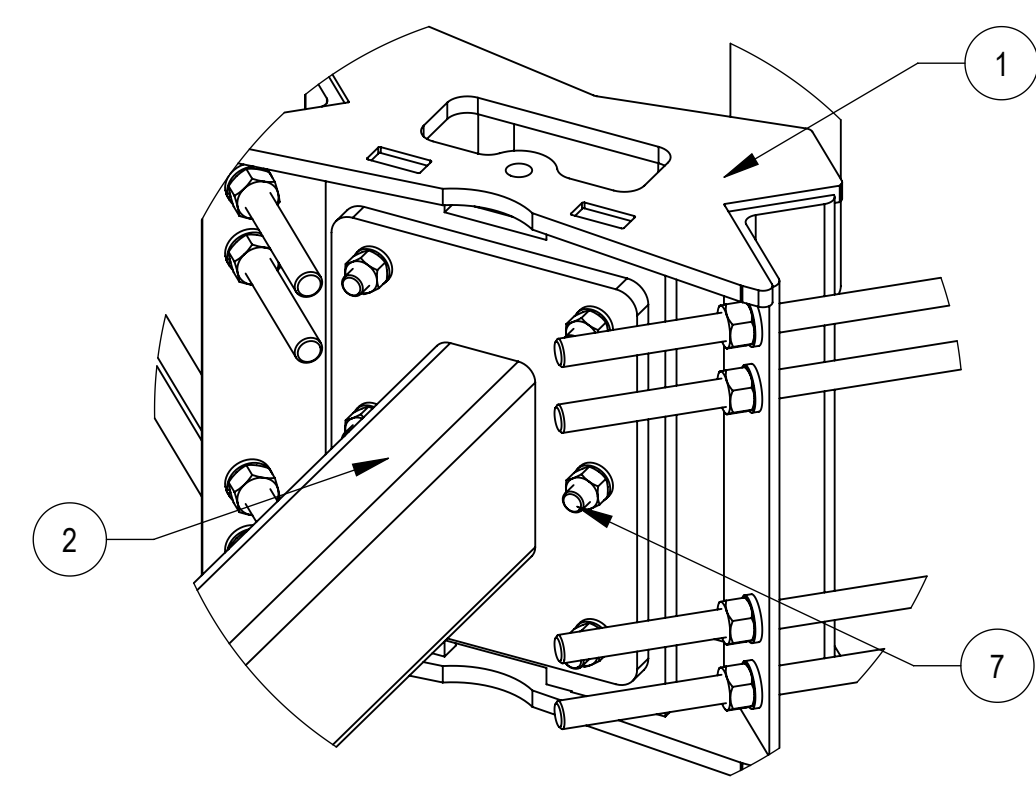
3

2

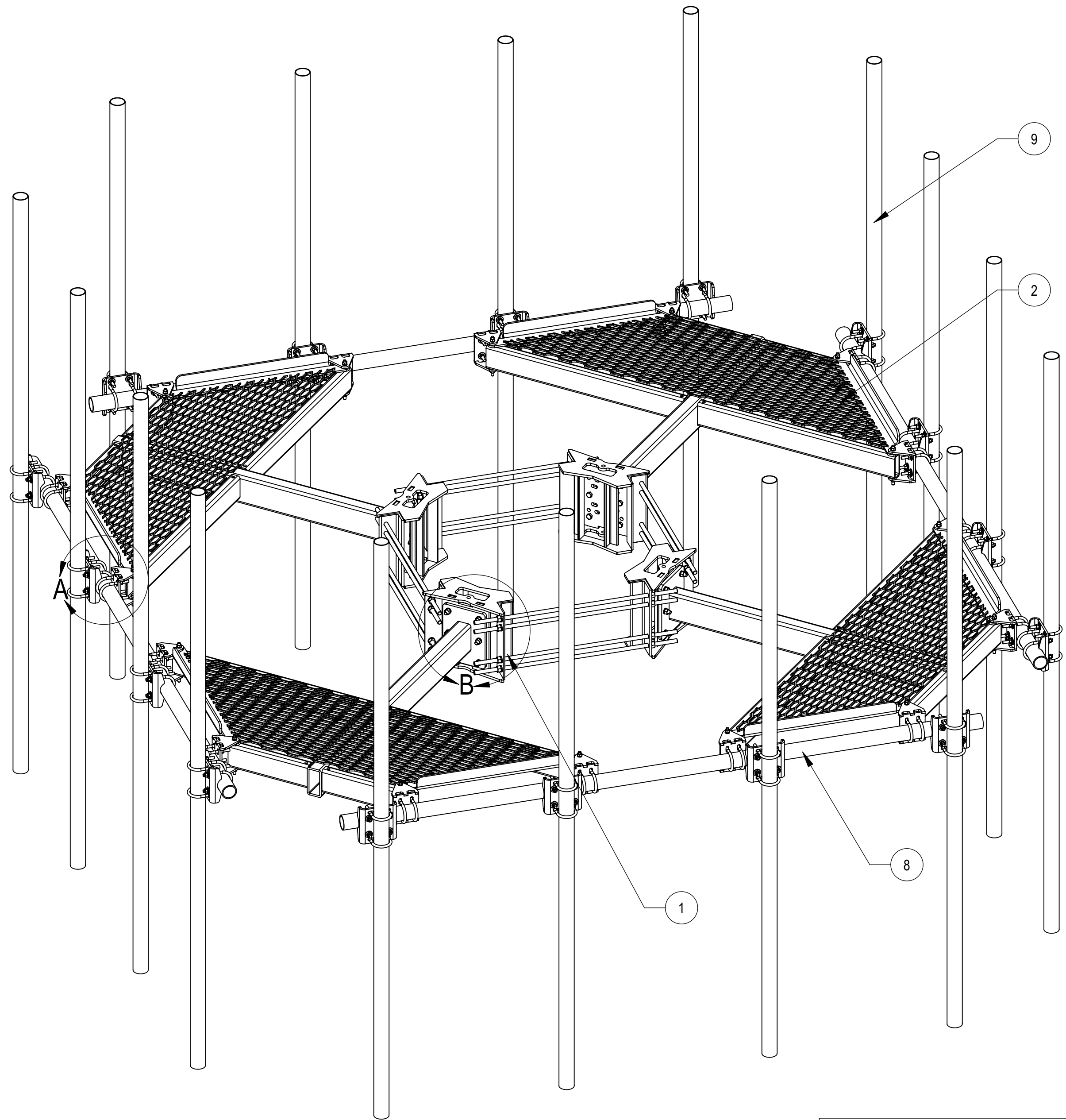
1



DETAIL A
SCALE 1 : 5

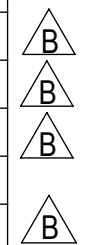


DETAIL B
SCALE 1 : 5



COMPONENT PART NUMBERS PROVIDED FOR ASSEMBLY PURPOSES;
INDIVIDUAL COMPONENTS MAY BE SHIPPED AS PARTS WITHIN AN INCLUDED KIT.

ITEM	PART NO.	DESCRIPTION	QTY.	WEIGHT	NOTE NO.
1	MC-RMHD-1545-4	4 SECTOR RING MOUNT, 15"-45" POLE	1	386.57LBS	
2	MC-PM4-1000	WELDMENT, CO-LOCATION PLATFORM	4	289.67 LBS	
3	MCPM-2005-00	BRACKET, PIPE MOUNTING	16	5.47 LBS	
4	MT-219N-H	SADDLE PIPE MOUNTING KIT, 2-7/8" OD	16	10.61 LBS	
5	GUB-4352	1/2" X 3" X 5-1/4" GALV U-BOLT	32	0.71 LBS	
6	GB-04205	1/2" X 2" GALV BOLT KIT	32	0.16 LBS	
7	GB-0524A	5/8" X 2-1/2" GALV BOLT KIT (A325)	24	0.30 LBS	
8	MT-546-126	PIPE, 2.875"OD X 126"	4	61.05 LBS	
9	MT546126120	PIPE, 2.875"OD X 126"	16	37.21 LBS	



COMMSCOPE, INC. OF NORTH CAROLINA				
TITLE ATLAS4, 10' FP,(16)2.88" X126"AP				
SIZE C	SCALE 1:48	DOCUMENT NO. MC-PM10M4-16-126		
DRAWING		VERSION	STATUS	REVISION
		01	RE	B
				SHEET 2 OF 7

© 2022 CommScope, Inc. Confidential

4

3

2

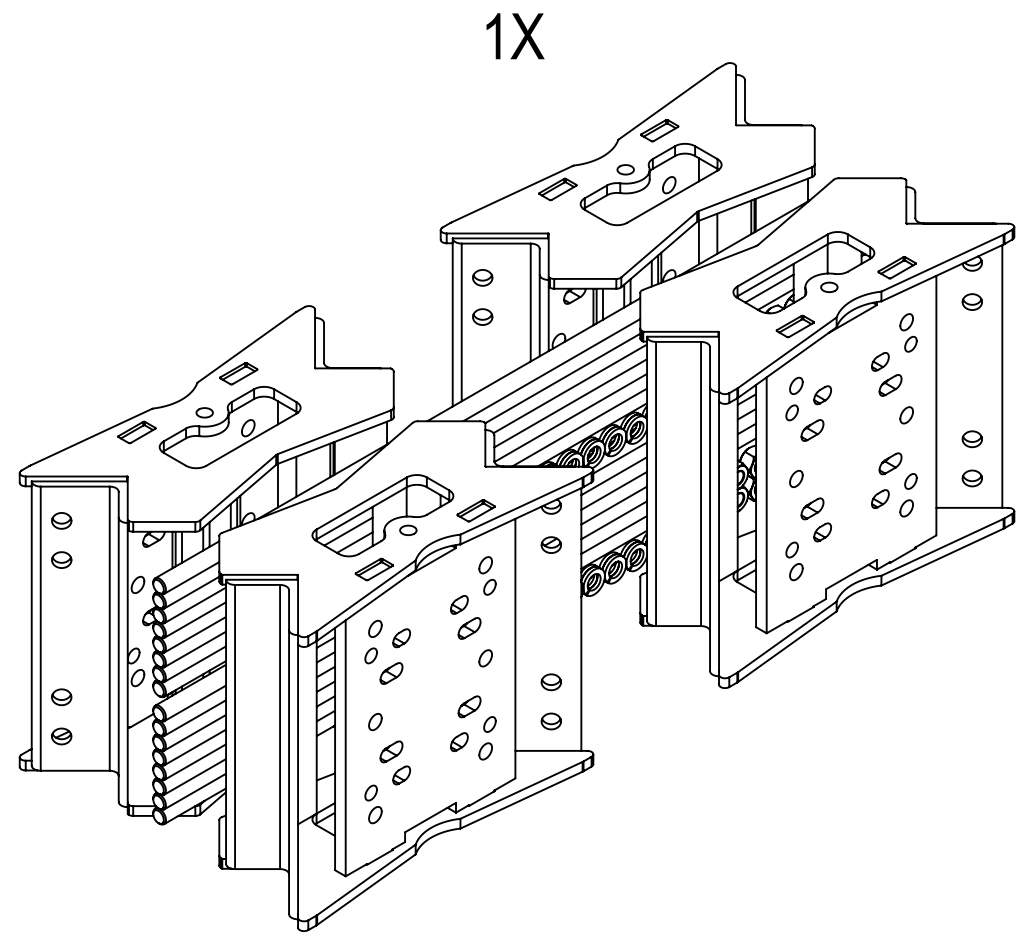
1

4

3

2

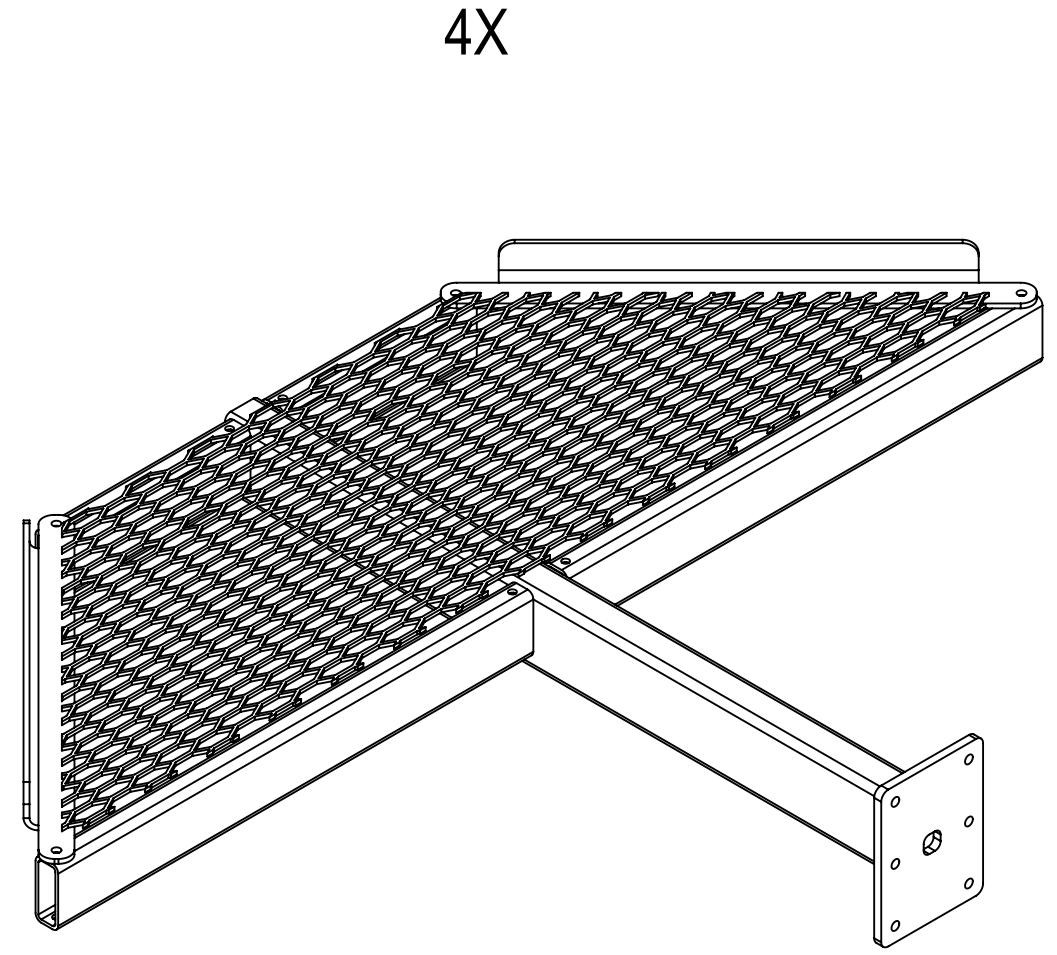
1



1X

MC-RMHD-1545-4

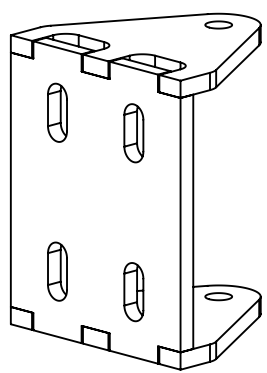
(INCLUDING 1X RMHD1545-4-1000, 16X MT38440, 32X GWL-06 AND 32X GN-06)



4X

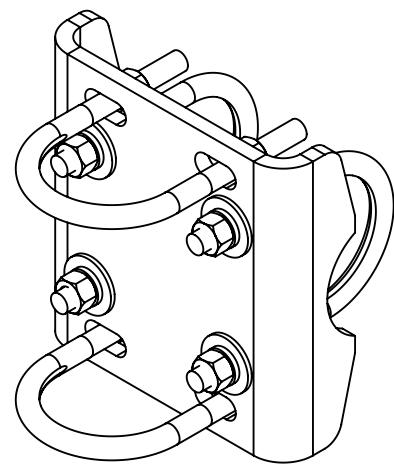
MC-PM4-1000

16X



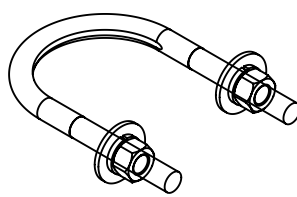
MCPM-2005-00

16X



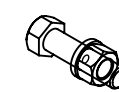
MT-219N-H

32X



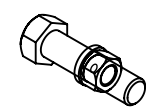
GUB-4352

32X



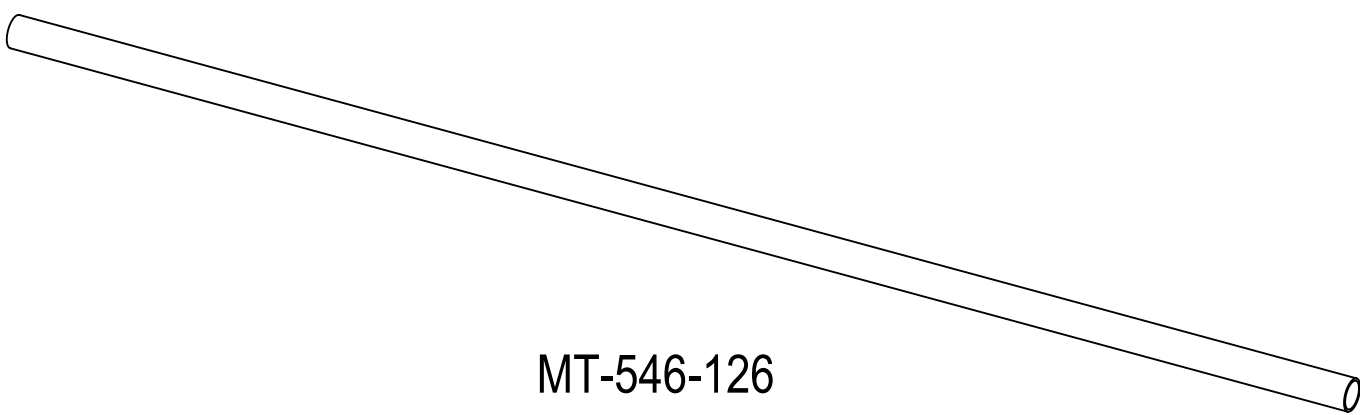
GB-04205

24X



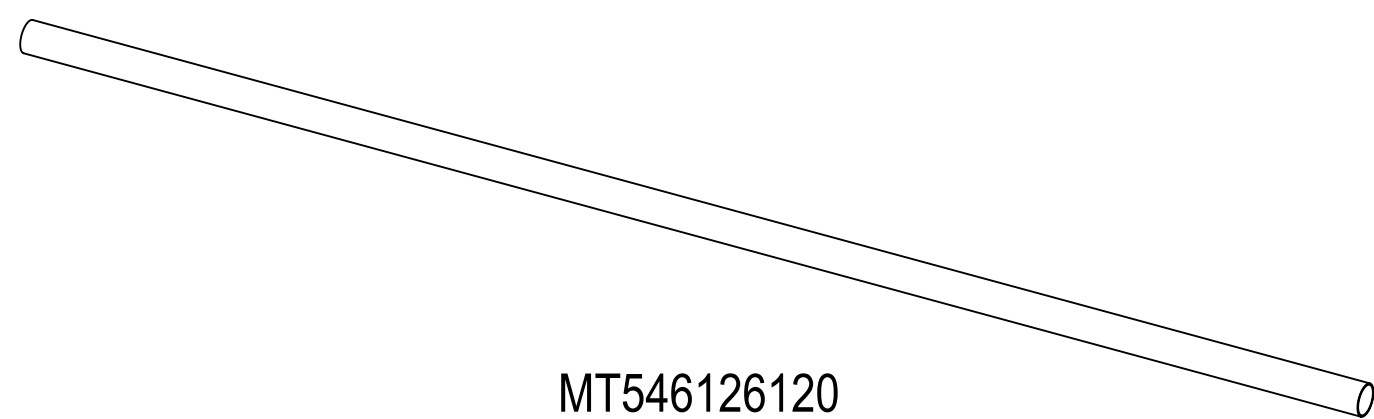
GB-0524A

4X



MT-546-126

16X



MT546126120

COMMSCOPE, INC. OF NORTH CAROLINA

TITLE
ATLAS4, 10' FP,(16)2.88" X126"AP

SIZE C	SCALE 1:8	DOCUMENT NO. MC-PM10M4-16-126		
------------------	---------------------	---	--	--

	DRAWING			SHEET 3 OF 7
	VERSION 01	STATUS RE	REVISION B	

© 2022 CommScope, Inc. Confidential

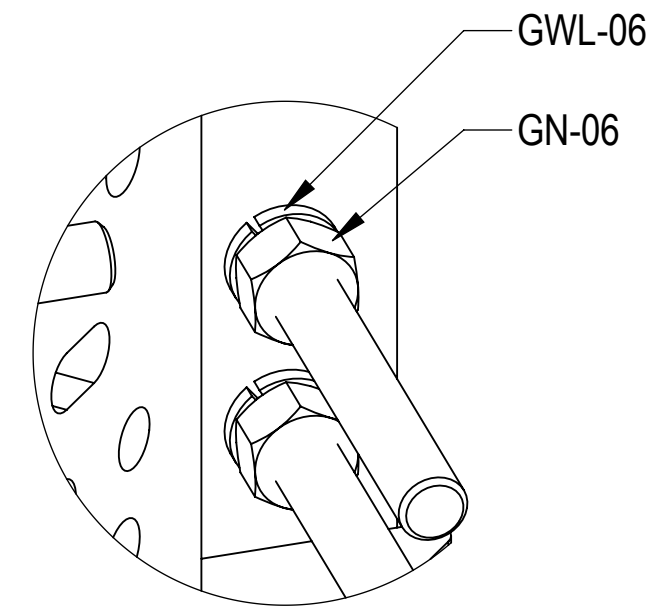
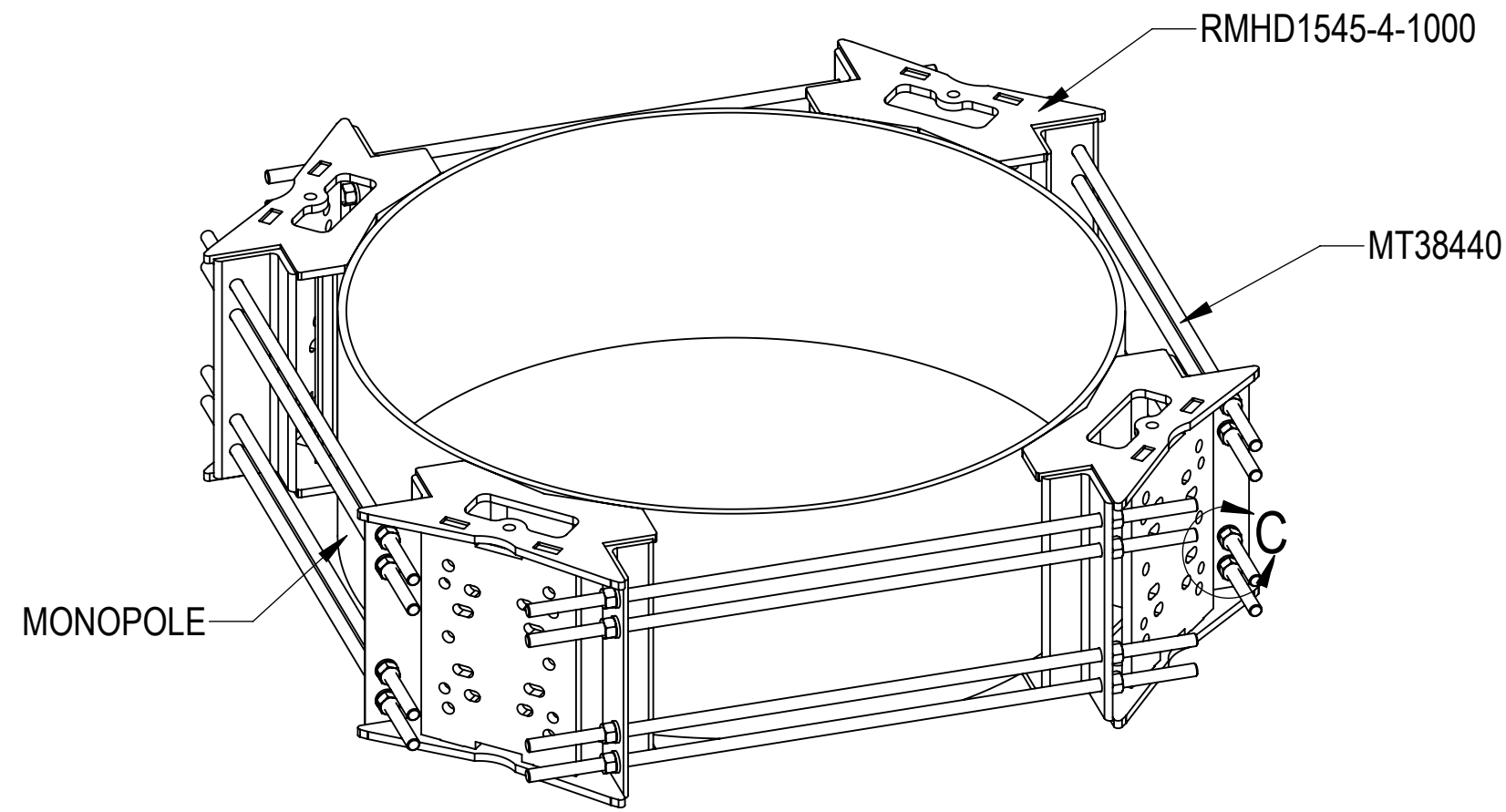
4

3

2

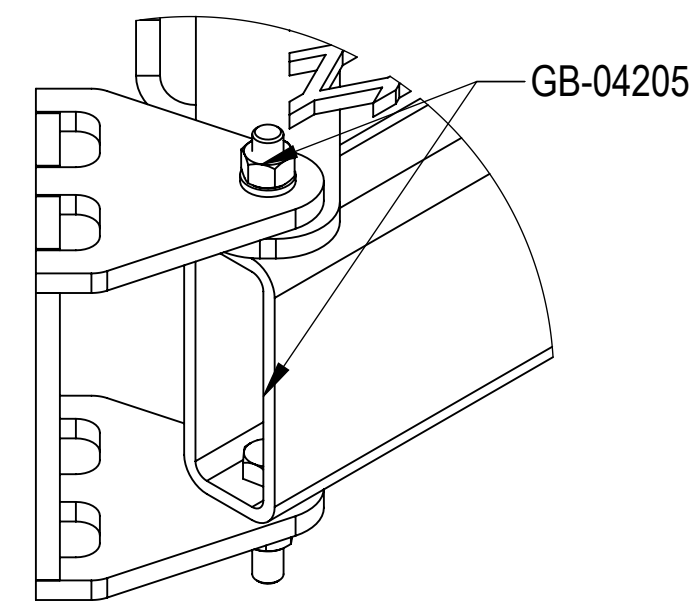
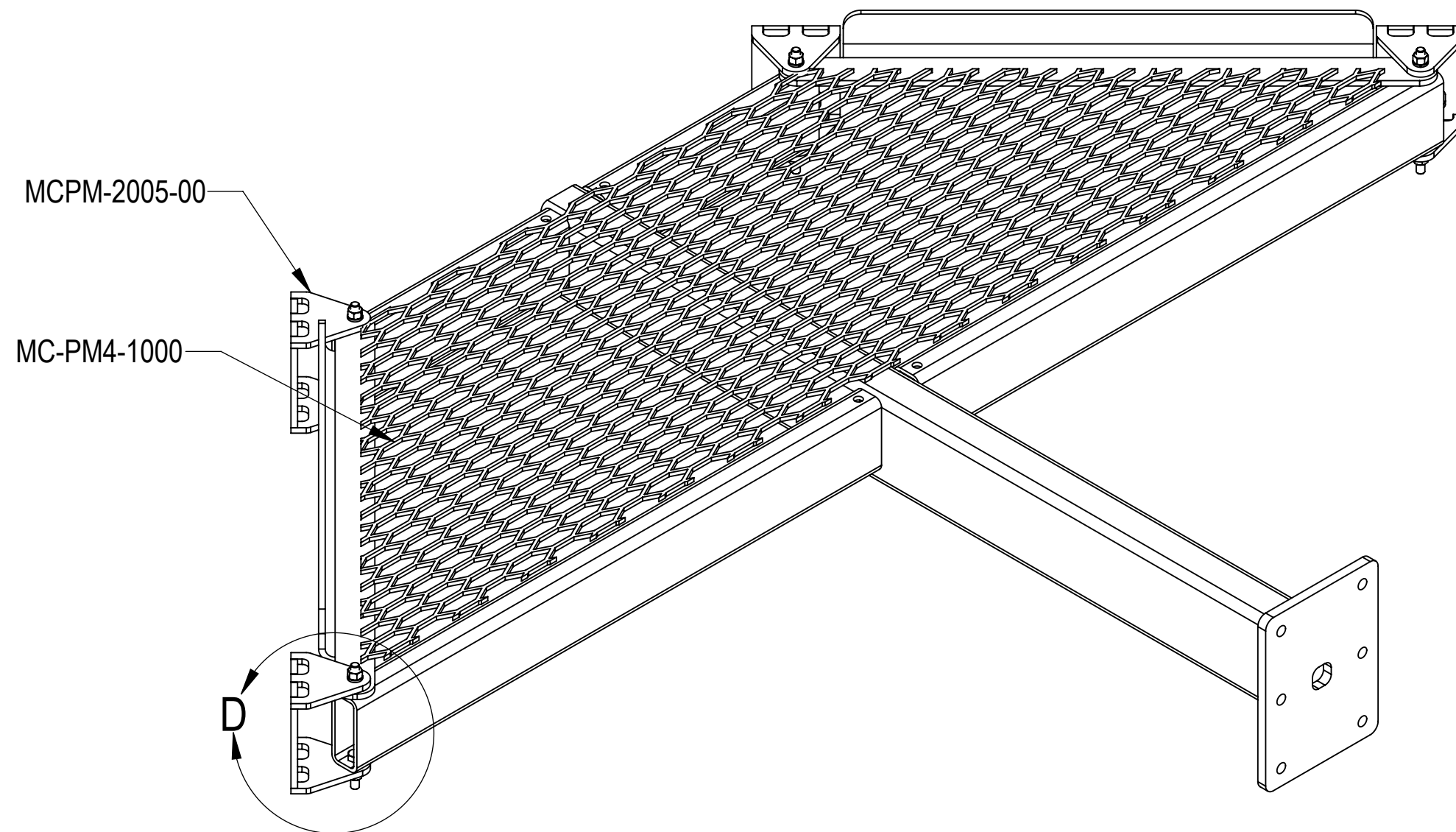
1

STEP 1: ATTACH RING MOUNT SECTORS(RMHD1545-4-1000) TO MONOPOLE USING THREAD RODS (MT38440) AND NUT KITS (GWL-06 & GN-06)


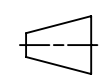


DETAIL C
SCALE 1 : 2

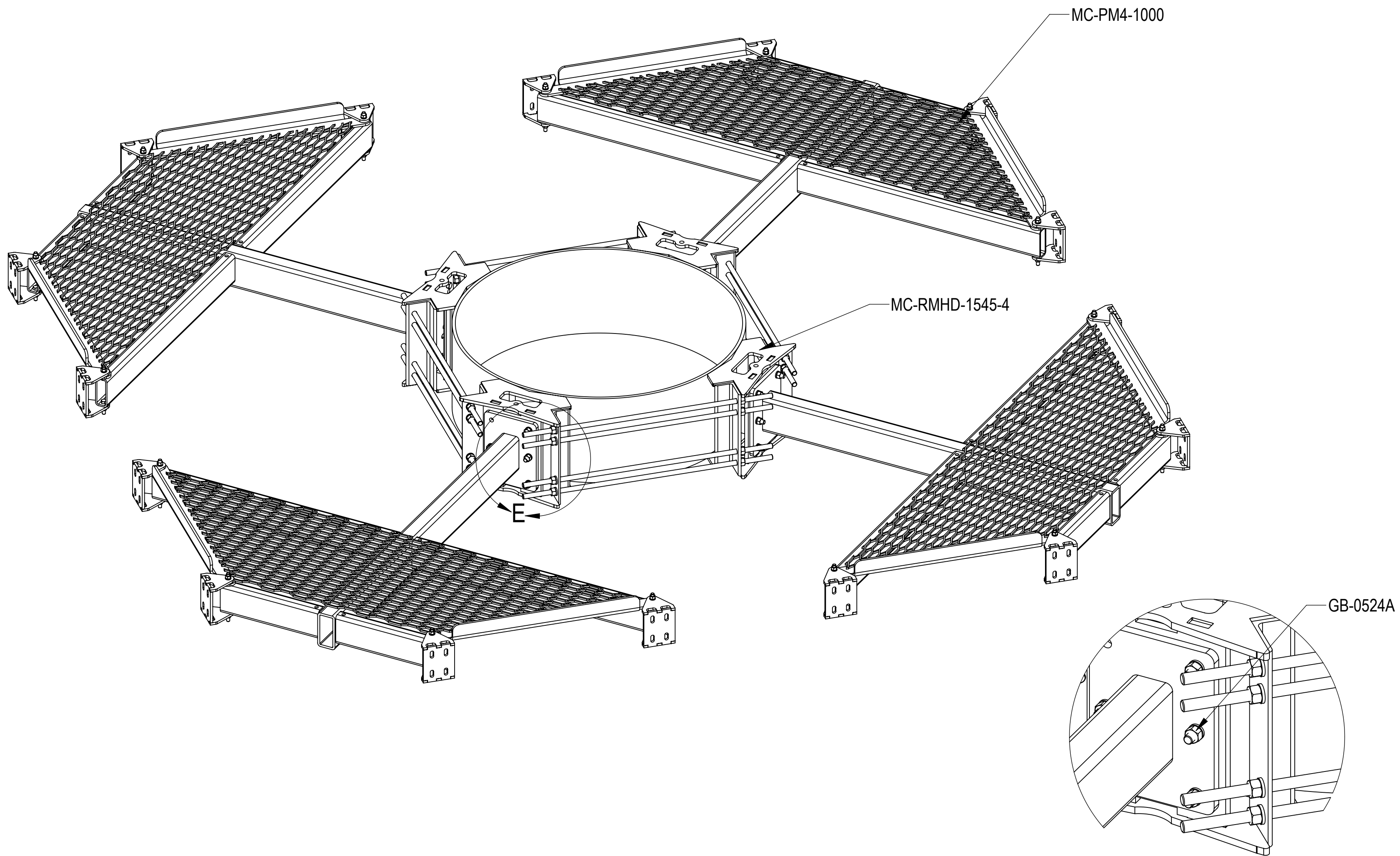
STEP 2: ATTACH PIPE MOUNTING BRACKETS (MCPM-2005-00) TO T-ARMS (MC-PM4-1000) USING BOLT KITS (GB-04205)



DETAIL D
SCALE 1 : 3

COMMSCOPE, INC. OF NORTH CAROLINA				
TITLE ATLAS4, 10' FP,(16)2.88" X126"AP				
SIZE C	SCALE 1:48	DOCUMENT NO. MC-PM10M4-16-126		
 		DRAWING		SHEET
		VERSION 01	STATUS RE	REVISION B

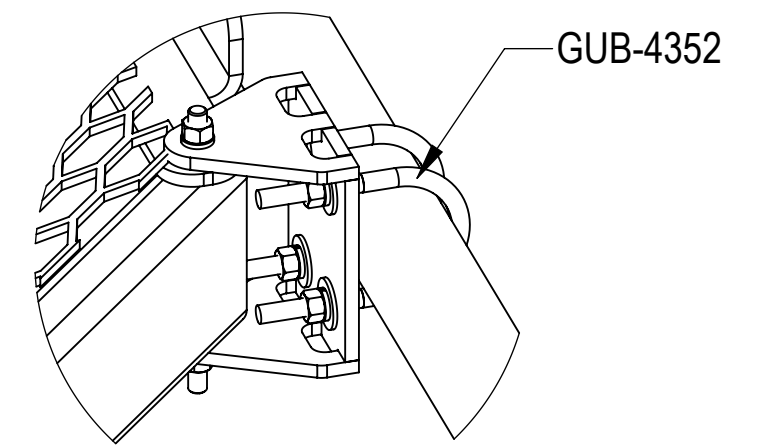
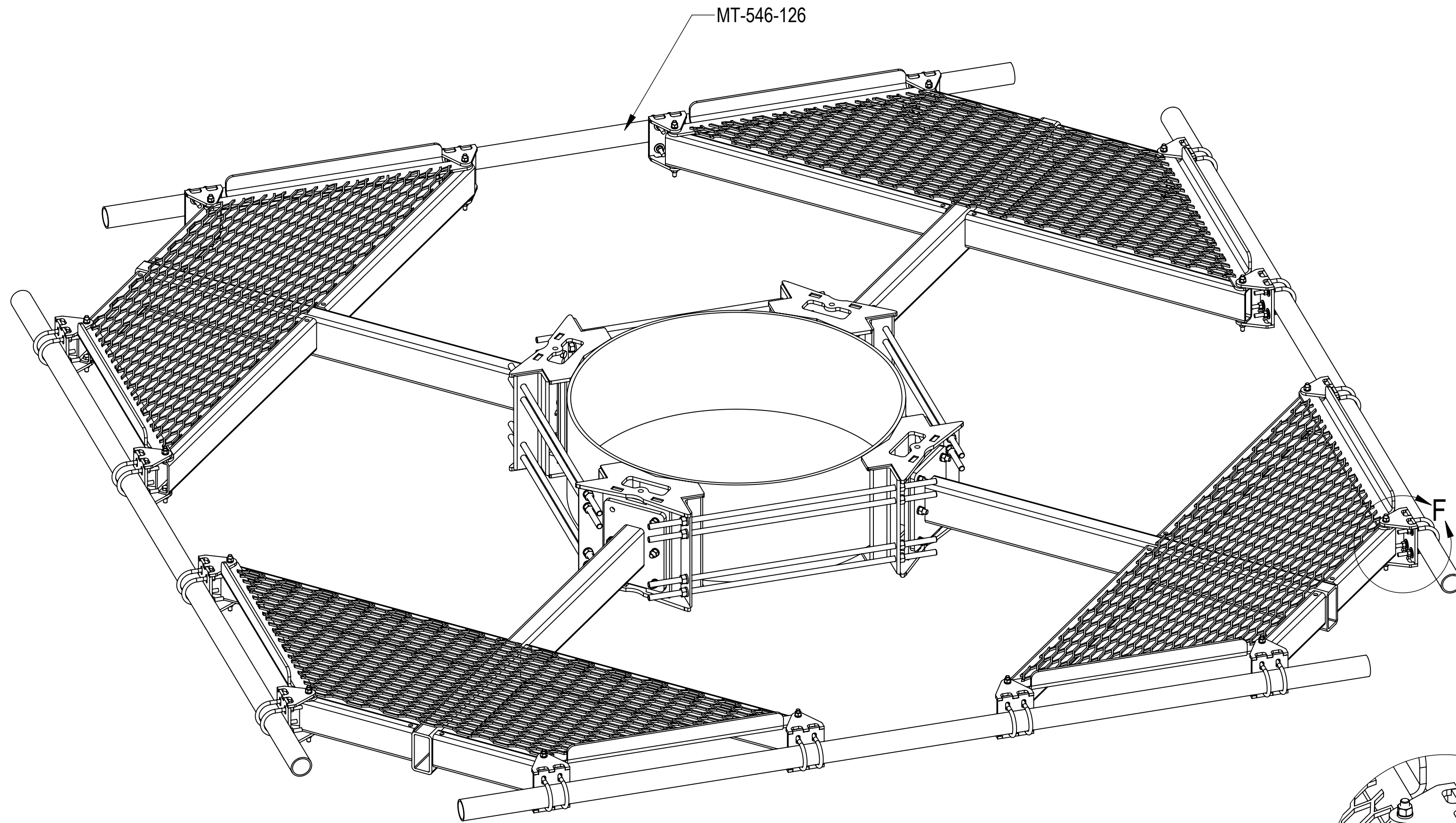
STEP 3: ATTACH T-ARMS (MC-PM4-1000) TO RING MOUNT (MC-RMHD-1545-4) USING BOLT KITS (GB-0524A)



DETAIL E
SCALE 1 : 5

COMMSCOPE, INC. OF NORTH CAROLINA				
TITLE ATLAS4, 10' FP,(16)2.88" X126"AP				
SIZE C	SCALE 1:48	DOCUMENT NO. MC-PM10M4-16-126		
		DRAWING		SHEET
		VERSION	STATUS	REVISION
		01	RE	B
				5 OF 7

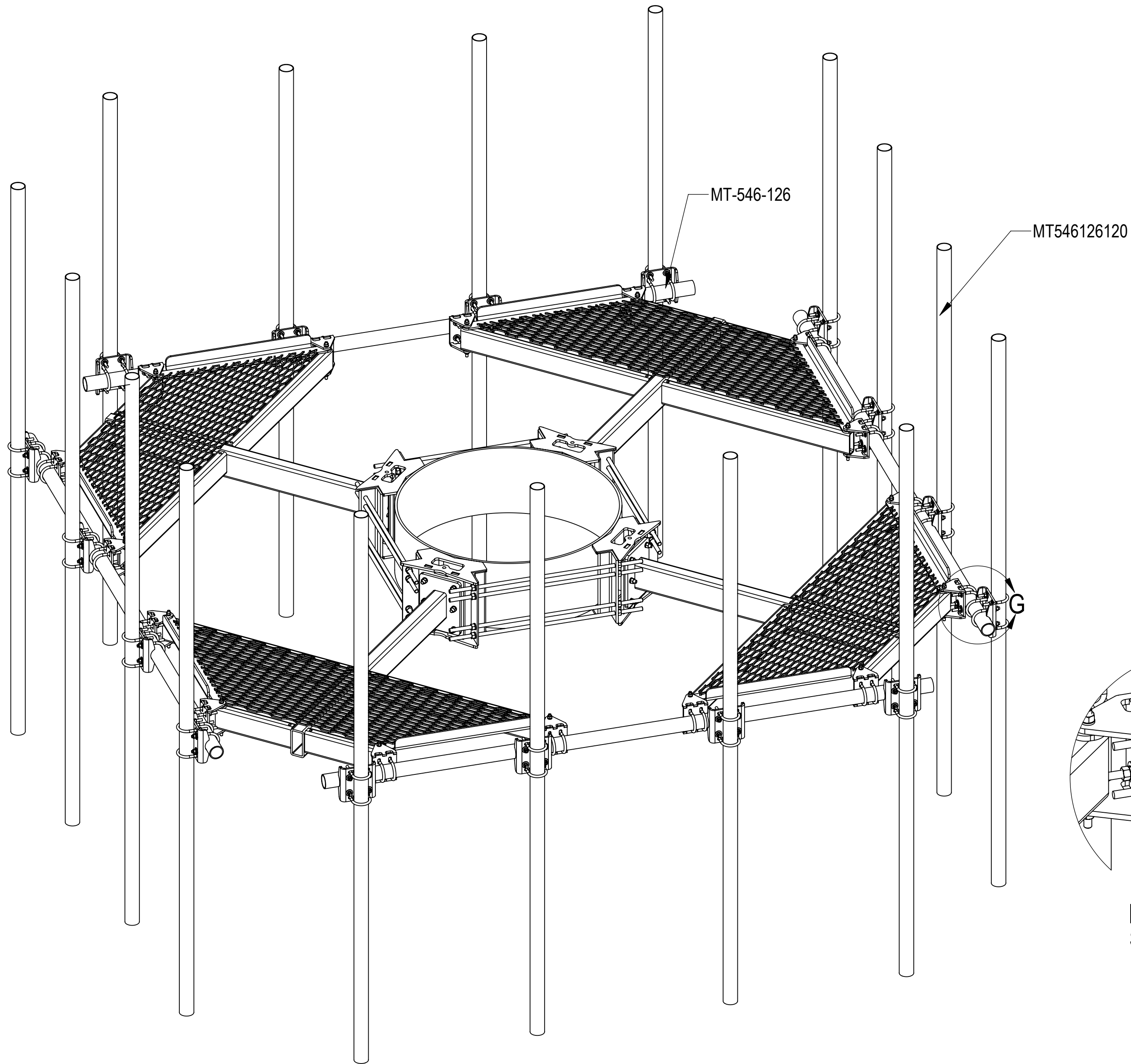
STEP 4: ATTACH FACE PIPES (MT-546-126) TO T-ARMS (MC-PM4-1000) USING U-BOLT KITS (GUB-4352)



DETAIL F
SCALE 1 : 5

COMMSCOPE, INC. OF NORTH CAROLINA					
TITLE ATLAS4, 10' FP,(16)2.88" X126"AP					
SIZE C	SCALE 1:48	DOCUMENT NO. MC-PM10M4-16-126			
		DRAWING			SHEET 6 OF 7
		VERSION 01	STATUS RE	REVISION B	

STEP 5: ATTACH ANT PIPES (MT546126120) TO FACE PIPES (MT-546-126) USING SADDLE PIPE MOUNTING PLATES (MT-219N-H)



DETAIL G
SCALE 1 : 5

COMMSCOPE, INC. OF NORTH CAROLINA					
TITLE ATLAS4, 10' FP,(16)2.88" X126"AP					
SIZE C	SCALE 1:48	DOCUMENT NO. MC-PM10M4-16-126			
		DRAWING			SHEET
		VERSION	STATUS	REVISION	7 OF 7
		01	RE	B	