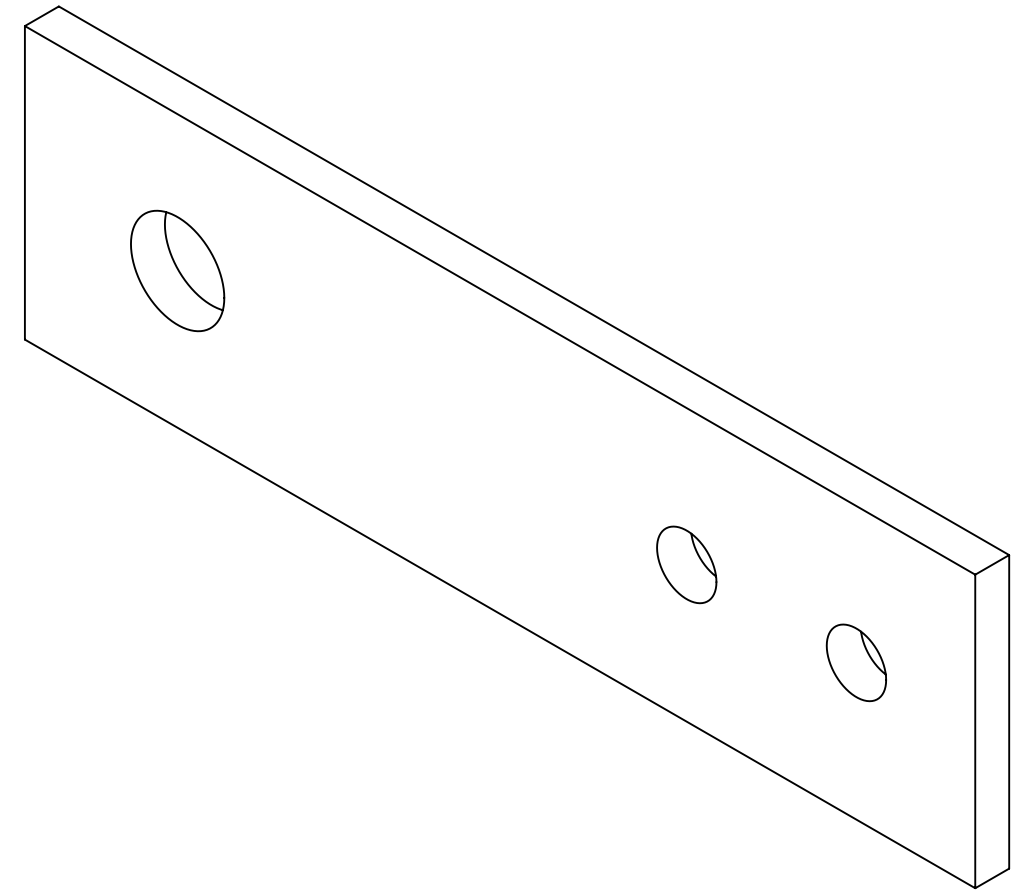
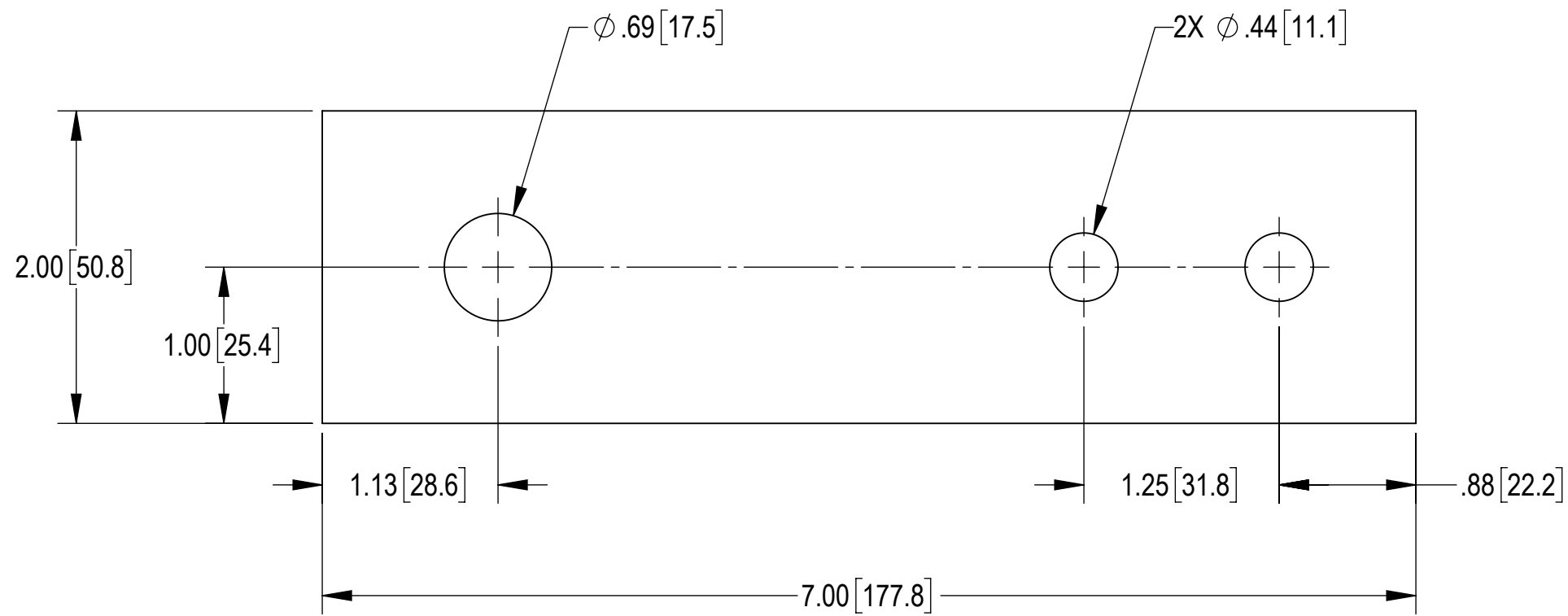


- 1.0 GENERAL NOTES
 - 1.1 ALL METRIC DIMENSIONS ARE IN BRACKETS [X. X]
 - 1.2 FEATURES CRITICAL TO QUALITY ARE INDICATED IN ROUNDED BOX (X.X)
 - 1.3 3D DIGITAL FILES ARE FOR REFERENCE. IN CASE OF CONFLICT FOLLOW PDF DRAWING.
- 2.0 DESIGN NOTES
- 3.0 MANUFACTURING/SPECIAL REQUIREMENTS
 - 3.1 BREAK SHARP EDGES AND DEBURR PART FOR SAFE HANDLING
 - 3.2 GALVANIZE PER ASTM A123
 - 3.3 MARK WITH PART NUMBER, REVISION, AND VENDOR ID WITH ETCH, STAMP OR LABEL. CHARACTERS TO BE 0.12" TO 0.24" HIGH AND LEGIBLE TO THE UNAIDED EYE.
- 4.0 TEST
- 5.0 PACKAGING
 - 5.1 PACKAGING SHALL MEET COMMSCOPE REQUIREMENTS PER DOCUMENT IS-PL-3005

REVISIONS			
REV.	DESCRIPTION	DATE	APPROVED
A	INITIAL RELEASE	RY1002 19SEP23	YZ1080 40179494CMO



MID	FINISH
TMP-2	GALV A123
TMP-2-BR	N/A

COMMSCOPE, INC. OF NORTH CAROLINA											
TOLERANCES					SAP MATERIAL MASTER						
1 PLACE .X[X] ± 0.1[3.0]		3 PLACE .XXX[X] ± 0.030[0.8]			SEE TABLE						
2 PLACE .XX[X] ± 0.06[1.5]		ANGLES ± 1°			FINISH SEE TABLE						
MATERIAL PLATE STEEL 1/4"X48X96 A1018 GR36					TITLE PLATE, 1/4"X2"X7"						
UNLESS OTHERWISE SPECIFIED DIMENSIONS ARE IN INCHES INTERPRET PER ANSI Y 14.5M-1994	CE	RY1002	19SEP23	SCALE 1:1						DOCUMENT NO. TMP-2	
	RW	RY1002	09/19/2023								
	AD	YZ1080	09/26/2023								
	RE	YMENG	09/26/2023								
	ECN 40179494CMO										
SIZE	Auth Group	INSL	MODEL			DRAWING			SHEET 1 OF 1		
C			VERSION	STATUS	REVISION	VERSION	STATUS	REVISION			
			00	RE	A	00	RE	A			

DENSITY	0.28	lbs/in ³
MASS	0.94	lbs
VOLUME	3.33	in ³
SURFACE AREA	32.38	in ²
HEIGHT	0.25"	
LENGTH	7.00"	
WIDTH	2.00"	