

Universal Grounding Kit
for HELIAX[®] Coax, and FiberFeed[™] Installations
Bulletin 237595, Rev C page 1 of 4

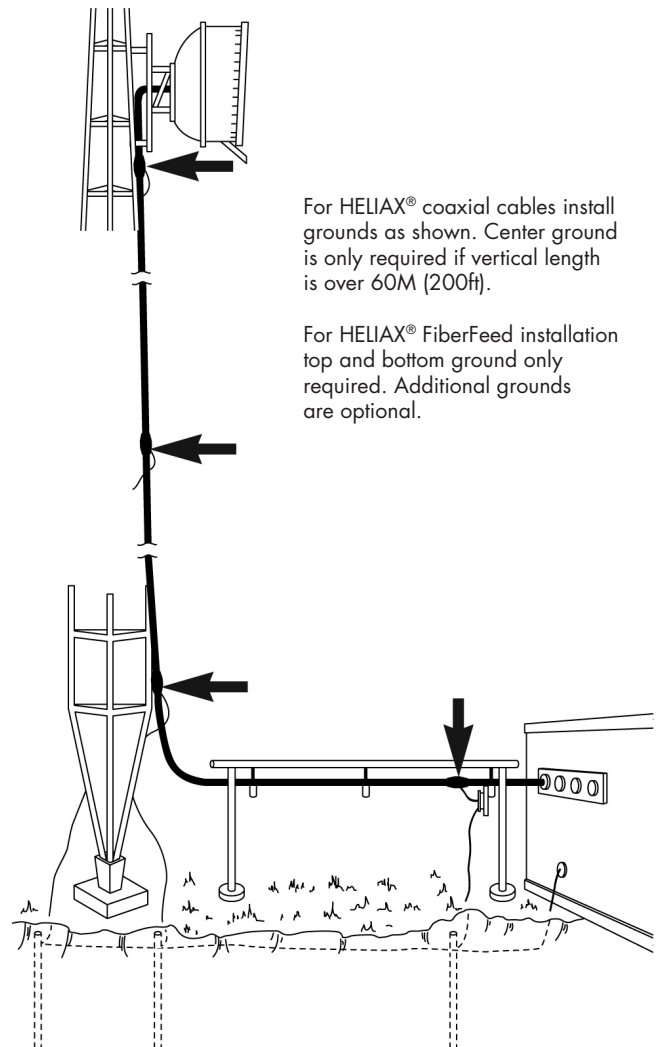
READ ALL WARNINGS AND INSTRUCTIONS BEFORE INSTALLATION

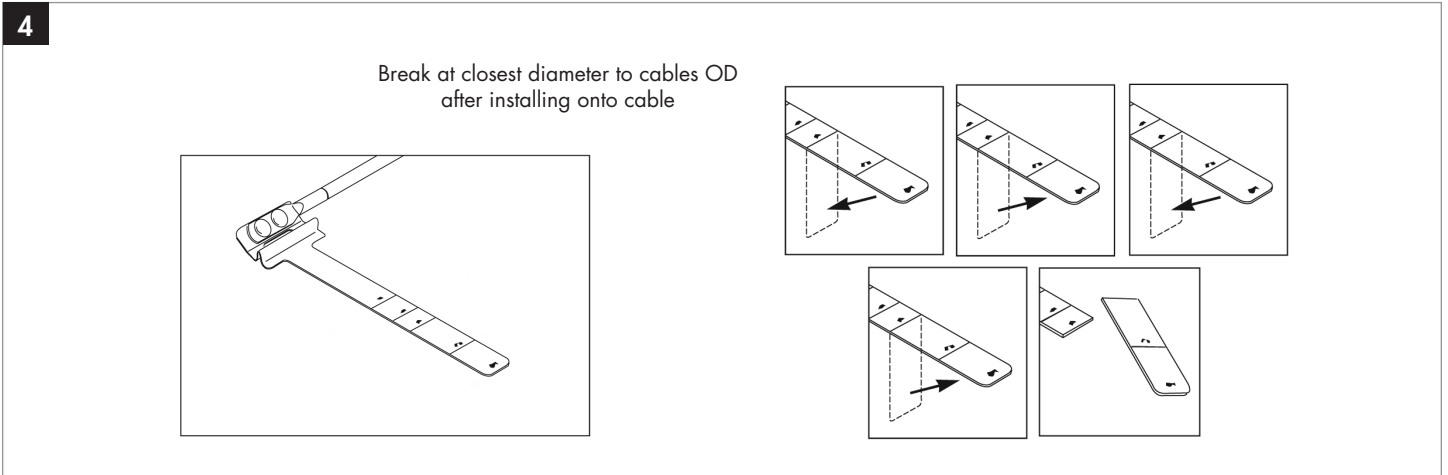
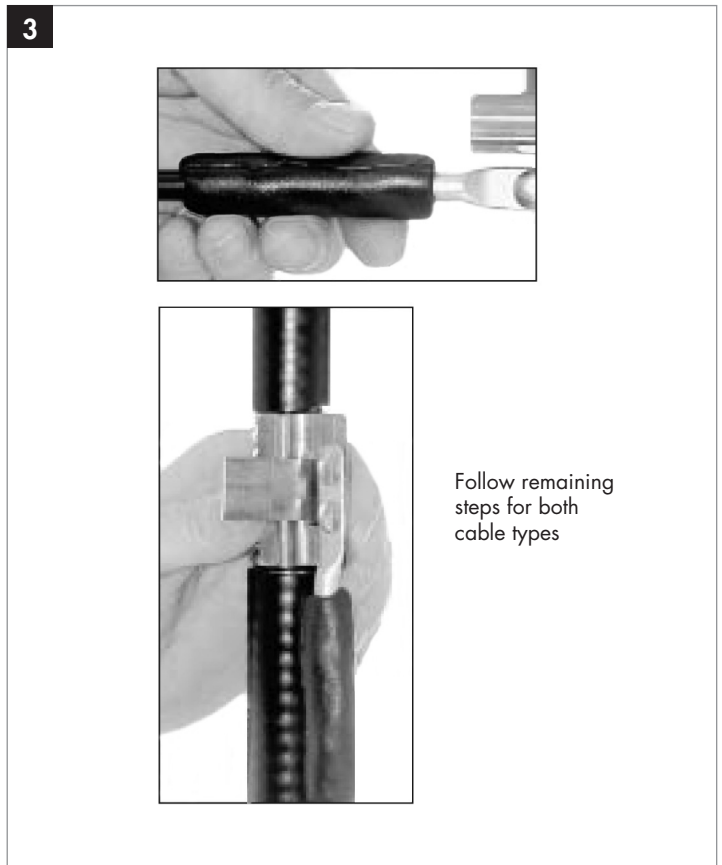
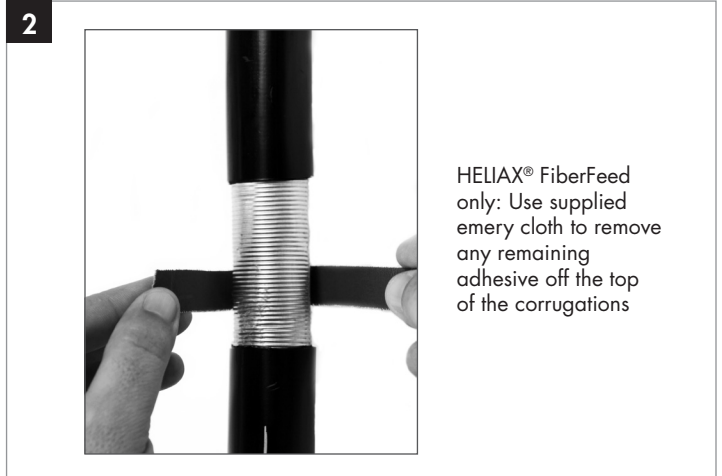
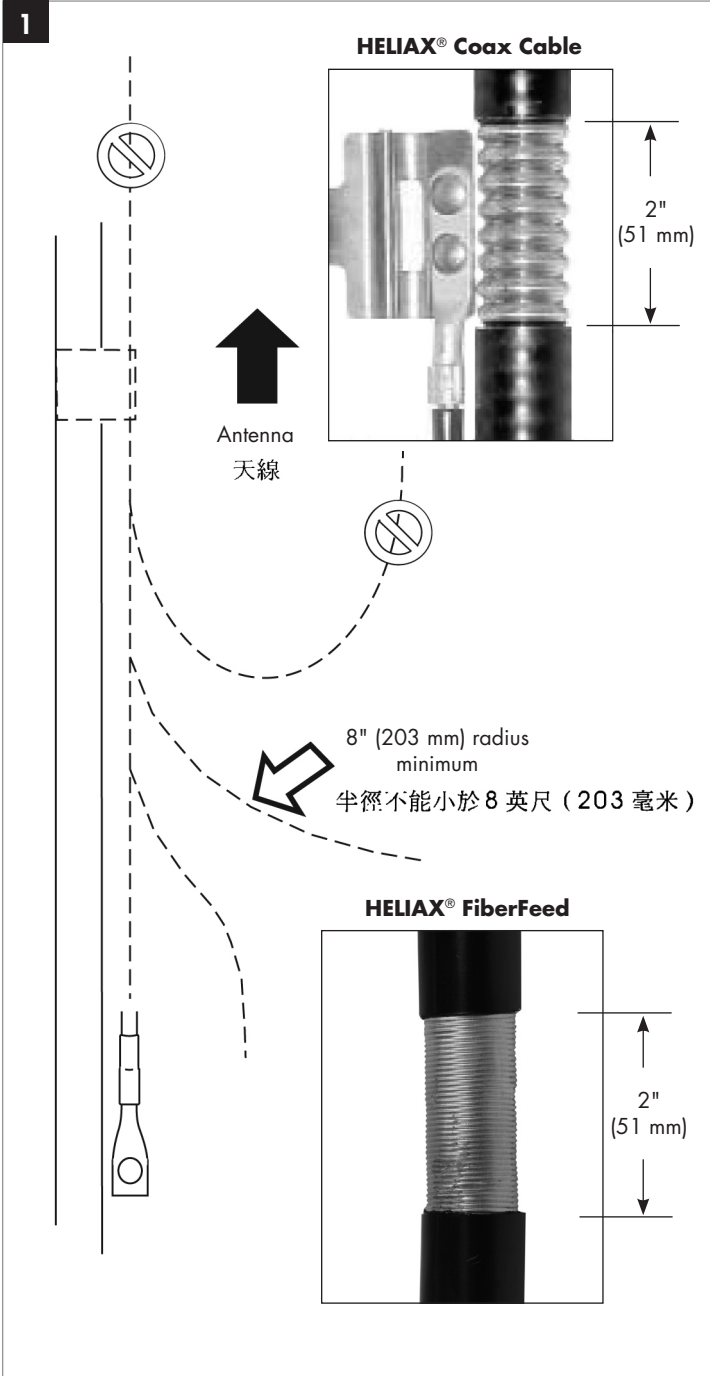
 **WARNING**

Do not attempt grounding kit installation in the presence of thunderstorms. Failure to obey this warning may result in injury or death to you or others.

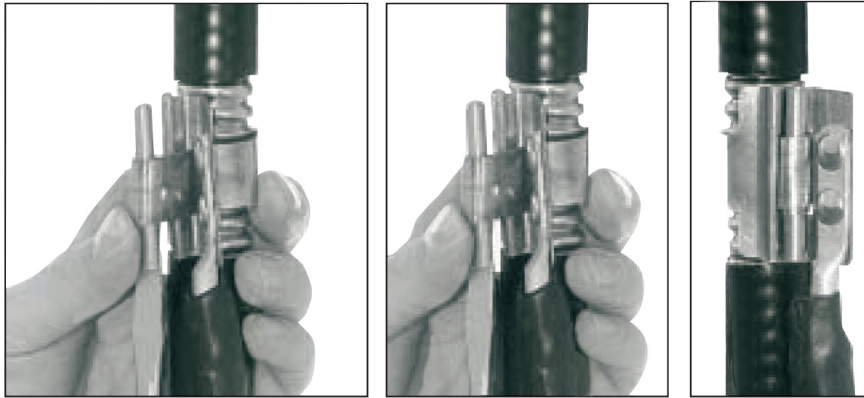
 **警告**

不要試圖在有雷雨時安裝接地元件。
不遵守該警告可能會對你和其他人造成傷害或死亡。

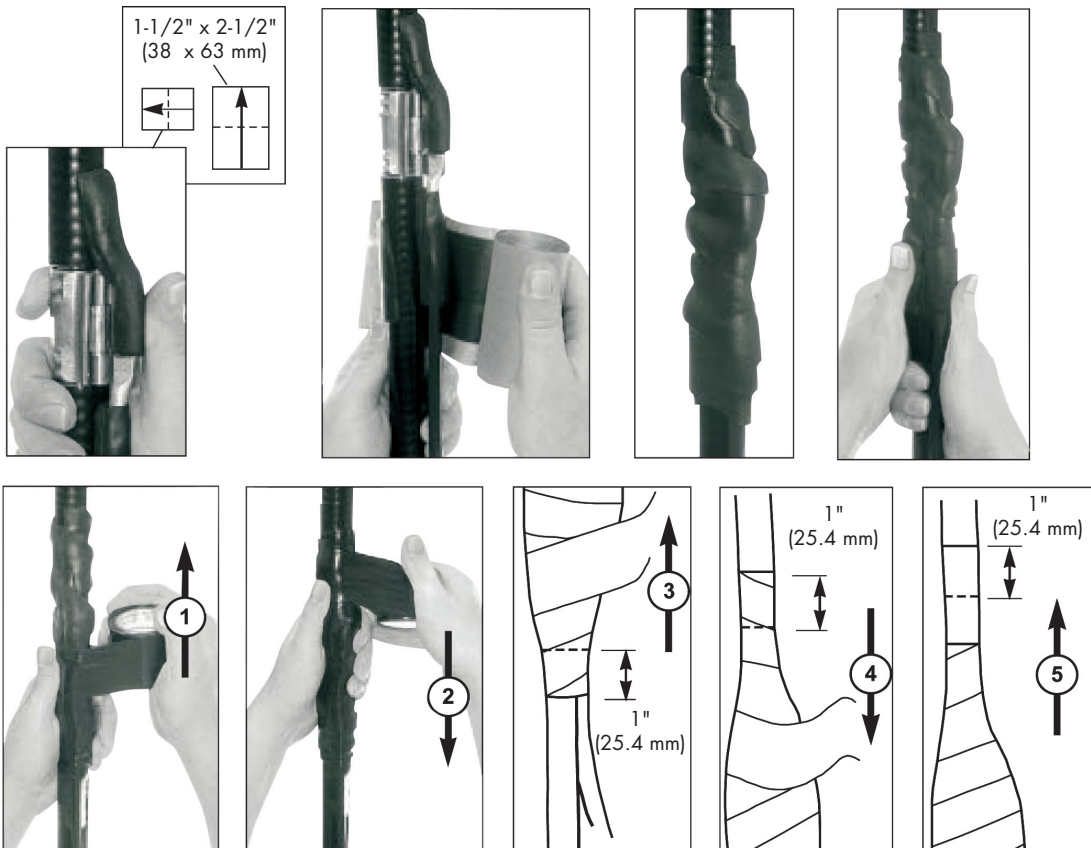




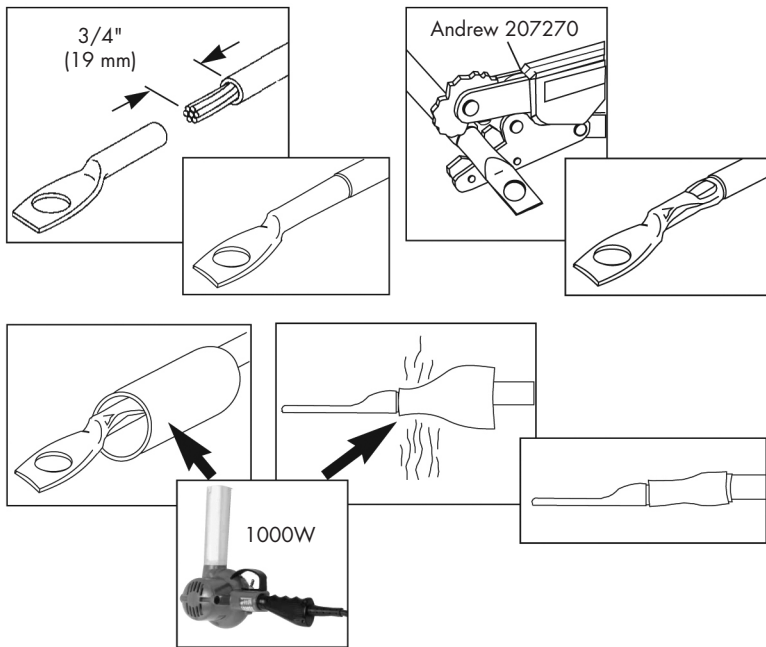
5



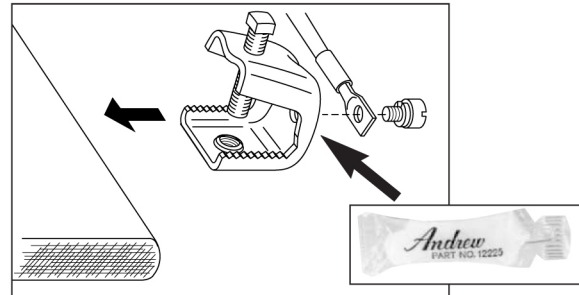
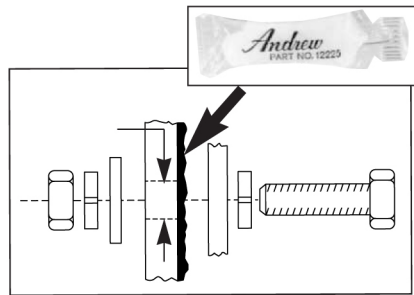
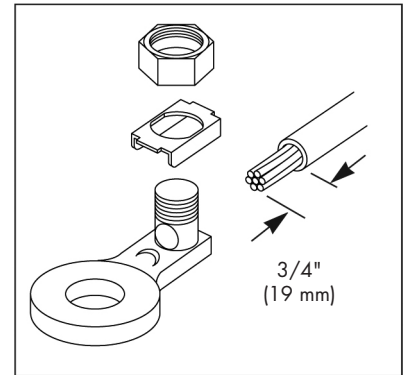
6



7



OR



NOTICE

The installation, maintenance, or removal of antenna systems requires qualified, experienced personnel. Andrew installation instructions are written for such personnel. Antenna systems should be inspected once a year by qualified personnel to verify proper installation, maintenance, and condition of equipment. Andrew disclaims any liability or responsibility for the results of improper or unsafe installation practices.

注意：天線系統的安裝、維護與拆卸，必須由有經驗的合格技術人員進行。Andrew 安裝指示是專為該技術人員所編寫的。天線系統每年必須由合格的技術人員檢查一次，以確保設備的安裝、保養及狀況良好。Andrew 公司申明對於不恰當或不安全的安裝所導致的後果，一概不負任何義務和責任。

ANDREW an Amphenol company
2601 Telecom Parkway, Richardson, Texas, 75082, USA
www.andrew.com

Technical Support
+1 888 297 6433, Option 3 (Toll Free US and Canada)
awpnarsupport@andrew.com

Notice: ANDREW disclaims any liability or responsibility for the results of improper or unsafe installation, inspection, maintenance, or removal practices.
Aviso: ANDREW no acepta ninguna obligación ni responsabilidad como resultado de prácticas incorrectas o peligrosas de instalación, inspección, mantenimiento o retiro.
Avis: ANDREW décline toute responsabilité pour les conséquences de procédures d'installation, d'inspection, d'entretien ou de retrait incorrectes ou dangereuses.
Hinweis: ANDREW lehnt jede Haftung oder Verantwortung für Schäden ab, die aufgrund unsachgemäßer Installation, Überprüfung, Wartung oder Demontage auftreten.
Atenção: A ANDREW abdica do direito de toda responsabilidade pelos resultados de práticas inadequadas e sem segurança de instalação, inspeção, manutenção ou remoção.
Avvertenza: ANDREW declina eventuali responsabilità derivanti dall'esecuzione di procedure di installazione, ispezione, manutenzione e smontaggio improprie o poco sicure.
注意：Andrew 公司申明對於不恰當或不安全的安裝、檢驗、維修或拆卸操作所導致的後果不負任何義務和責任