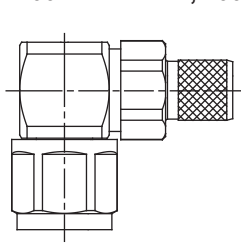


Connector Attachment

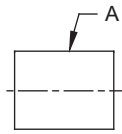
For Braided Cable CNT-400 & CNT-400-FR
N & TNC Male, Right Angle, Captivated Pin, Crimp-type Body

Andrew Institute offers installation training.

Connector: 400BPTR-C-CR, 400BPNR-C-CR



Connector Body



Ferrule

Tools



Safety Knife



File

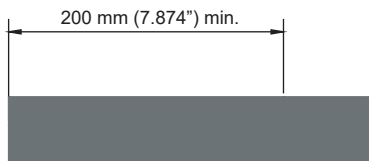


Forcex

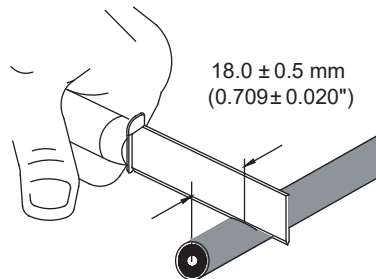


Crimp Tool:
CTBC

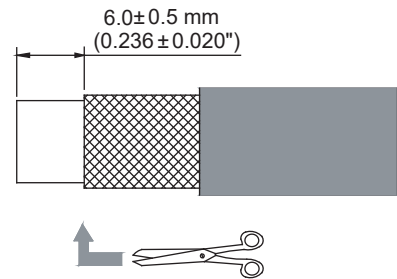
1. Straighten first 200.0 mm (7.874") min. of the cable.



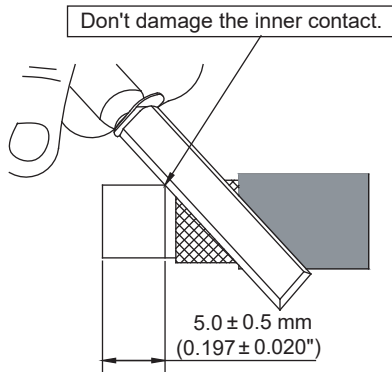
2. Remove 18.0 mm (0.709") of Jacket only.



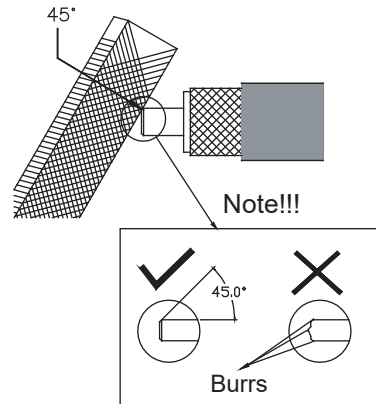
3. Trim 6.0 mm (0.236") of braid, exposing outer conductor.



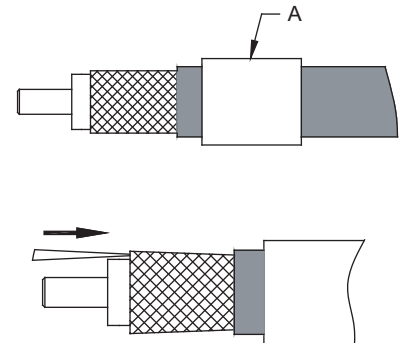
4. Remove 5.0 mm (0.197") of foil & foam, exposing center conductor. Remove all foam/glue residue from the center conductor.



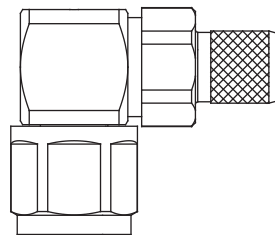
5. Chamfer the center conductor at a 45° angle.



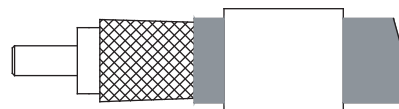
6. Slide part A onto cable, splay out braid as shown.



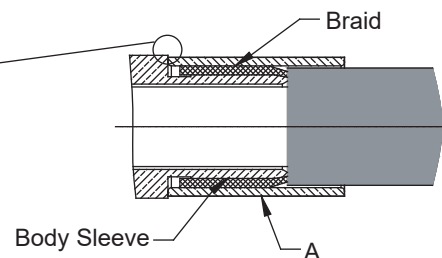
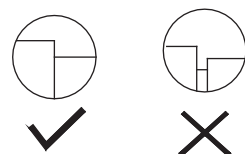
7. The cable attachment must be straight and aligned with the hole of connector inner contact. Push the prepared cable attachment into connector body until stopped, the cable center conductor must be inserted into inner contact fingers. Make sure the braid cover the body sleeve, then push part A onto braid.



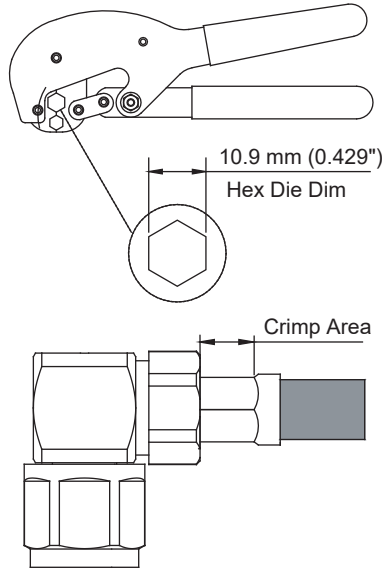
Insert into hole



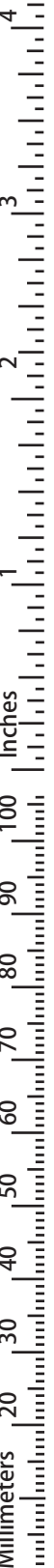
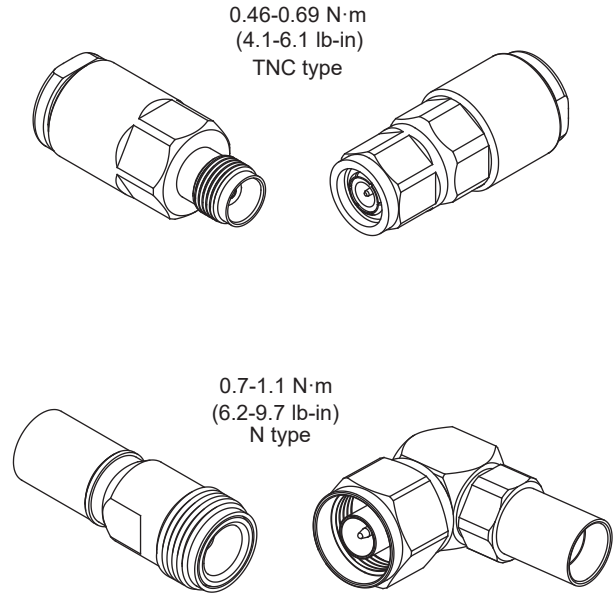
Don't leave gaps, clear all residual braid wires.




8. Crimp the ferrule at the area as shown.
Crimp tool part number is: CTBC



9. Coupling torque.



	表一 有毒有害物质或元素名称及含量标识格式					
	有毒有害物质或元素					
部件名称 (Part Name)	铅 (Pb)	汞 (Hg)	镉 (Cd)	六价铬 (Cr6+)	多溴联苯 (PBB)	多溴二苯醚 (PBDE)
连接器 (Connector)	X	O	O	O	O	O

O: 表示有毒有害物质在该部件所有的均质材料中的含量均在SJ/T 11363-2006规定的限量要求以下。
X: 表示该有毒有害物质至少在该部件的某一均质材料中的含量超出SJ/T 11363-2006规定的限量要求。

ANDREW an Amphenol company
2601 Telecom Parkway, Richardson, Texas, 75082, USA
www.andrew.com

Technical Support
+1 888 297 6433, Option 3 (Toll Free US and Canada)
awpnarsupport@andrew.com

Notice: ANDREW disclaims any liability or responsibility for the results of improper or unsafe installation, inspection, maintenance, or removal practices.
Aviso: ANDREW no acepta ninguna obligación ni responsabilidad como resultado de prácticas incorrectas o peligrosas de instalación, inspección, mantenimiento o retiro.
Avis: ANDREW décline toute responsabilité pour les conséquences de procédures d'installation, d'inspection, d'entretien ou de retrait incorrectes ou dangereuses.
Hinweis: ANDREW lehnt jede Haftung oder Verantwortung für Schäden ab, die aufgrund unsachgemäßer Installation, Überprüfung, Wartung oder Demontage auftreten.
Atenção: A ANDREW abdica do direito de toda responsabilidade pelos resultados de práticas inadequadas e sem segurança de instalação, inspeção, manutenção ou remoção.
Avvertenza: ANDREW declina eventuali responsabilità derivanti dall'esecuzione di procedure di installazione, ispezione, manutenzione e smontaggio improprie o poco sicure.
注意: ANDREW 公司申明對於不恰當或不安全的安裝、檢驗、維修或拆卸操作所導致的后果不負任何義務和責任

©2025 ANDREW, an Amphenol company. All rights reserved. Amphenol and ANDREW are registered trademarks of Amphenol and/or its affiliates in the U.S. and other countries. All product names, trademarks and registered trademarks are property of their respective owners.