

4

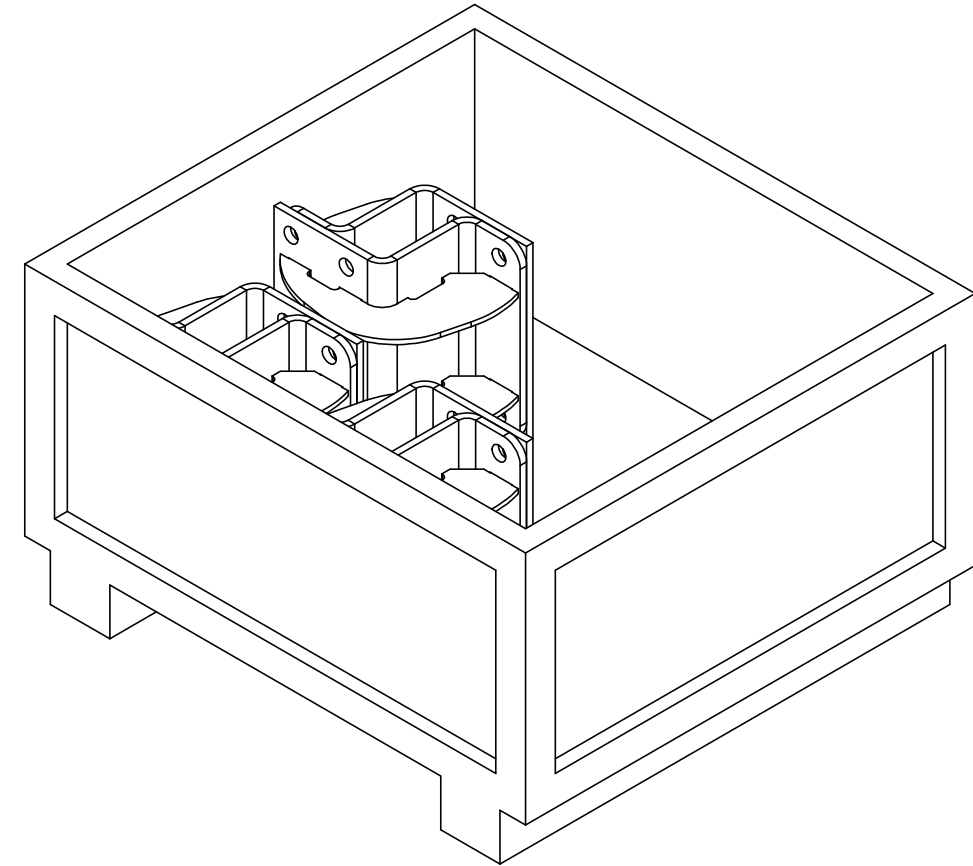
3

2

1

NOTES: 1.0 PUT ALL LOOSE HARDWARE IN POLYBAGS AS NEEDED.  
 2.0 PLACE DRAWING INTO CRATE.

REVISIONS				
REV.	ECN	DESCRIPTION	BY	DATE
A	8000016793	10/16/19	MSM	10/19/16



ITEM	PART NO.	DESCRIPTION	QTY.	WEIGHT	NOTE NO.
1	CR1030	Wood Crate 27 x 24 x 13 ID	1	26.66 LBS	
2	MTC392401	WELDMENT EXTENSION BRACKET	6	17.91 LBS	
3	GB-0622A	3/4" X 2-1/4" GALV BOLT KIT A325	25	0.44 LBS	
4	DOCUMENT RECORD	INSERT DRAWING MTC3924 INTO CRATE	1	--	2

<b>COMMSCOPE, INC. OF NORTH CAROLINA</b>											
TOLERANCES					SAP MATERIAL MASTER						
0 PLACE X ± .25		2 PLACE .XX ± .06			<b>MTC3924</b>						
1 PLACE X ± .12		ANGLES ± 2°									
FINISH					MATERIAL						
<b>GALV A123</b>					<b>A36</b>						
UNLESS OTHERWISE SPECIFIED DIMENSIONS ARE IN MILLIMETERS INTERPRET PER ISO STANDARDS HANDBOOK TECHNICAL DRAWINGS VOLUMES 1 & 2, THIRD EDITION (2002)	CE	NAME	DATE	TITLE							
	RW	MSM	10/19/16	<b>RINGMOUNT EXTENSION KIT</b>							
	RV										
	AD										
	RE	TP	10/19/16	SCALE	DOCUMENT NO.						
ECN	8000016793		<b>1:8</b>	<b>MTC3924</b>							
HEIGHT	LENGTH	WIDTH	SIZE	WORK AREA	MODEL			DRAWING			SHEET
			<b>C</b>		VERSION	STATUS	REVISION	VERSION	STATUS	REVISION	1 OF 2
										<b>A</b>	

4

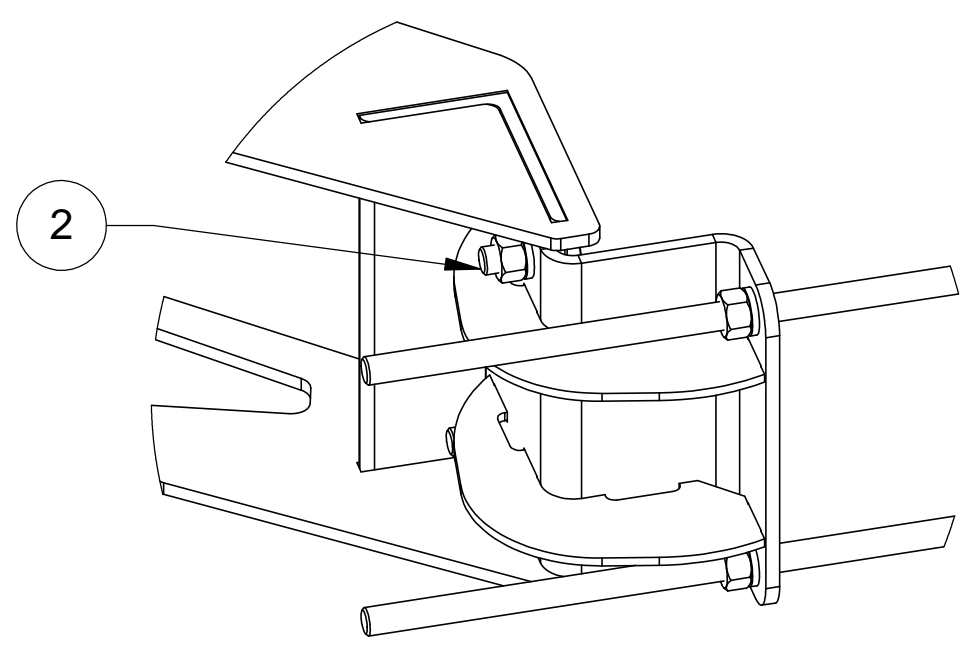
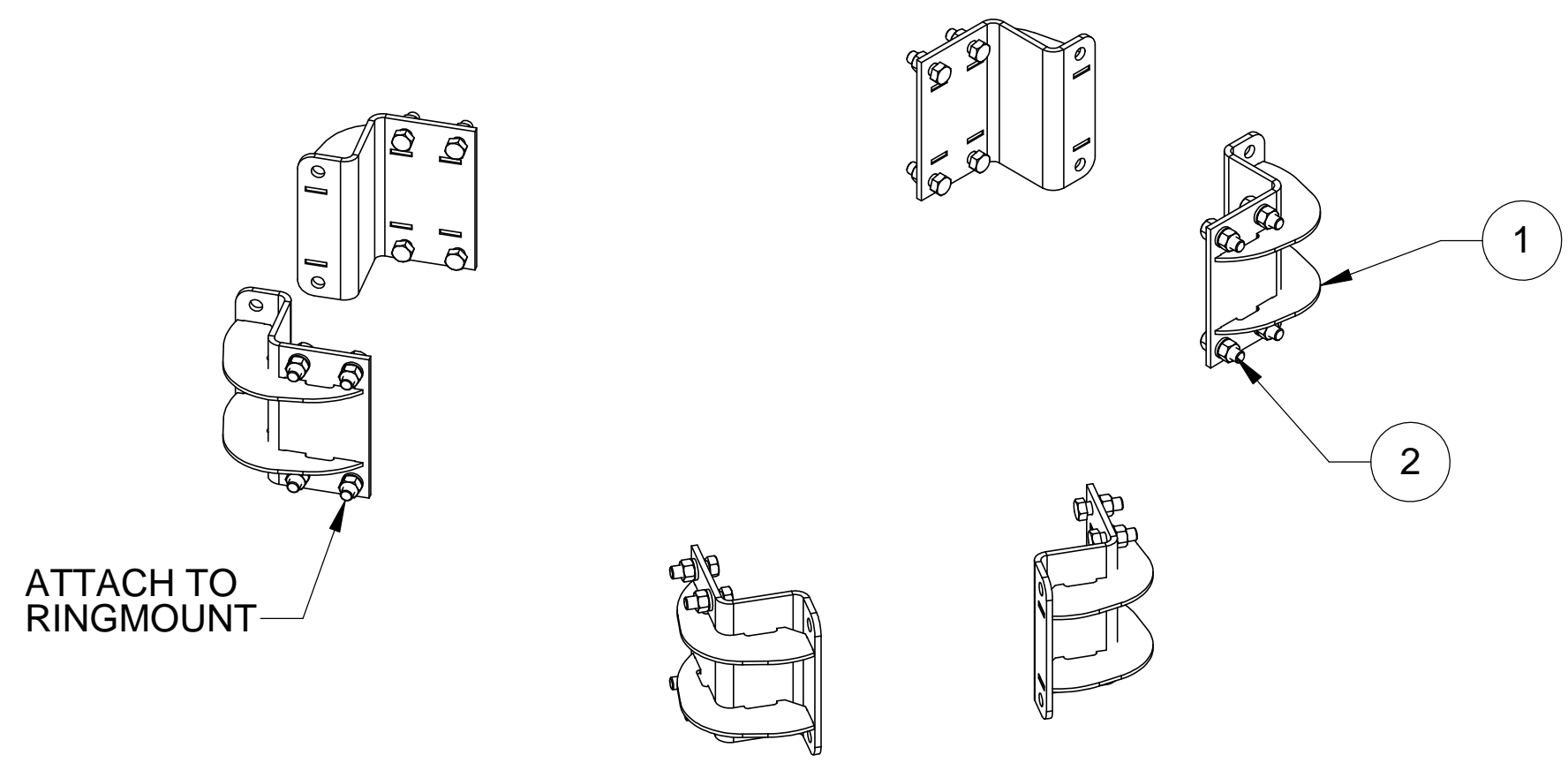
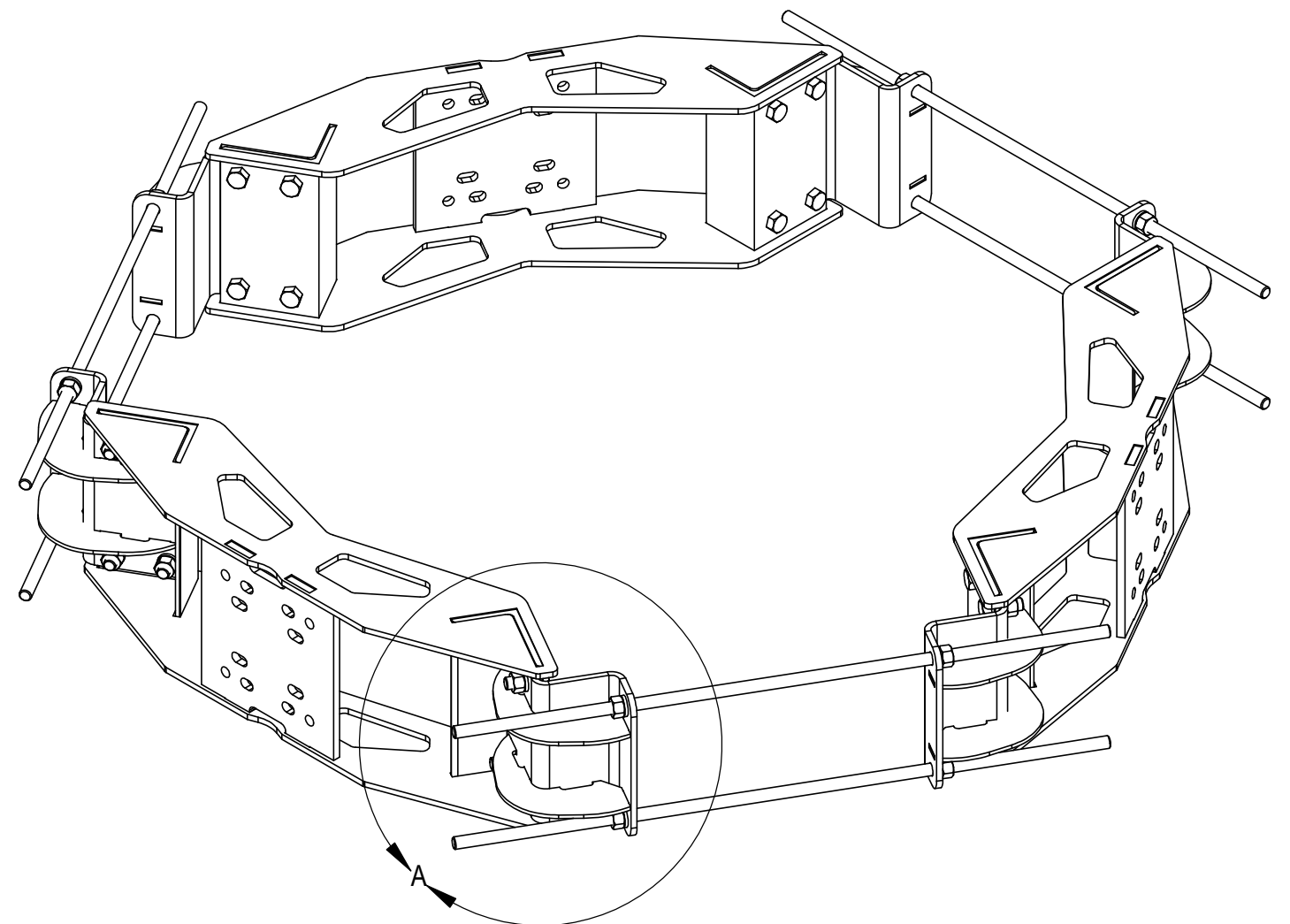
3

2

1

NOTES: 1.0 ALLOWS MC-RM3060-3 TO INCREASE TO 70" OD.

SHOWN WITH MC-RM3060-3



DETAIL A  
SCALE 1:5

ITEM	PART NO.	DESCRIPTION	QTY.	WEIGHT	NOTE NO.
1	MTC392401	WELDMENT EXTENSION BRACKET	6	17.91 LBS	
2	GB-0622A	3/4" X 2-1/4" GALV BOLT KIT A325	24	0.44 LBS	

COMMSCOPE, INC. OF NORTH CAROLINA				
TITLE				
<b>RINGMOUNT EXTENSION KIT</b>				
SIZE	SCALE	DOCUMENT NO.		
<b>C</b>	<b>1:10</b>	<b>MTC3924</b>		
		DRAWING		SHEET
		VERSION	STATUS	REVISION
				<b>A</b>
				2 OF 2

© 2015 CommScope, Inc. Confidential

4

3

2

1