

# SFG22-10-4-126



G22 High Capacity Sector Frame, 10.5 ft face, includes four 126 in pipes;  
For patents, see [www.cs-pat.com](http://www.cs-pat.com).

## **OBSOLETE**

This product was discontinued on: **March 22, 2023**

### **Replaced By:**

SFG22HD-12-4-126      G22HD High Capacity Sector Frame with 2 7/8in OD x 12.5ft face. Includes four 2 3/8in OD x 126in antenna pipes.

## Product Classification

**Product Type**      High capacity Tower sector frame

## General Specifications

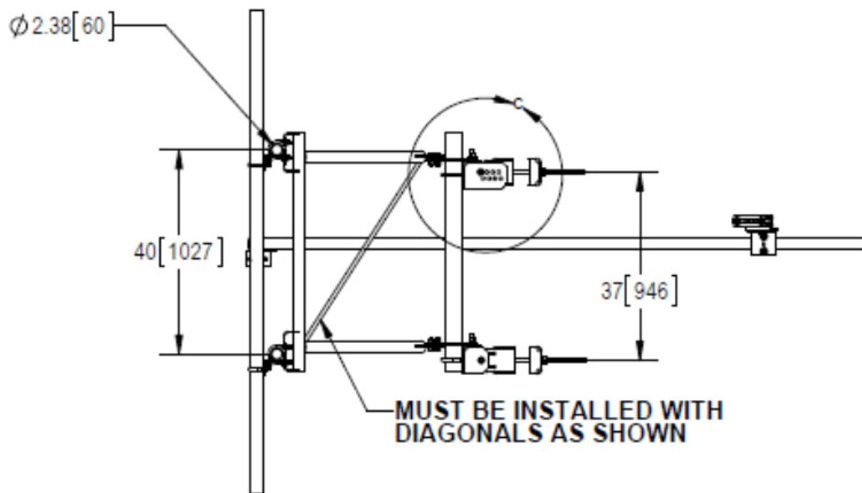
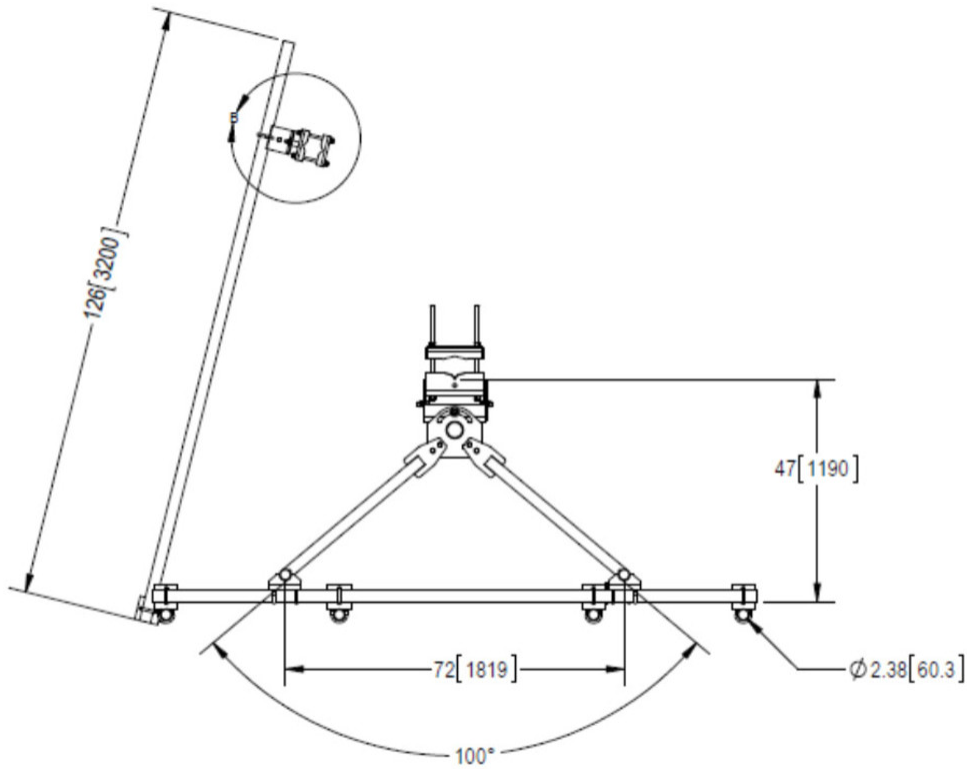
**Application**      4G LTE antenna/radio mount  
**Mounting**      Angle 60°, 203.2 mm (8 in) | Straight or tapered legs up to 203.2 mm (8 in) OD  
**Patent Number**      Patent pending  
**Pipe, quantity**      4  
**Tower Taper**      Non-tapered | Tapered

## Dimensions

**Height**      3,200.4 mm | 126 in  
**Face Width**      3.2 m | 10.5 ft  
**Width**      3,200.4 mm | 126 in  
**Pipe Length**      3,200.4 mm | 126 in  
**Face Support Pipe Diameter**      60.325 mm | 2.375 in  
**Mounting Diameter, maximum**      218.44 mm | 8.6 in  
**Mounting Diameter, minimum**      38.1 mm | 1.5 in  
**Pipe Outer Diameter**      60.325 mm | 2.375 in  
**Stand-off Distance**      1,193.8 mm | 47 in

# SFG22-10-4-126

## Outline Drawing



## Material Specifications

### Material Type

Hot dip galvanized steel

# SFG22-10-4-126

---

## Mechanical Specifications

<b>Load Capacity</b>	With additional stiff arm at 300 ft AGL: 600 lb per pipe w/out ice / 2000 lb per pipe including ice
<b>Wind Rating</b>	For Specifications, please contact your local ANDREW representative
<b>Wind Rating Test Method</b>	TIA/EIA-222-G
<b>Wind Rating with Additional Stiff Arm</b>	300 ft AGL: 120 mph (BWS) without ice /60 mph with ice

## Packaging and Weights

<b>Included</b>	Frame   Pipe mounts   Plain end pipes (4)   Stiff arm   Tower attachment
<b>Packaging quantity</b>	1
<b>Weight, net</b>	240.495 kg   530.2 lb

## Regulatory Compliance/Certifications

<b>Agency</b>	<b>Classification</b>
CHINA-ROHS	Above maximum concentration value
ISO 9001:2015	Designed, manufactured and/or distributed under this quality management system
ROHS	Compliant/Exempted
UK-ROHS	Compliant/Exempted



## \* Footnotes

<b>Wind Rating</b>	BWS—Base Wind Speed; FBC—Florida Building Code
<b>Wind Rating with Additional Stiff Arm</b>	BWS—Base Wind Speed; FBC—Florida Building Code