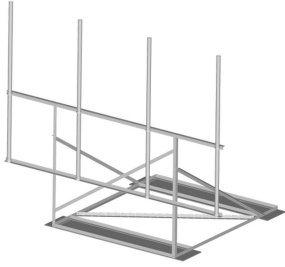


RF-N14-B



Non-Penetrating Roof Frame, 14 ft face, pipe not included

OBSOLETE

This product was discontinued on: December 12, 2022

Replaced By:

RF-NL10-B

Non-Penetrating Roof Frame, 10 ft face, pipe not included

Product Classification

Product Type Non-penetrating roof frame

General Specifications

Mounting Non-penetrating

Note Four 120 in x 8 in panel antennas per sector

Pipe, quantity 0

Dimensions

Height 1905 mm | 75 in

Face Width 4.42 m | 14.5 ft

Width 4,419.6 mm | 174 in

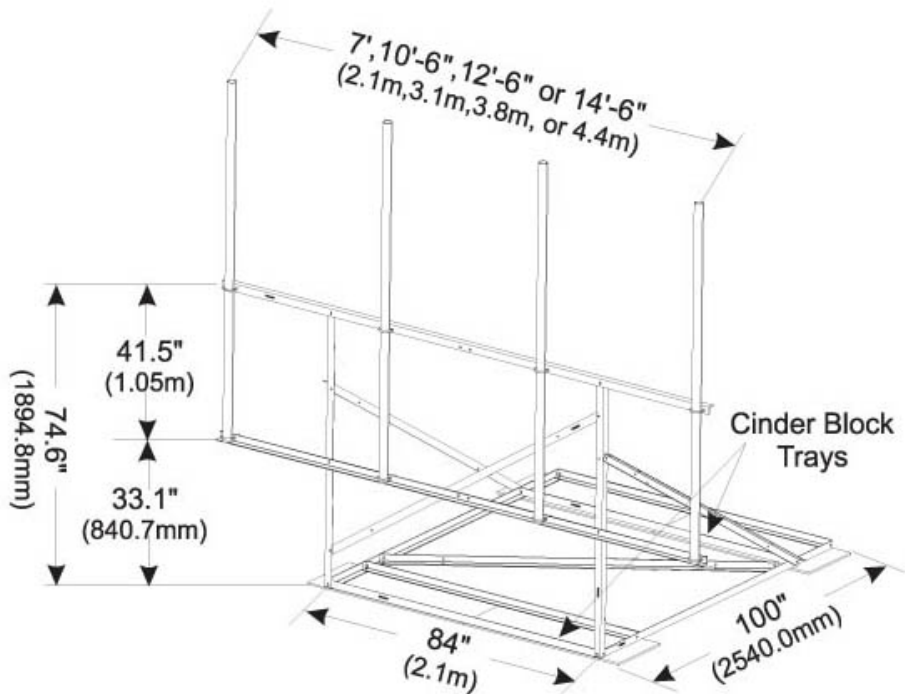
Length 2.53 m | 8.3 ft

Pipe Length 0 mm | 0 in

Pipe Outer Diameter 60.96 mm | 2.4 in

RF-N14-B

Outline Drawing



Material Specifications

Material Type Hot dip galvanized steel

Mechanical Specifications

Wind Rating 85 mph (BWS) at 100 ft AGL using Exposure C per UBC

Wind Rating Test Method TIA/EIA-222

Packaging and Weights

Included Rubber mats, with or without pipe mounts

Packaging quantity 1

Weight, net 169.7 kg | 374.124 lb

Regulatory Compliance/Certifications

| Agency | Classification |
|---------------|--|
| ISO 9001:2015 | Designed, manufactured and/or distributed under this quality management system |



* Footnotes

Wind Rating

BWS—Base Wind Speed; FBC—Florida Building Code