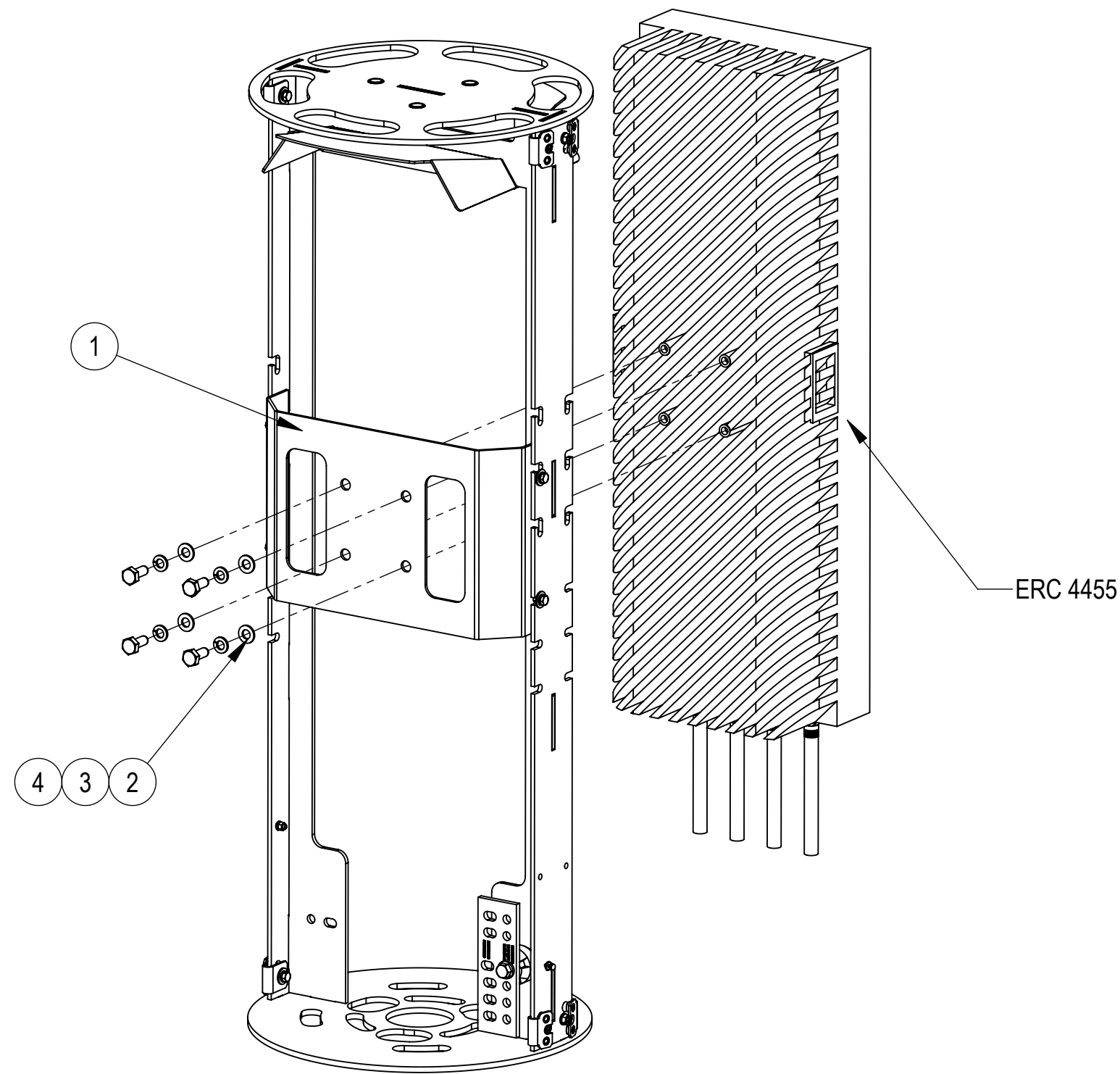
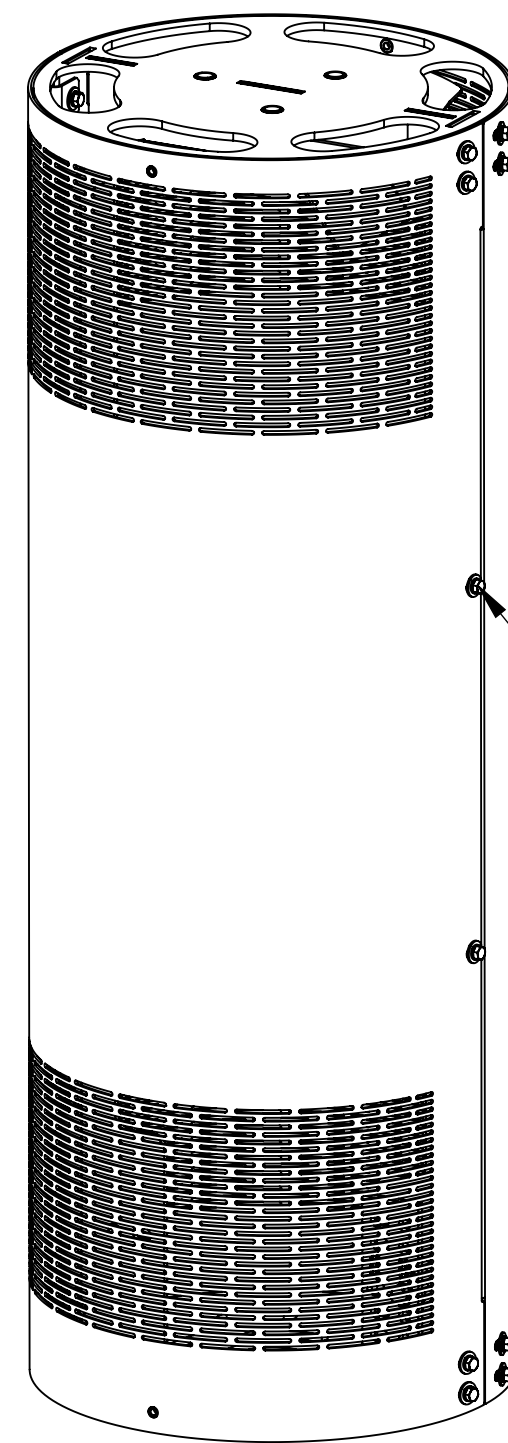


REVISIONS			
REV.	DESCRIPTION	DATE	APPROVED
A	INITIAL RELEASE	YC1059 30MAR23	ZM1026 40168312CMO



STEP 1

INSTALL ERC4455 USING 4 SETS OF M10 SCREWS, LOCK WASHERS AND FLAT WASHERS



STEP 2

INSTALL THE COVERS TO THE POLETOP USING 20 SETS OF M6 SCREWS, LOCK WASHERS AND FLAT WASHERS

COMPONENT PART NUMBERS PROVIDED FOR ASSEMBLY PURPOSES; INDIVIDUAL COMPONENTS MAY BE SHIPPED AS PARTS WITHIN AN INCLUDED KIT.

ITEM NO.	PART NUMBER	DESCRIPTION	QTY.
1	MTM1187-3000-CR	ERC 4455RRU MOUNT BRACKET	1
2	MTC978706	M10 Stainless Steel Flat Washer	4
3	100522-37	WSHR,LK,SPLT, M10,SST, PASS	4
4	MTC9416	M10 X 25mm HEX BOLT SS	4

DENSITY	lbs/in ³
MASS	lbs
VOLUME	in ³
SURFACE AREA	in ²
HEIGHT	
LENGTH	
WIDTH	

COMMSCOPE, INC. OF NORTH CAROLINA									
TOLERANCES					SAP MATERIAL MASTER				
1 PLACE .X[X] ± N/A			3 PLACE .XXX[X] ± N/A		SSC-760255777E10X				
2 PLACE .XX[X] ± N/A			ANGLES ± N/A						
FINISH NONE					MATERIAL NONE				
UNLESS OTHERWISE SPECIFIED DIMENSIONS ARE IN INCHES INTERPRET PER ANSI Y 14.5M-1994	CE	NAME	DATE	760255777E10-INSTALL					
	RW	YC1059	06/21/2023						
	AD	ZM1026	06/24/2023						
	RE	DM1121	06/25/2023						
	ECN	40168312CMO							
SCALE		DOCUMENT NO.							
2:1		760255777E10-INSTALL							
SIZE	Auth Group	INSL	MODEL			DRAWING			
C			VERSION	STATUS	REVISION	VERSION	STATUS	REVISION	SHEET
			00	RE	A	00	RE	A	1 OF 1