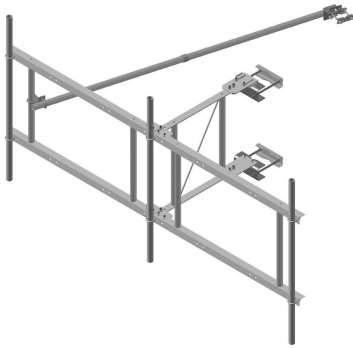


QT-SF10-B



Quik-Tee® Sector Frame, 10 ft face

OBSOLETE

This product was discontinued on: July 31, 2015

Replaced By:

SF-SU10-B

Stand-Off Sector Frame, 10 ft face, pipe ordered separately

Product Classification

Product Type Tower T-Frame Kit

General Specifications

Mounting Angle 60°, 203.2 mm (8 in) | Angle 90°, 152.4 mm (6 in) | Straight or tapered legs up to 203.2 mm (8 in) OD

Note Four 72 in x 8 in panel antennas per sector

Pipe, quantity 0

Tower Taper Non-tapered | Tapered

Dimensions

Height 1016 mm | 40 in

Face Width 3.2 m | 10.5 ft

Width 3,200.4 mm | 126 in

Length 1,219.2 mm | 48 in

Mounting Diameter, maximum 203.2 mm | 8 in

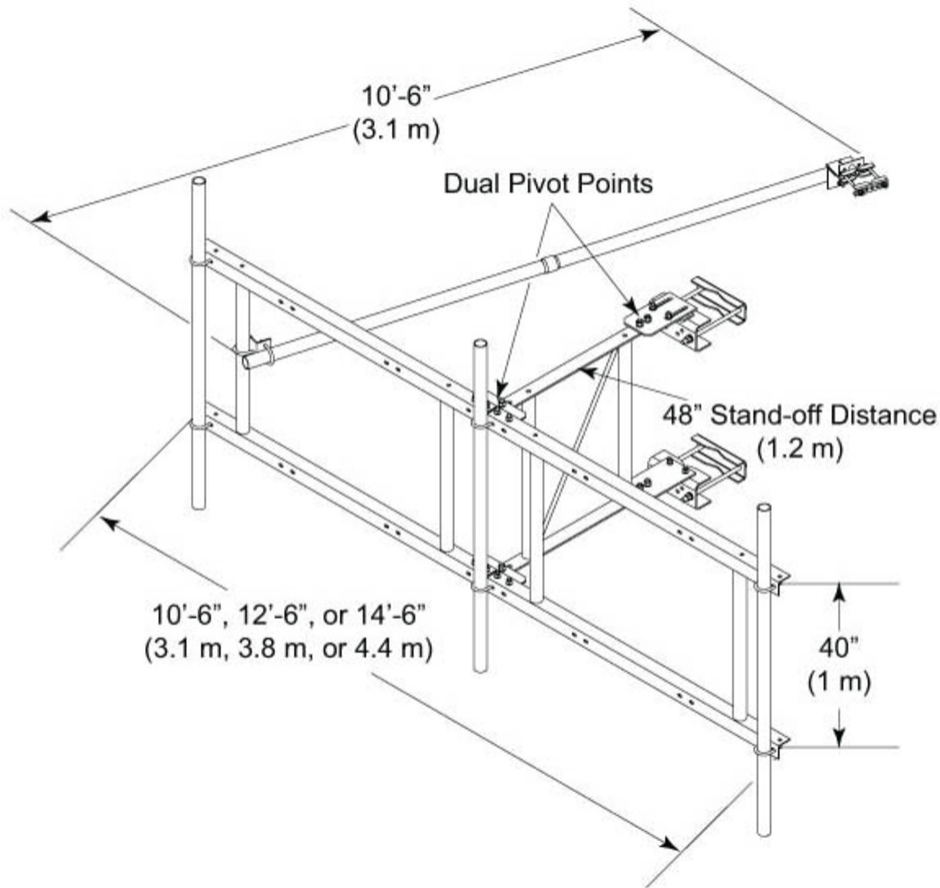
Mounting Diameter, minimum 0 mm | 0 in

Pipe Outer Diameter 60.96 mm | 2.4 in

Stand-off Distance 1,219.2 mm | 48 in

QT-SF10-B

Outline Drawing



Material Specifications

Material Type Hot dip galvanized steel

Mechanical Specifications

Wind Rating 90 mph (BWS) at 150 ft AGL

Wind Rating Test Method TIA/EIA-222

Wind Rating with Additional Stiff Arm 120 mph (BWS) at 150 ft AGL | 140 mph (3-second gust) at 150 ft AGL using Exposure D per FBC

Environmental Specifications

EPA with 1/2 in (12 mm) radial ice 1.626 m² | 17.5 ft²

QT-SF10-B

EPA without ice 1.263 m² | 13.6 ft²

Packaging and Weights

Included Clamps | Frame | Saddle mounts | Stiff arm

Packaging quantity 1

Weight, net 159.211 kg | 351 lb

Regulatory Compliance/Certifications

Agency	Classification
CHINA-ROHS	Above maximum concentration value
ISO 9001:2015	Designed, manufactured and/or distributed under this quality management system
REACH-SVHC	Compliant as per SVHC revision on www.commscope.com/ProductCompliance
ROHS	Compliant/Exempted
UK-ROHS	Compliant/Exempted



Included Products

SM-U2080 – Universal Saddle Mount for straight or tapered legs up to 8 in OD, 8 in angle 60°, or 6 in angle 90°

* Footnotes

Wind Rating BWS—Base Wind Speed; FBC—Florida Building Code

Wind Rating with Additional Stiff Arm BWS—Base Wind Speed; FBC—Florida Building Code

EPA with 1/2 in (12 mm) radial ice EPA—Effective Projected Area

EPA without ice EPA—Effective Projected Area