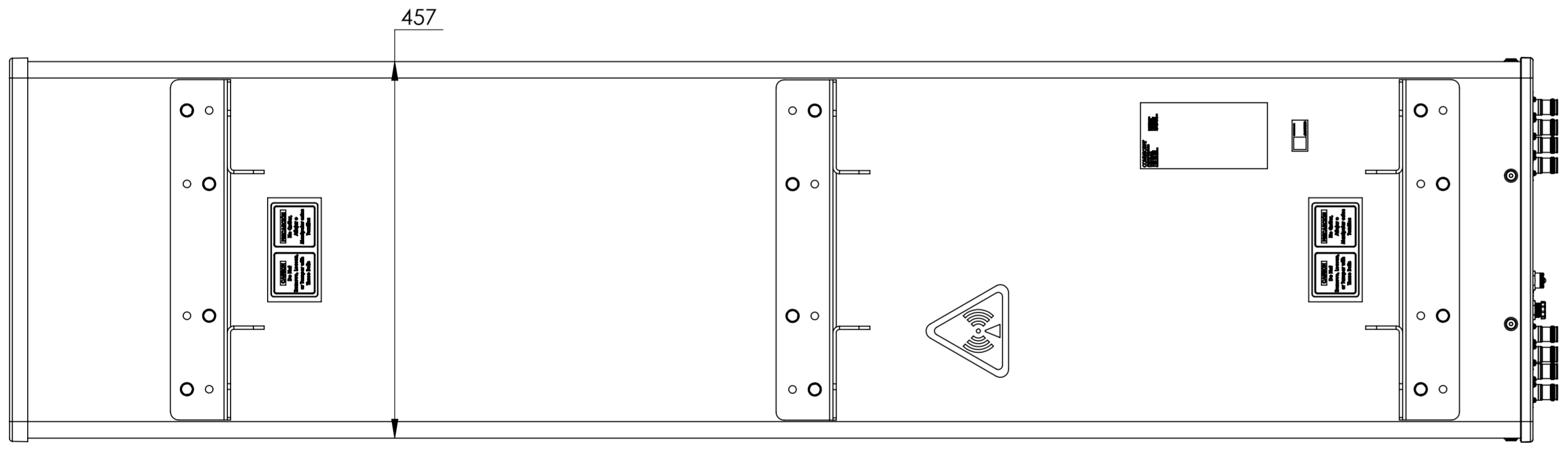
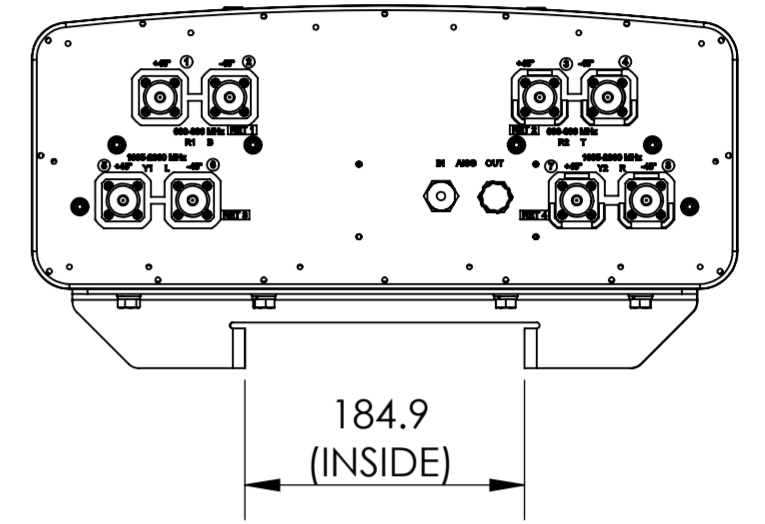
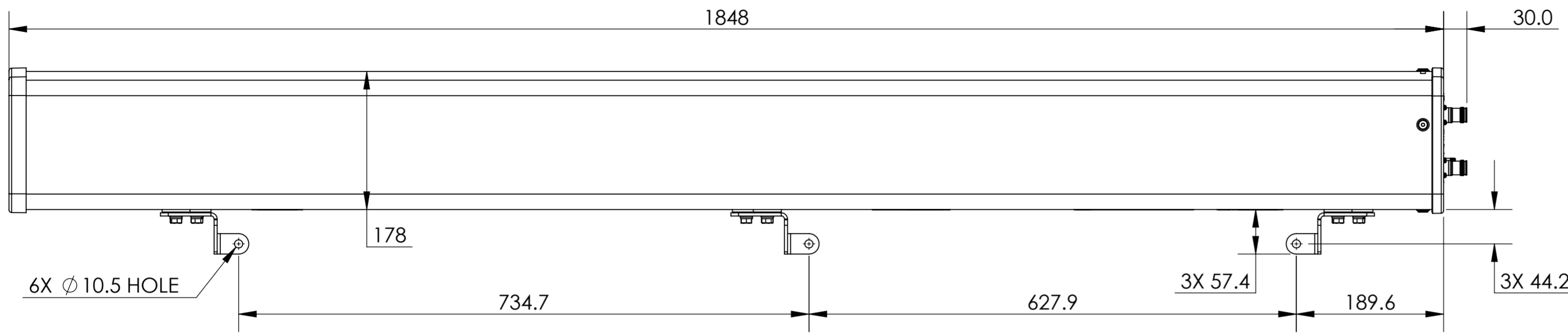


REVISIONS			
REV.	DESCRIPTION	DATE	APPROVED
A	ECR XXXXXXXXCMO: RELEASE TO PRODUCTION PER EAO 612480.	02JUN23 RL	MG/AR



NNHH-45B-R4-V1

COMMSCOPE, INC. OF NORTH CAROLINA

TOLERANCES		SAP MATERIAL MASTER	
0 PLACE	X ±	2 PLACE	.XX ±
1 PLACE	.X ±	ANGLES	±
FINISH		MATERIAL	
<small>UNLESS OTHERWISE SPECIFIED DIMENSIONS ARE IN MILLIMETERS INTERPRET PER ISO STANDARDS HANDBOOK TECHNICAL DRAWINGS VOLUMES 1 & 2, THIRD EDITION (2002)</small>		NAME	DATE
		CE RL1090	06/02/2023
		RW	
		AD	
		RE	
ECN		PRODUCT DRAWING SCALE: 1:5 DOCUMENT NO. NNHH-45B-R4-V1-L	
SIZE	WORK AREA 23		
HEIGHT		MODEL	
LENGTH		VERSION	STATUS
WIDTH		00	RE
		REVISION	VERSION
		A	00
		DRAWING	STATUS
		REVISION	REVISION
		A	A
			SHEET
			1 OF 1