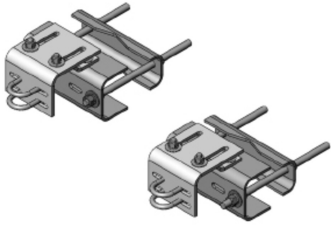


# PM-SU2-B

---



Universal Sliding Pipe Mount Base Kit for 2-3/8 in OD pipe

## Product Classification

**Product Type** Pipe mount

## General Specifications

**Mounting** Angle 60°, 203.2 mm (8 in) | Angle 90°, 152.4 mm (6 in) | Straight or tapered legs up to 203.2 mm (8 in) OD

**Note** One 96 in x 8 in panel antenna per sector

**Pipe, quantity** 0

**Tower Taper** Tapered

## Dimensions

**Height** 127 mm | 5 in

**Width** 304.8 mm | 12 in

**Length** 304.8 mm | 12 in

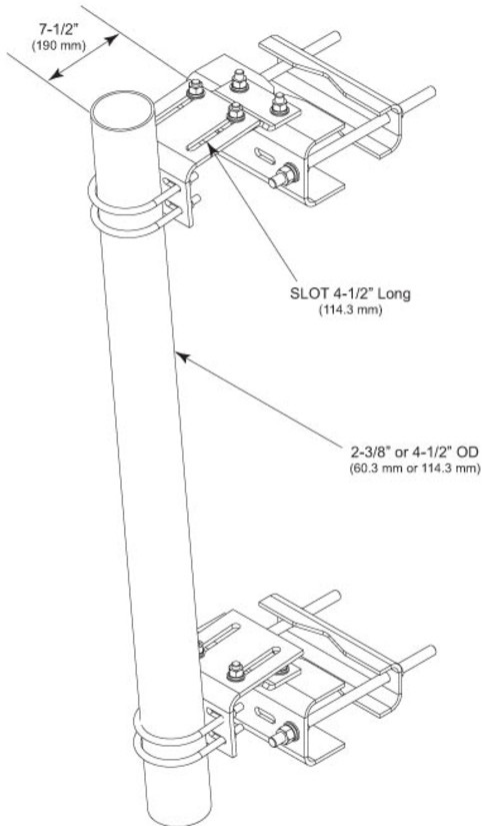
**Mounting Diameter, maximum** 203.2 mm | 8 in

**Mounting Diameter, minimum** 0 mm | 0 in

**Pipe Outer Diameter** 60.96 mm | 2.4 in

# PM-SU2-B

## Outline Drawing



## Material Specifications

**Material Type** Hot dip galvanized steel

## Mechanical Specifications

**Wind Rating** 120 mph (BWS) at 150 ft AGL

**Wind Rating Test Method** TIA/EIA-222

## Packaging and Weights

**Included** Sliding pipe mount brackets | Universal saddle mount

**Packaging quantity** 2

# PM-SU2-B

---

**Weight, net** 36.3 kg | 80.028 lb

## Regulatory Compliance/Certifications

### Agency

ISO 9001:2015



### Classification

Designed, manufactured and/or distributed under this quality management system

## Included Products

- |          |   |  |
|----------|---|--|
| PM-SL2   | - | Universal Taper Pipe Mount Slider Bracket for 2-3/8 in OD pipe                                       |
| SM-U2080 | - | Universal Saddle Mount for straight or tapered legs up to 8 in OD, 8 in angle 60°, or 6 in angle 90° |

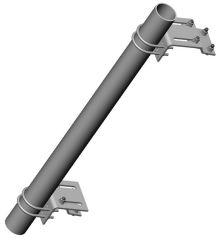
## \* Footnotes

### Wind Rating

BWS—Base Wind Speed; FBC—Florida Building Code

# PM-SL2

---



Universal Taper Pipe Mount Slider Bracket for 2-3/8 in OD pipe

## Product Classification

**Product Type** Pipe mount

## General Specifications

**Mounting** Saddle mounts

**Note** One 96 in x 8 in panel antenna per pipe mount

**Pipe, quantity** 0

**Tower Taper** Tapered

## Dimensions

**Height** 127 mm | 5 in

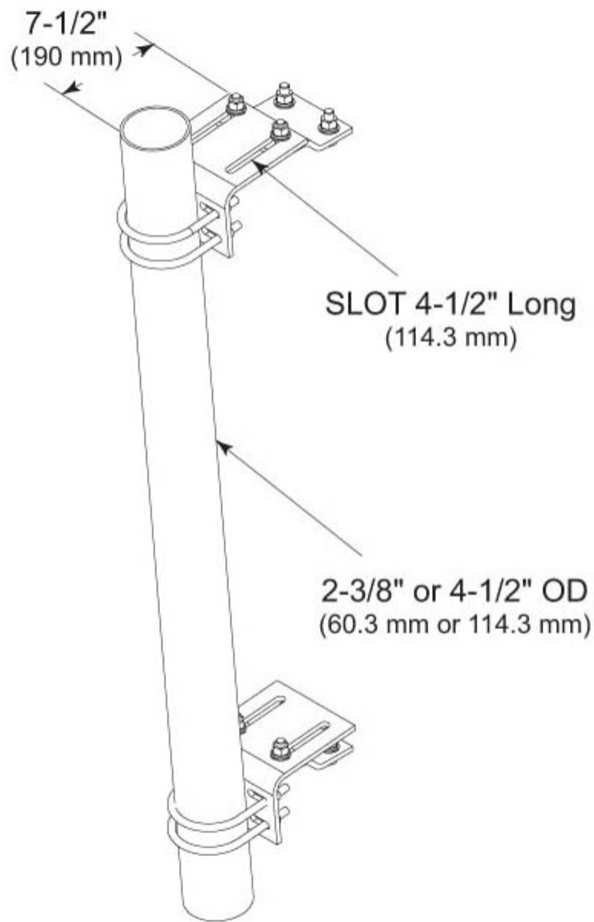
**Width** 152.4 mm | 6 in

**Length** 304.8 mm | 12 in

**Pipe Outer Diameter** 60.96 mm | 2.4 in

# PM-SL2

## Outline Drawing



## Material Specifications

**Material Type** Hot dip galvanized steel

## Mechanical Specifications

**Wind Rating** 120 mph (BWS) at 150 ft AGL

**Wind Rating Test Method** TIA/EIA-222

## Packaging and Weights

**Included** Hardware | Sliding pipe mount brackets

**Packaging quantity** 2

# PM-SL2

---

**Weight, net**

13.6 kg | 29.983 lb

## Regulatory Compliance/Certifications

**Agency****Classification**

ISO 9001:2015

Designed, manufactured and/or distributed under this quality management system

REACH-SVHC

Compliant as per SVHC revision on [www.commscope.com/ProductCompliance](http://www.commscope.com/ProductCompliance)

ROHS

Compliant

UK-ROHS

Compliant

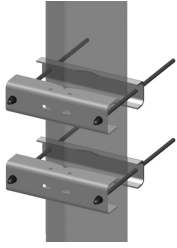


## \* Footnotes

**Wind Rating**

BWS—Base Wind Speed; FBC—Florida Building Code

# SM-U2080



Universal Saddle Mount for straight or tapered legs up to 8 in OD, 8 in angle 60°, or 6 in angle 90°

## Product Classification

**Product Type** Saddle mount

## General Specifications

**Mounting** Angle 60°, 203.2 mm (8 in) | Angle 90°, 152.4 mm (6 in) | Straight or tapered legs up to 203.2 mm (8 in) OD

**Tower Taper** Non-tapered

## Dimensions

**Height** 152.4 mm | 6 in

**Width** 279.4 mm | 11 in

**Length** 254 mm | 10 in

**Mounting Diameter, maximum** 203.2 mm | 8 in

**Mounting Diameter, minimum** 0 mm | 0 in

## Material Specifications

**Material Type** Hot dip galvanized steel

## Packaging and Weights

**Included** Mount

**Packaging quantity** 2

**Weight, net** 22.7 kg | 50.045 lb

## Regulatory Compliance/Certifications

Agency	Classification
CHINA-ROHS	Below maximum concentration value
ISO 9001:2015	Designed, manufactured and/or distributed under this quality management system
REACH-SVHC	Compliant as per SVHC revision on <a href="http://www.commscope.com/ProductCompliance">www.commscope.com/ProductCompliance</a>
ROHS	Compliant

# SM-U2080

---

UK-ROHS

Compliant

