

# PM-412-63

---



Adjustable Pipe Mount, 4-1/2 in OD x 63 in

## Product Classification

**Product Type** Pipe mount

## General Specifications

**Mounting** Saddle mounts

**Note** One 96 in x 8 in panel antenna per pipe mount

**Pipe, quantity** 1

**Tower Taper** Non-tapered

## Dimensions

**Height** 1,600.2 mm | 63 in

**Width** 152.4 mm | 6 in

**Length** 152.4 mm | 6 in

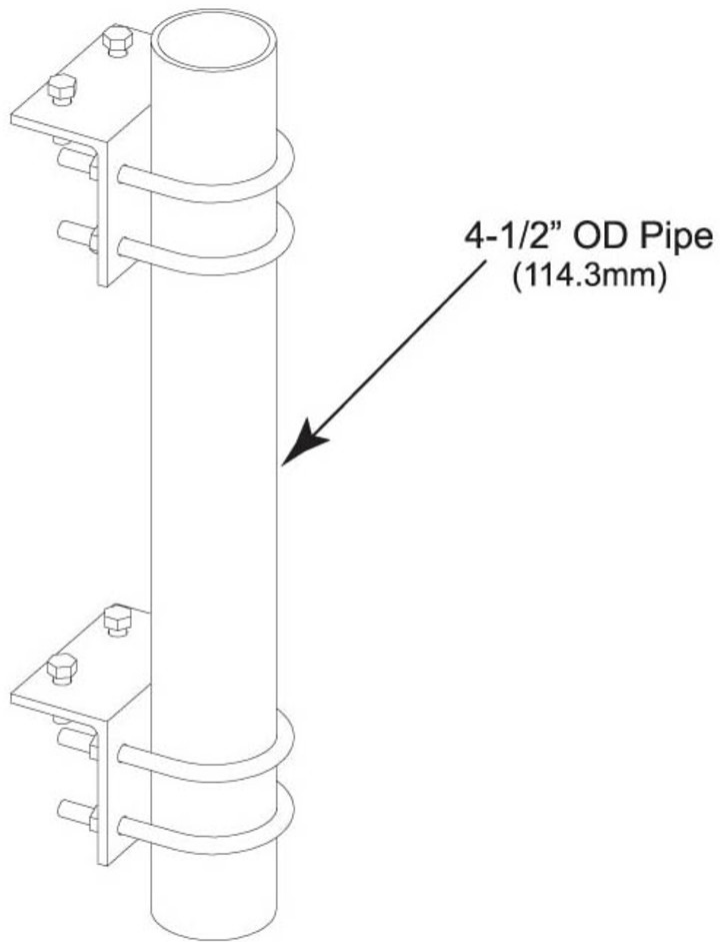
**Pipe Length** 1,600.2 mm | 63 in

**Pipe Outer Diameter** 114.3 mm | 4.5 in

# PM-412-63

---

## Outline Drawing



## Material Specifications

**Material Type** Hot dip galvanized steel

## Mechanical Specifications

**Wind Rating** 120 mph (BWS) at 150 ft AGL

**Wind Rating Test Method** TIA/EIA-222

## Packaging and Weights

**Included** Brackets | Hardware | Pipe

**Packaging quantity** 1

# PM-412-63

---

**Weight, net**

25.9 kg | 57.1 lb

## Regulatory Compliance/Certifications

**Agency****Classification**

ISO 9001:2015

Designed, manufactured and/or distributed under this quality management system

## Included Products

MT-653-63 – Plain End Pipe, 4-1/2 in OD x 63 in x .237" A500C  
46Ksi

## \* Footnotes

**Wind Rating**

BWS—Base Wind Speed; FBC—Florida Building Code

# MT-653-63

---



Plain End Pipe, 4-1/2 in OD x 63 in x .237" A500C 46Ksi

## Product Classification

**Product Type** Plain end pipe

## General Specifications

**Pipe, quantity** 1

## Dimensions

**Height** 114.3 mm | 4.5 in  
**Width** 114.3 mm | 4.5 in  
**Length** 1,600.2 mm | 63 in  
**Pipe Length** 1,600.2 mm | 63 in  
**Pipe Outer Diameter** 114.3 mm | 4.5 in  
**Material Thickness** 6.02 mm | 0.237 in

## Material Specifications

**Material Type** A500 | Hot dip galvanized steel  
**Material Grade** C  
**Material Strength** 46 KSI

## Packaging and Weights

**Included** Pipe  
**Packaging quantity** 1  
**Weight, net** 25.9 kg | 57.1 lb

## Regulatory Compliance/Certifications

Agency	Classification
ISO 9001:2015	Designed, manufactured and/or distributed under this quality management system