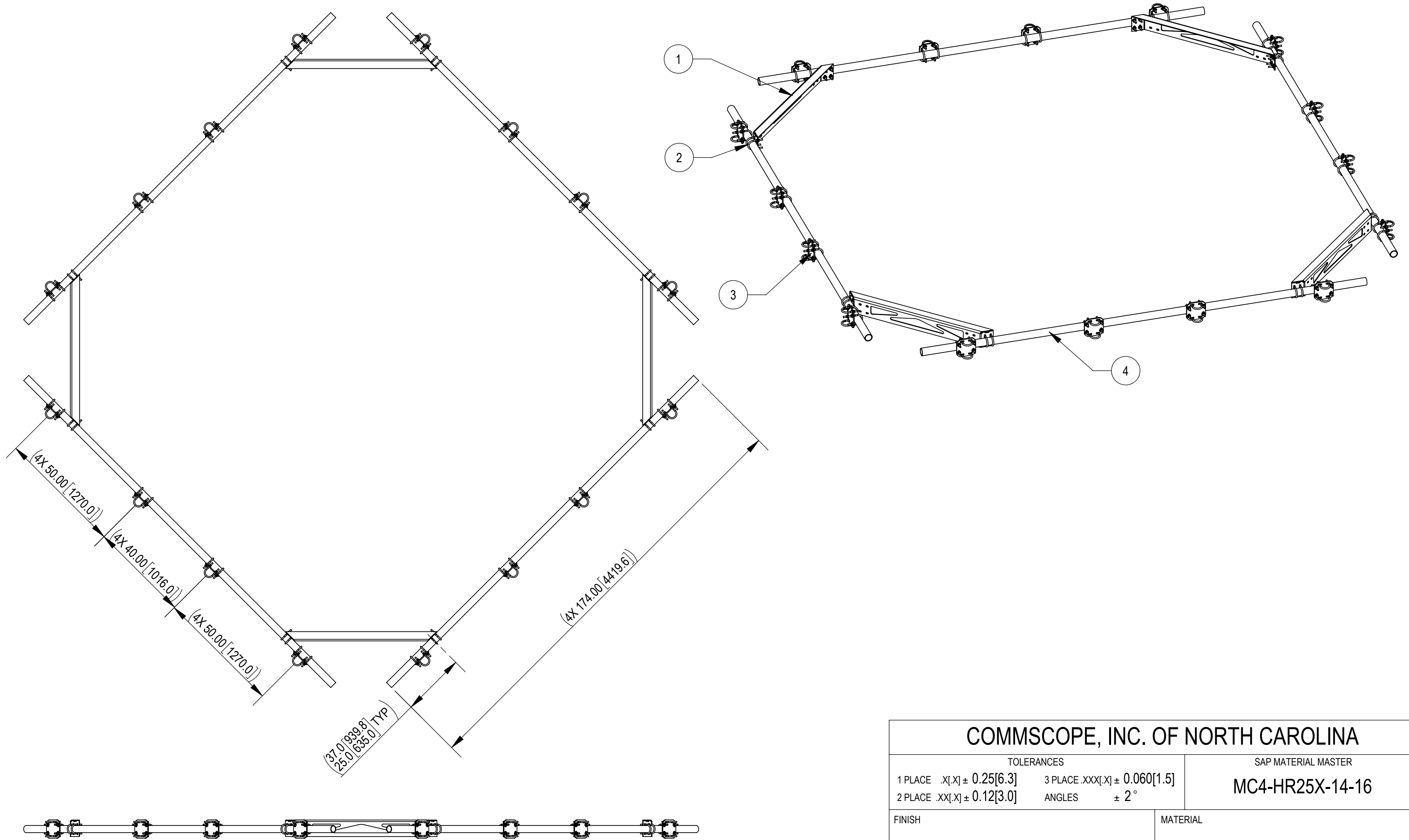


- 1.0 GENERAL NOTES
 - 1.1 ALL METRIC DIMENSIONS ARE IN BRACKETS [X.X]
 - 1.2 FOR PATENT INFO: <https://www.cs-pat.com>
- 2.0 DESIGN NOTES
 - 2.1 KIT WILL WORK WITH 14 FOOT MC-PM4 PLATFORM KITS AND MONOPOLE SIZES FROM 15" OD TO 45" OD.
- 3.0 MANUFACTURING/SPECIAL REQUIREMENTS
 - 3.1 TIGHTEN ALL BOLTS SECURING FLAT PLATES BY THE TURN-OF-NUT METHOD. TIGHTEN ALL U-BOLTS USING TURN-OF-NUT METHOD WITH ATTENTION TO LEAVE EQUAL DISTANCE AND EQUAL FORCE ON EACH LEG OF THE U-BOLT.
- 4.0 TEST
- 5.0 PACKAGING
 - 5.1 PACKAGING SHALL MEET COMMSCOPE REQUIREMENTS PER DOCUMENT IS-PL-3005
 - 5.2 PRINTED DOCUMENT TO BE PLACED INSIDE POLYBAG AND THEN IN SHIPPING CONTAINER
 - 5.3 EXTRA HARDWARE MAYBE SUPPLIED, BAGGED AND SHIPPED

REVISIONS			
REV.	DESCRIPTION	DATE	APPROVED
A	INITIAL RELEASE	YMENG 21OCT21	BA1025 15811
B	UPDATED VIEW ON SHEET 2 TO MATCH PLATFORM CHANGED	YMENG 08OCT22	BA1025 40156827CMO



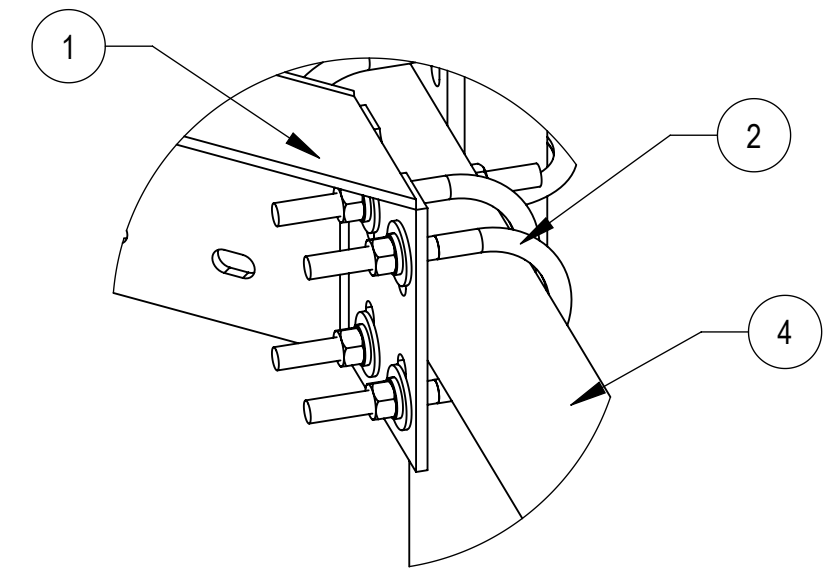
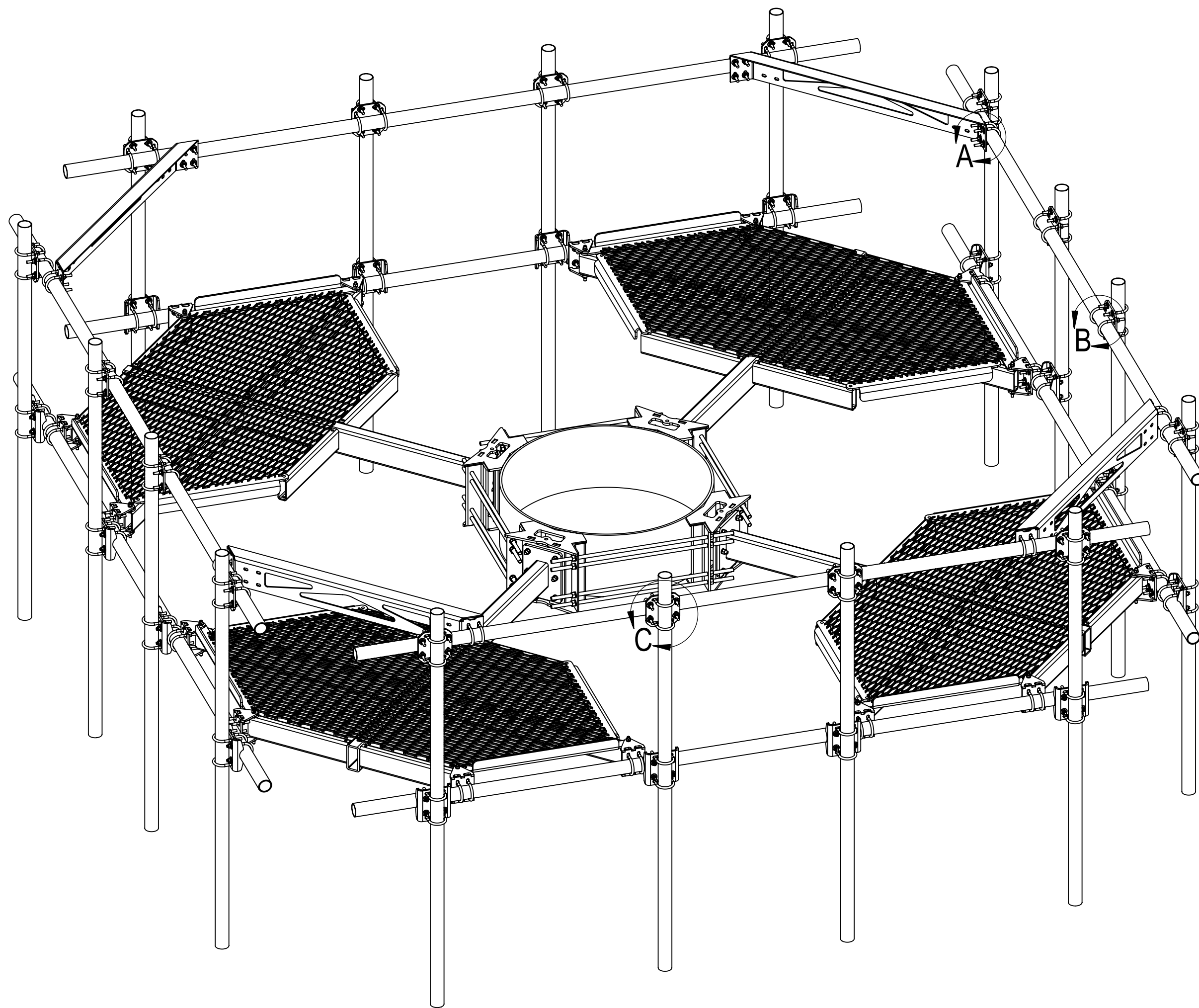
COMMSCOPE, INC. OF NORTH CAROLINA

TOLERANCES		SAP MATERIAL MASTER						
1 PLACE .X[X] ± 0.25[6.3]	3 PLACE .XXX[X] ± 0.060[1.5]	MC4-HR25X-14-16						
2 PLACE .XX[X] ± 0.12[3.0]	ANGLES ± 2°							
FINISH		MATERIAL						
UNLESS OTHERWISE SPECIFIED DIMENSIONS ARE IN INCHES INTERPRET PER ANSI Y 14.5M-1994		NAME	DATE	HR4, MONO PLATF, 2-7/8X14,16, 2-7/8 HRW				
		CE YMENG	10/21/2021					
		RW YMENG	10/08/2022					
		AD BA1025	10/12/2022					
		RE YMENG	01/11/2023	SCALE	DOCUMENT NO.			
ECN 40156827CMO		1:48	MC4-HR25X-14-16					
SIZE	Auth Group	INSL	MODEL	DRAWING		SHEET 1 OF 2		
C			VERSION	STATUS	REVISION		VERSION	STATUS
			01	RE	B	01	RE	B

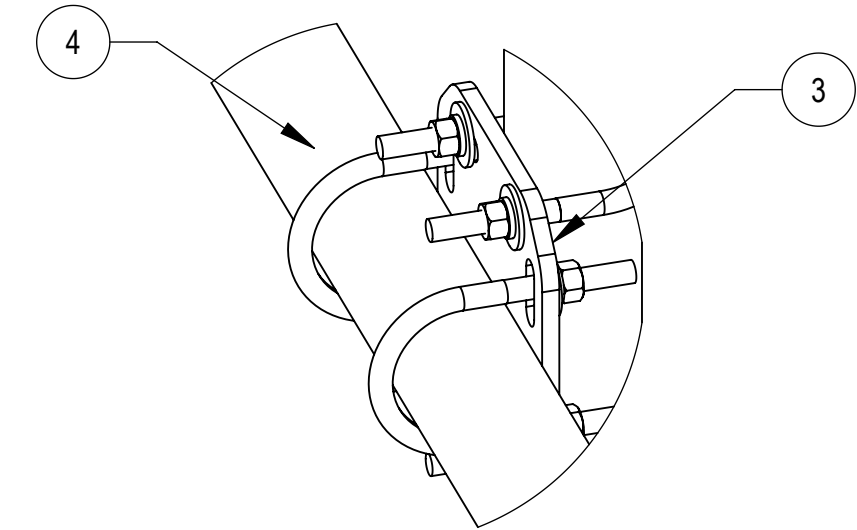
A COMPONENT PART NUMBERS PROVIDED FOR ASSEMBLY PURPOSES; INDIVIDUAL COMPONENTS MAY BE SHIPPED AS PARTS WITHIN AN INCLUDED KIT.

ITEM	PART NO.	DESCRIPTION	QTY.	WEIGHT	NOTE NO.
1	MC4-HR25X-2000	CORNER WELDMENT SNUB NOSE HANDRAIL	4	34.72 LBS	
2	GUB-4352	1/2" X 3" X 5-1/4" GALV U-BOLT	16	0.71 LBS	
3	XP-2525	CROSSOVER PLATE KIT, 2-7/8 OD X 2-7/8 OD	16	8.37 LBS	
4	MT-546-174	PIPE, 2.875"OD X 174"	4	84.30 LBS	

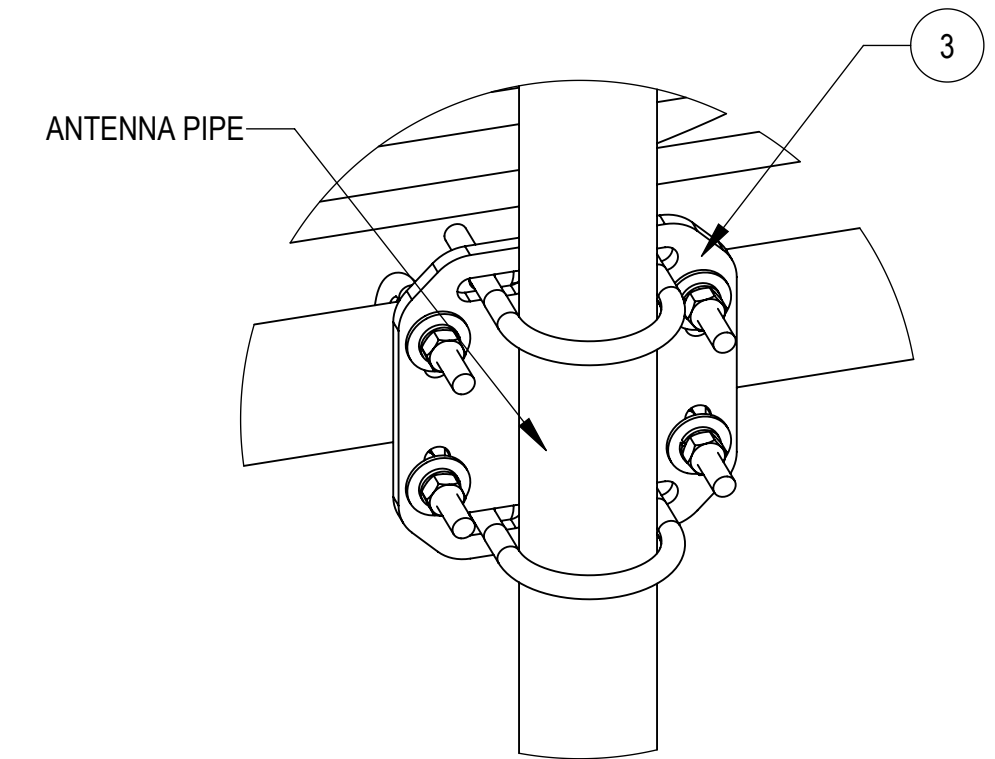
DENSITY	624.54	lbs/in ³
MASS	624.54	lbs
VOLUME	2203.87	in ³
SURFACE AREA	20477.42	in ²
HEIGHT	7.4[188]	
LENGTH	217[5512]	
WIDTH	217[5512]	



DETAIL A
SCALE 1 : 4



DETAIL B
SCALE 1 : 4



DETAIL C
SCALE 1 : 4

IMAGE SHOWS MC4-HR25X-14-16 MOUNTED ON AN MC-PM14M4 SERIES PLATFORM.
THE PLATFORM, VERTICAL PIPES, CROSSOVER PLATE KITS AND RING MOUNT ARE SHOWN FOR MOUNTING CLARITY AND
ARE NOT INCLUDED IN THIS KIT.
CONFIGURATION SHOWN IS FOR 45" OD POLE MOUNTING.

COMMSCOPE, INC. OF NORTH CAROLINA				
TITLE HR4, MONO PLATF, 2-7/8X14,16, 2-7/8 HRW				
SIZE C	SCALE 1:48	DOCUMENT NO. MC4-HR25X-14-16		
		DRAWING		SHEET
		VERSION	STATUS	REVISION
		01	RE	B
				SHEET 2 OF 2