

4

3

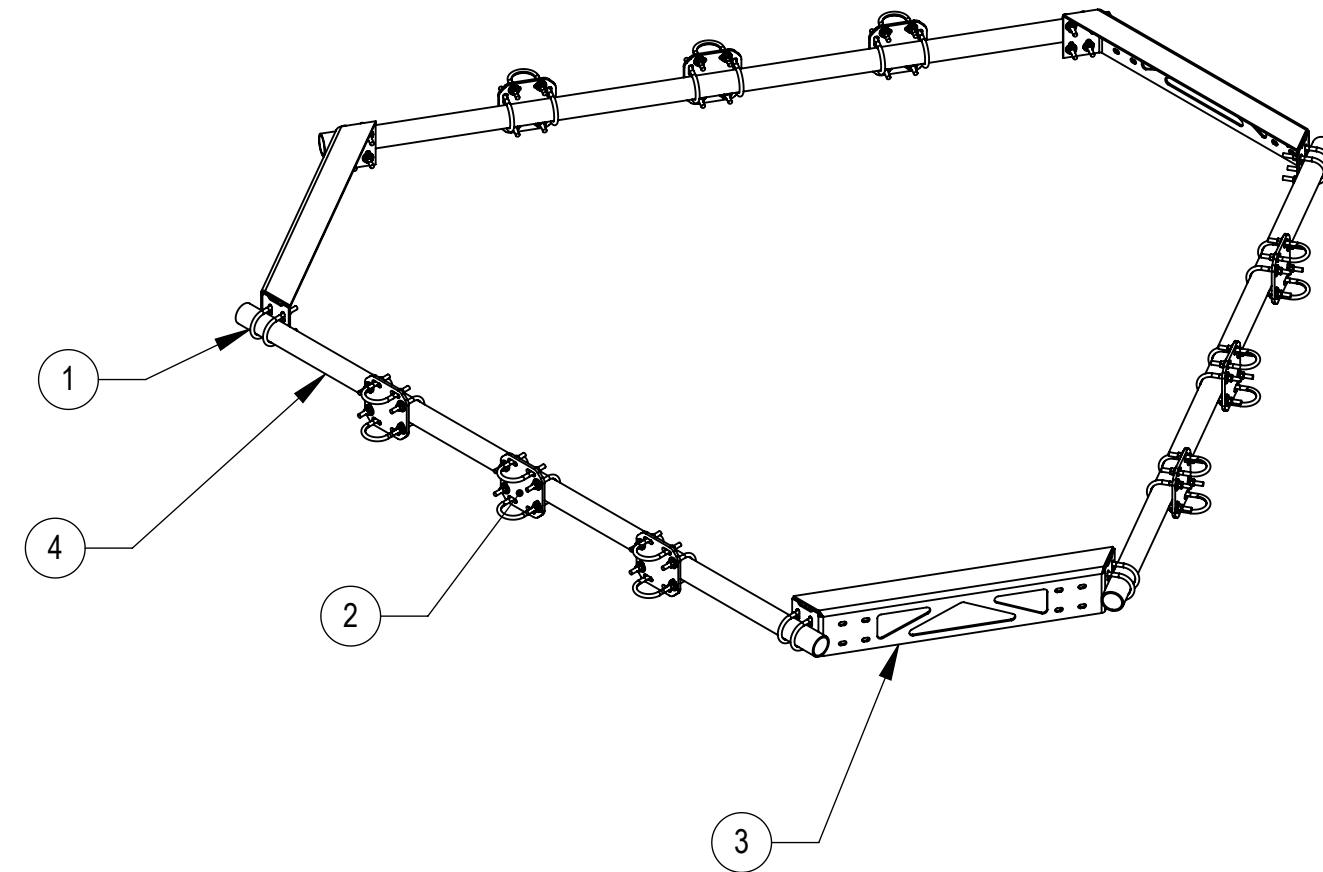
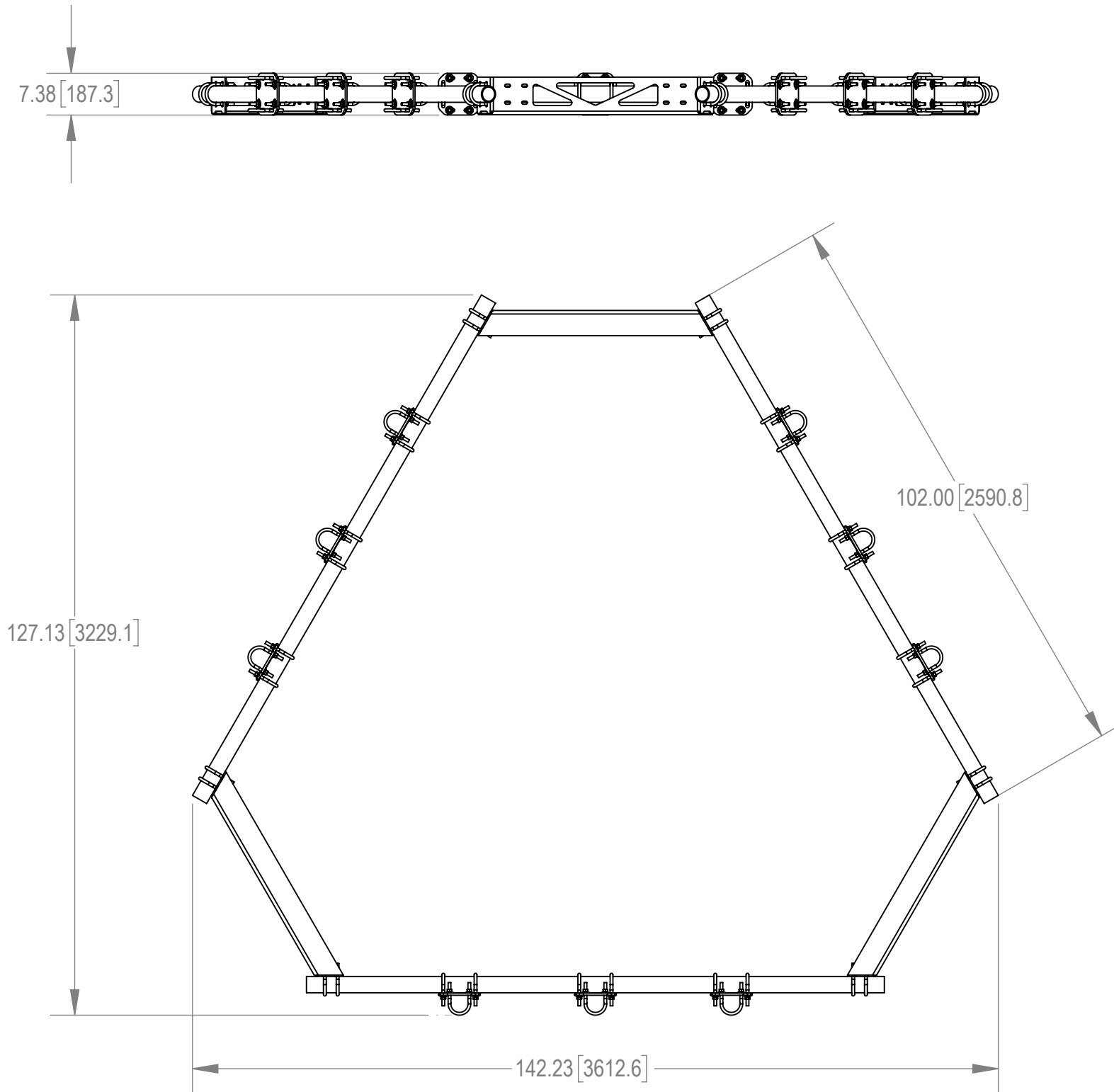
2

1

NOTES:

- 1.0 GENERAL
 - 1.1 ALL METRIC DIMENSIONS ARE IN BRACKETS
 - 1.2 FOR PATENT INFO :<https://www.cs-pat.com>
- 2.0 DESIGN NOTES
 - 2.1 TORQUE TO 45 FT-LBS OR USE "TURN OF NUT" METHOD
 - 2.2 KIT WILL WORK WITH 8 FOOT PLATFORMS AND POLE SIZES FROM 12" OD TO 53" OD.
- 3.0 MANUFACTURING/SPECIAL REQUIRMENTS
- 4.0 TEST
- 5.0 PACKAGING

REVISIONS				
REV.	ECN	DESCRIPTION	DATE	APPROVED
A	8000043841	INITIAL RELEASE	11/23/2020	RKH



COMMSCOPE, INC. OF NORTH CAROLINA

TOLERANCES		SAP MATERIAL MASTER						
1 PLACE .X ± .25	3 PLACE .XXX ± 0.06	MC-HR25X-8-9						
2 PLACE .XX ± 0.12	ANGLES ± 2°							
FINISH GALV A123		MATERIAL A1011, A500						
UNLESS OTHERWISE SPECIFIED DIMENSIONS ARE IN INCHES INTERPRET PER ANSI Y 14.5M-1994	CE	RKH	12/11/2020	HR, MONO PLATF, 2-7/8 x 8, 9, 2-7/8 HRW				
	RW	ROGHANSON	12/16/2020					
	RV							
	AD	MC1107	12/16/2020					
	RE	BCROSS	01/05/2021					
ECN 008000043841			SCALE 1:24	DOCUMENT NO. MC-HR25X-8-9				
SIZE	WORK AREA 24	MODEL		DRAWING	SHEET 1 OF 2			
C		VERSION	STATUS	REVISION		VERSION	STATUS	REVISION
		02	RE	B		01	RE	

ITEM NO.	PART NUMBER	DESCRIPTION	QTY.
1	GUB-4352	1/2" X 3" X 5-1/4" GALV U-BOLT	12
2	XP-2525	CROSSOVER PLATE KIT, 2-7/8 OD X 2-7/8 OD	9
3	MT195801	CORNER WELDMENT SNUB NOSE HANDRAIL	3
4	MT546102	2.875" O.D. X 102" PIPE	3

4

3

2

1

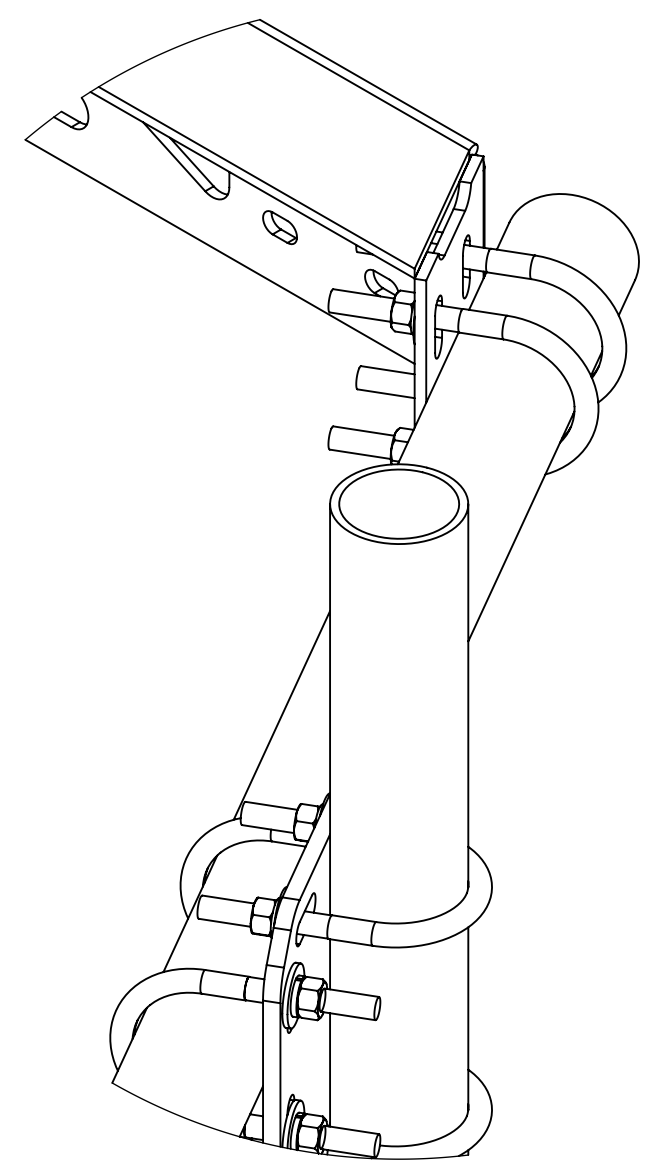
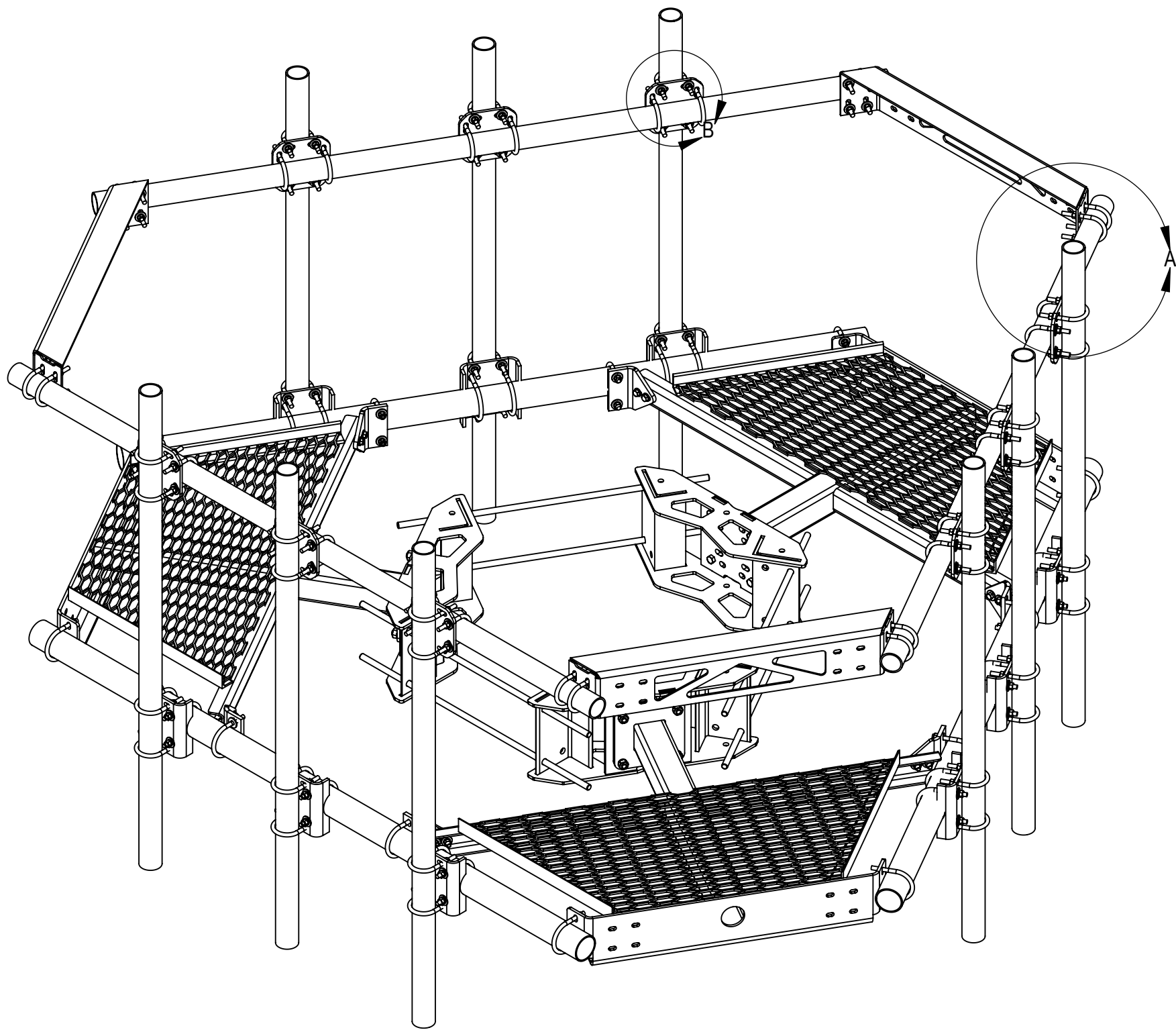
4

3

2

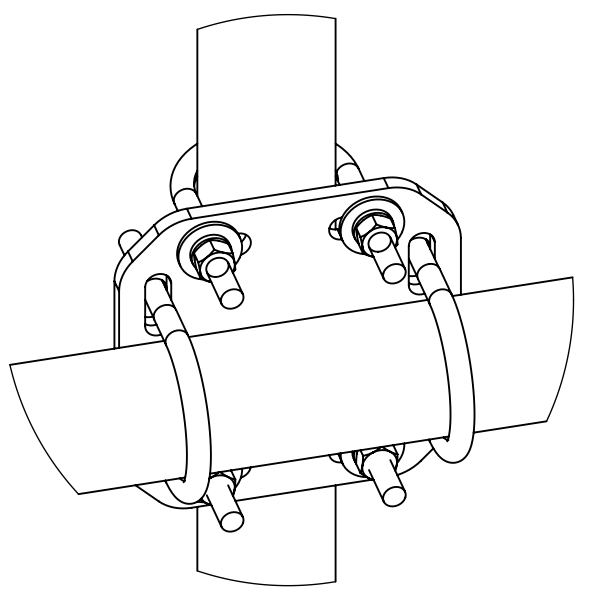
1

NOTES:



DETAIL A
SCALE 1 : 4

HANDRAIL ASSEMBLY MC-HR25X-8-9 SHOWN MOUNTED TO PLATFORM MC-PK8-C.
RING MOUNT, PLATFORM AND VERTICAL FACE PIPES NOT INCLUDED WITH
MC-HR25X-8-9.



DETAIL B
SCALE 1 : 4

COMMSCOPE, INC. OF NORTH CAROLINA				
TITLE HR, MONO PLATF, 2-7/8 x 8, 9, 2-7/8 HRW				
SIZE C	SCALE 1:32	DOCUMENT NO. MC-HR25X-8-9		
		DRAWING		SHEET
		VERSION	STATUS	REVISION
		01	RE	
				SHEET 2 OF 2

© 2020 CommScope, Inc. Confidential

4

3

2

1

D

D

C

C

B

B

A

A