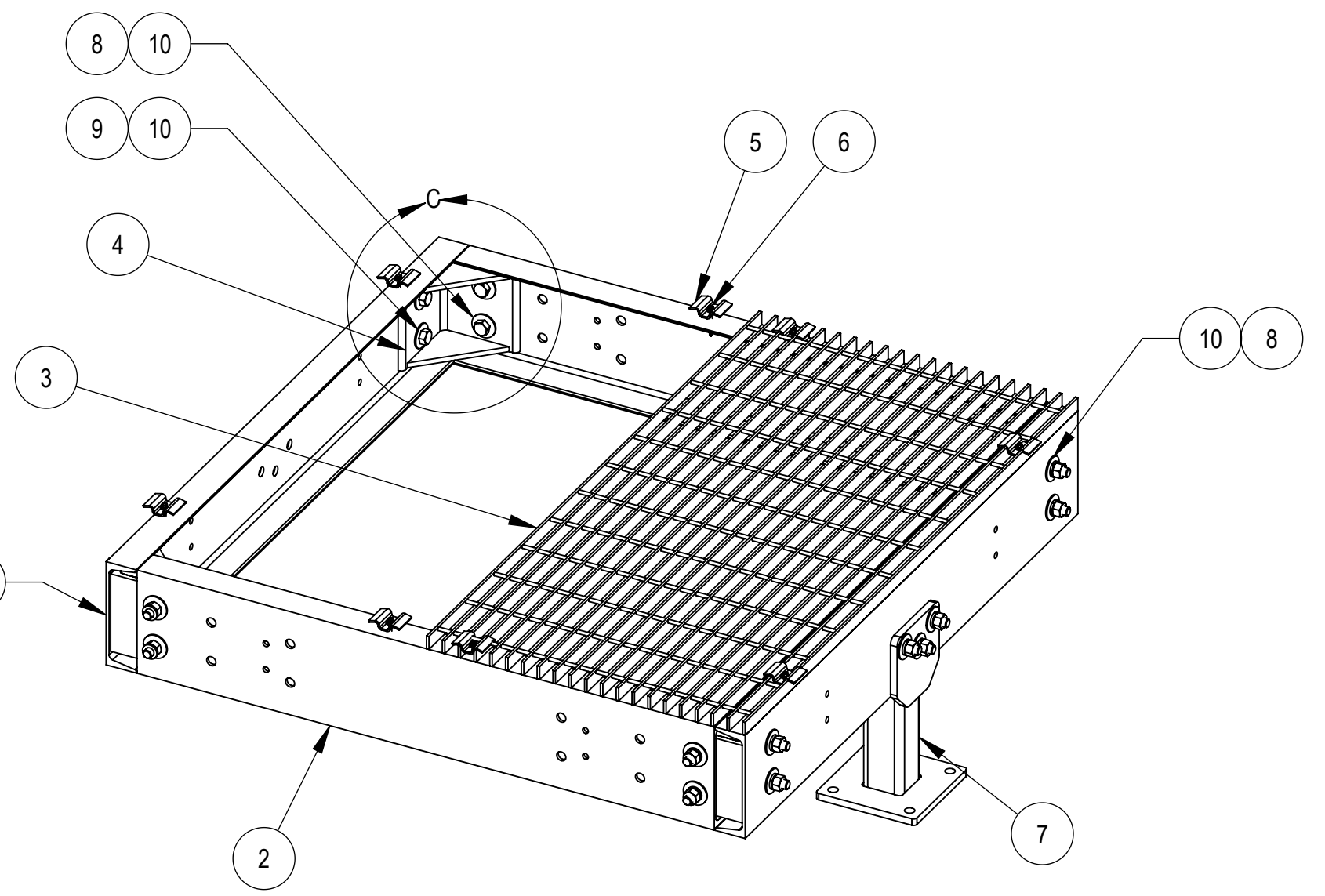
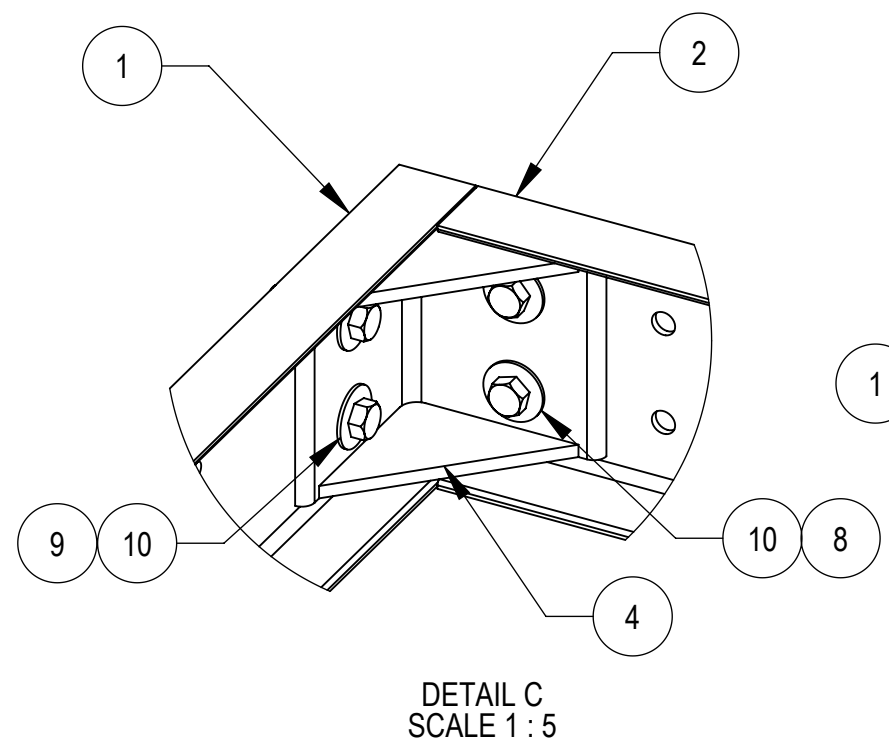
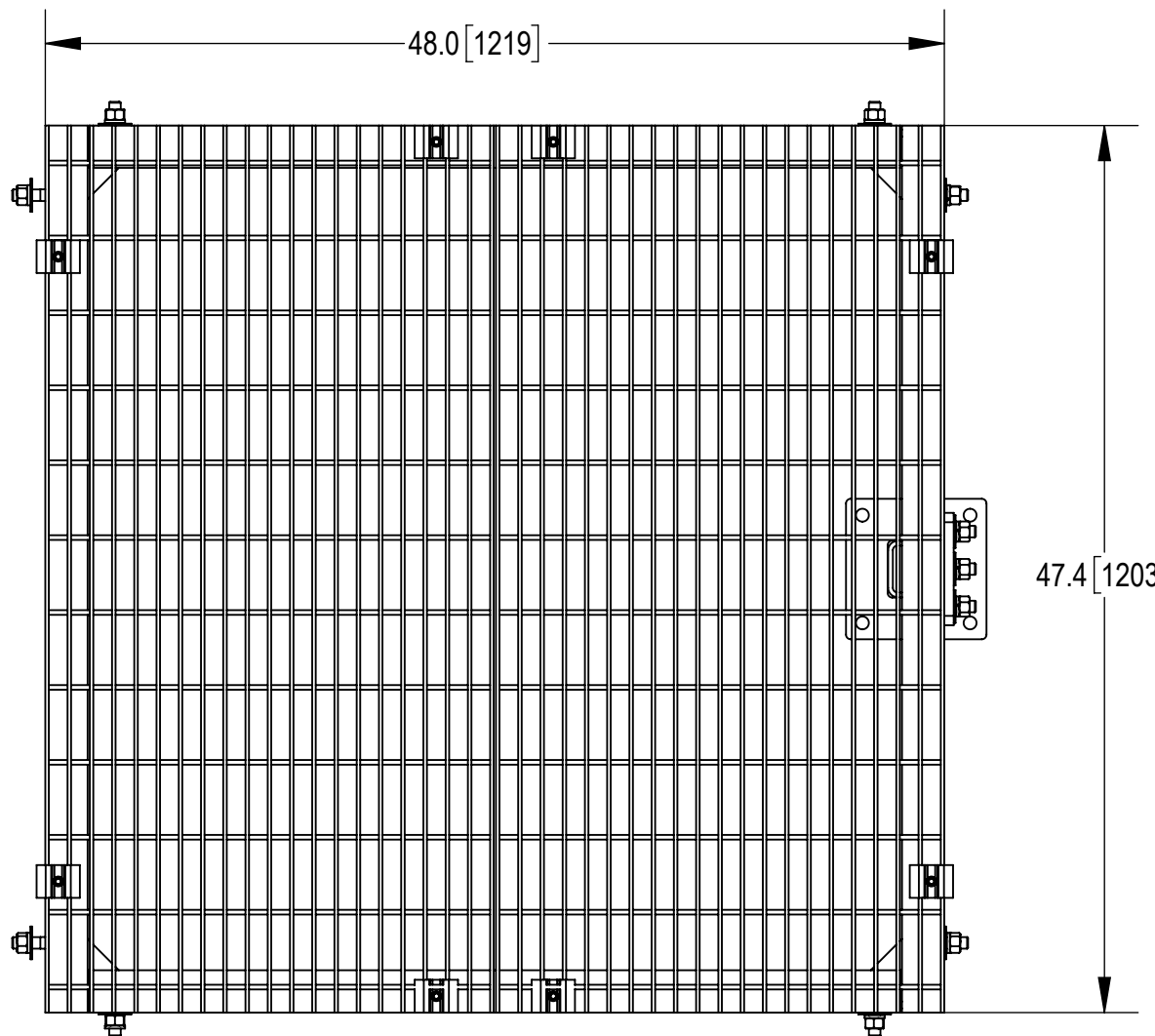


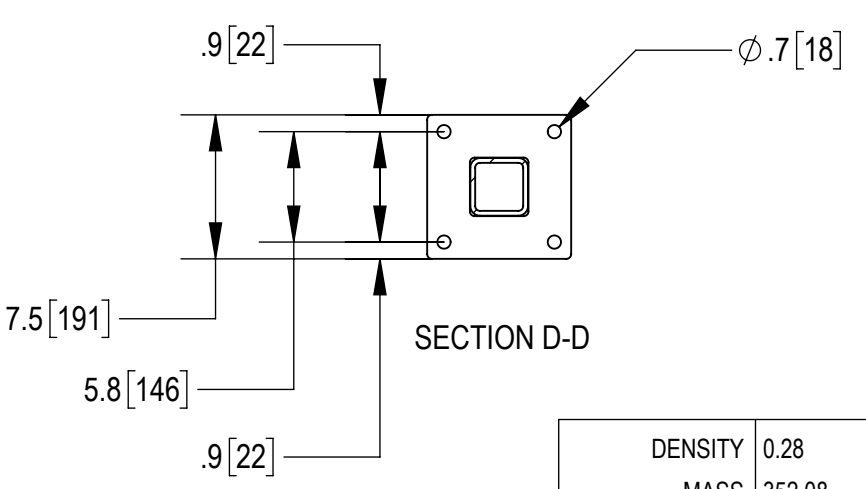
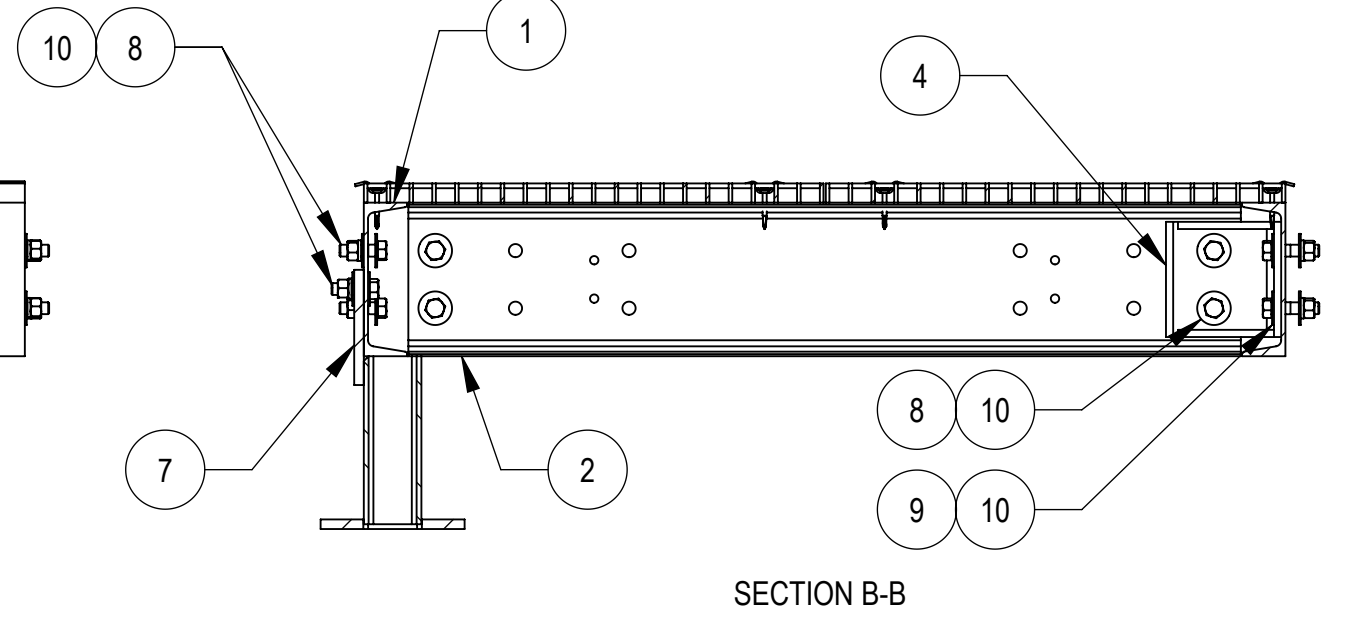
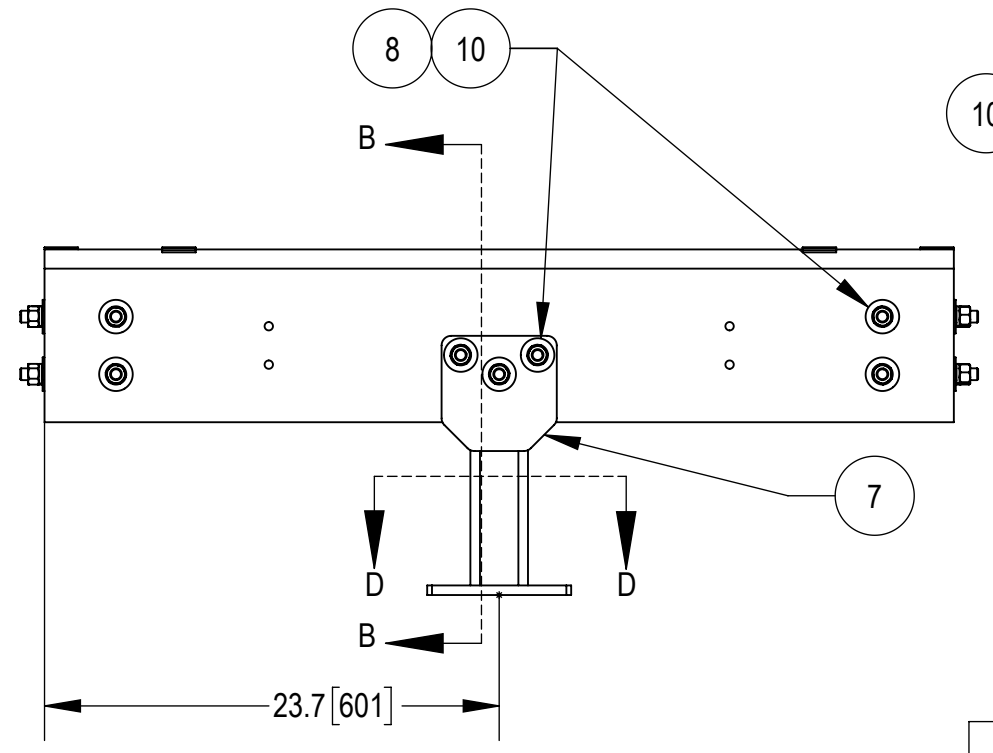
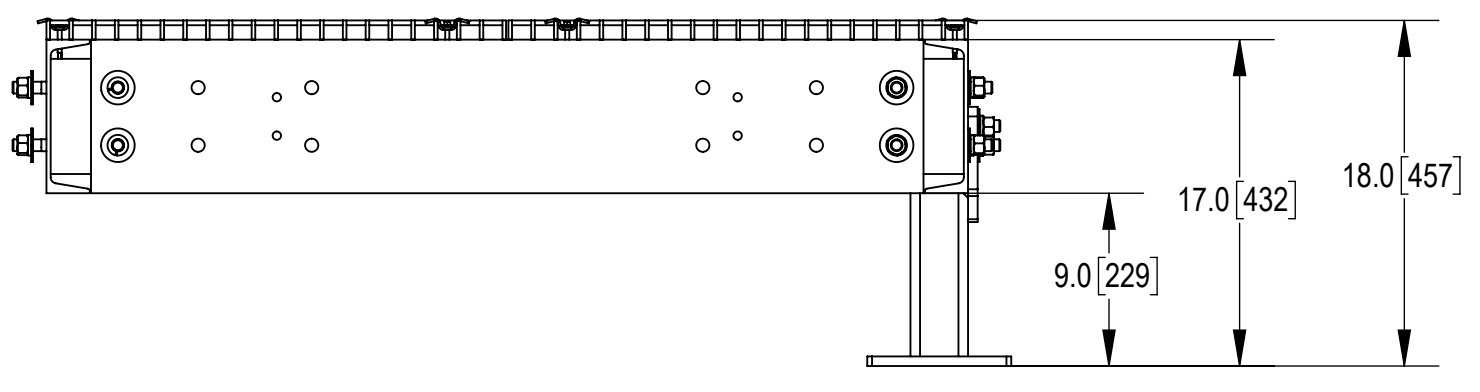
NOTES:

- 1.0 GENERAL
 - 1.1 ALL METRIC DIMENSIONS ARE IN BRACKETS
 - 1.2 MARK PART WITH IDENTIFICATION NUMBER
 - 1.3 FOR PATENT INFO: <https://www.cs-pat.com>
- 2.0 DESIGN NOTES
- 3.0 MANUFACTURING/SPECIAL REQUIREMENTS
 - 3.1 TIGHTEN ALL BOLTS SECURING FLAT PLATES BY THE TURN-OF-NUT METHOD. TIGHTEN ALL U BOLTS USING TURN-OF-NUT METHOD WITH ATTENTION TO LEAVE EQUAL DISTANCE AND EQUAL FORCE ON EACH LEG OF THE U-BOLT.
- 4.0 TEST
- 5.0 PACKAGING
 - 5.1 PACKAGING SHALL MEET COMMSCOPE REQUIREMENTS PER DOCUMENT IS-PL-3005
 - 5.2 PRINTED DOCUMENT TO BE PLACED INSIDE POLYBAG AND THEN IN SHIPPING CONTAINER
 - 5.3 EXTRA HARDWARE MAYBE SUPPLIED BAGGED AND SHIPPED

REVISIONS				
REV.	ECN	DESCRIPTION	BY	DATE
A	15839	INITIAL RELEASE	MAC	2021/9/14
B	15839	CHANGED THE BOM LIST	MAC	2021/12/16



SOME FIELD FITTING MAY BE REQUIRED IF STAIRCASE & LANDING, OR SHIPS LADDER WILL BE USED.



BOM IS FOR REFERENCE ONLY, PART NUMBER SUBSTITUTIONS MAY BE MADE

ITEM	PART NO.	DESCRIPTION	QTY.	WEIGHT	NOTE NO.
1	EQP0404-1000	SIDE CHANNEL, EQUIPMENT PLATFORM	2	45.26 LBS	
2	EQP0404-2000	SIDE CHANNEL, EQUIPMENT PLATFORM	2	41.30 LBS	
3	EQP0404-3000	24" X 47.36" BAR GRATING	2	55.87 LBS	
4	EQP0810-1400	WELDMENT, ANGLE STEEL REINFORCEMENT	4	9.73 LBS	
5	MTC390324	BAR GRATING CLIP	8	0.17 LBS	
6	TS1220	12-24 X 2" SELF DRILLING SCREW	8	0.03 LBS	
7	MTC3823A01	WELDMENT, IPDS FIXED FOOT	1	17.32 LBS	
8	GB-05205	5/8" X 2" GALV BOLT KIT	15	0.26 LBS	
9	GB-05245	5/8" X 2-1/2" GALV BOLT KIT	4	0.30 LBS	
10	GWF-05	5/8" GALV FLAT WASHER	38	0.06 LBS	

DENSITY	0.28	lbs/in ³
MASS	352.08	lbs
VOLUME	1243.27	in ³
SURFACE AREA	11243.52	in ²
HEIGHT	20.948	
LENGTH	49.890	
WIDTH	52.015	

COMMSCOPE, INC. OF NORTH CAROLINA

TOLERANCES
 1 PLACE .X ± 0.25
 2 PLACE .XX ± 0.12
 3 PLACE .XXX ± 0.06
 ANGLES ± 2°

SAP MATERIAL MASTER
EQP0404L-DSH

FINISH: GALV A123
 MATERIAL: SEE BOM

NAME	DATE	TITLE
CE MAC	10/10/2021	48" X 48" ELEVATED LD FOR EQP
RW YMENG	03/16/2022	
AD BA1025	03/16/2022	
RE MM1298	03/16/2022	

SCALE: 1:10
 DOCUMENT NO.: **EQP0404L-DSH**

SIZE	Auth Group	INSL	MODEL	DRAWING			SHEET		
C			VERSION	STATUS	REVISION	VERSION	STATUS	REVISION	1 OF 1
			01	RE	B	01	RE	B	