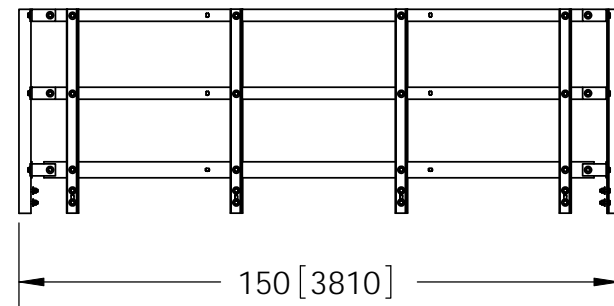
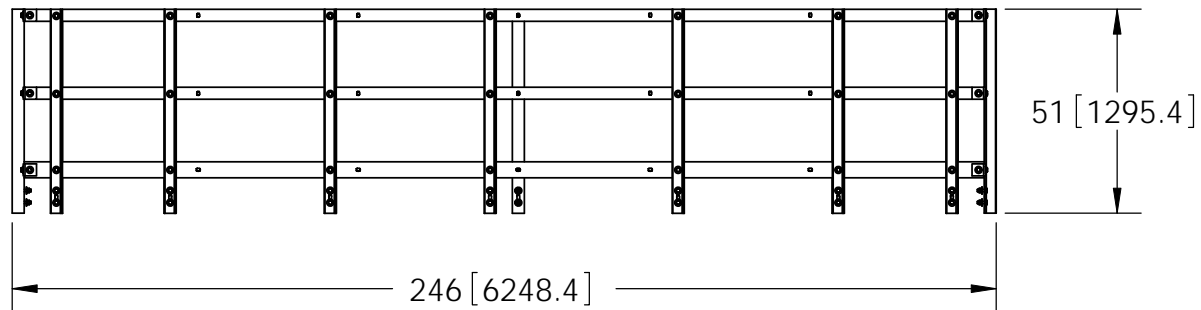
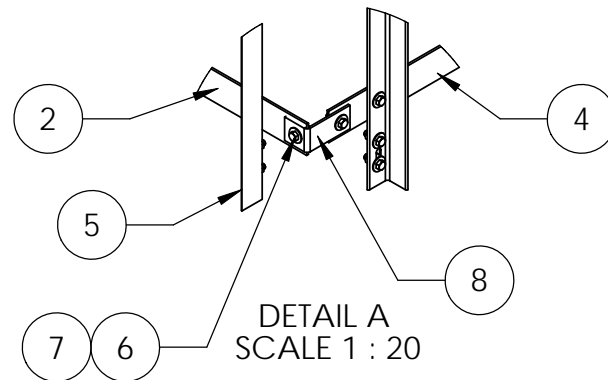
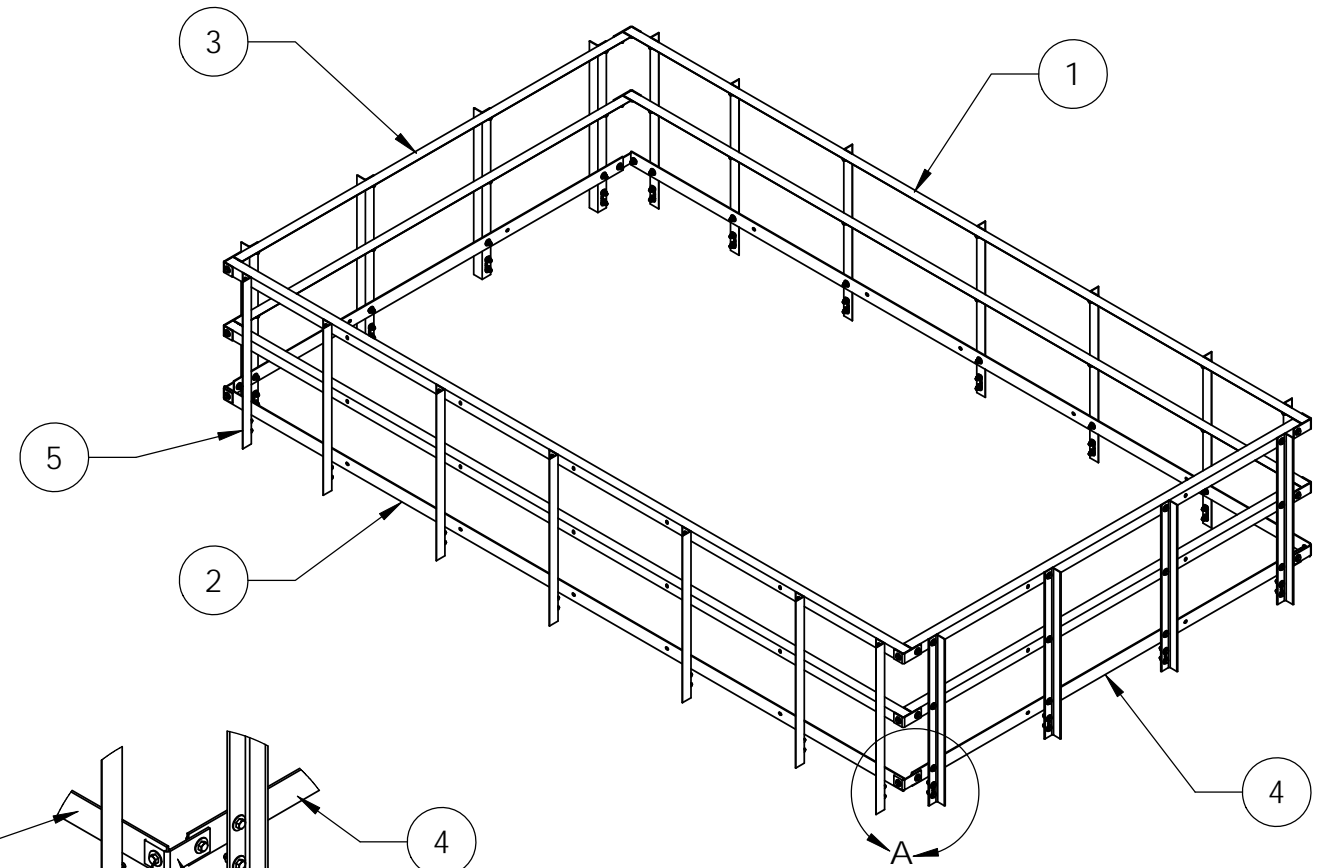
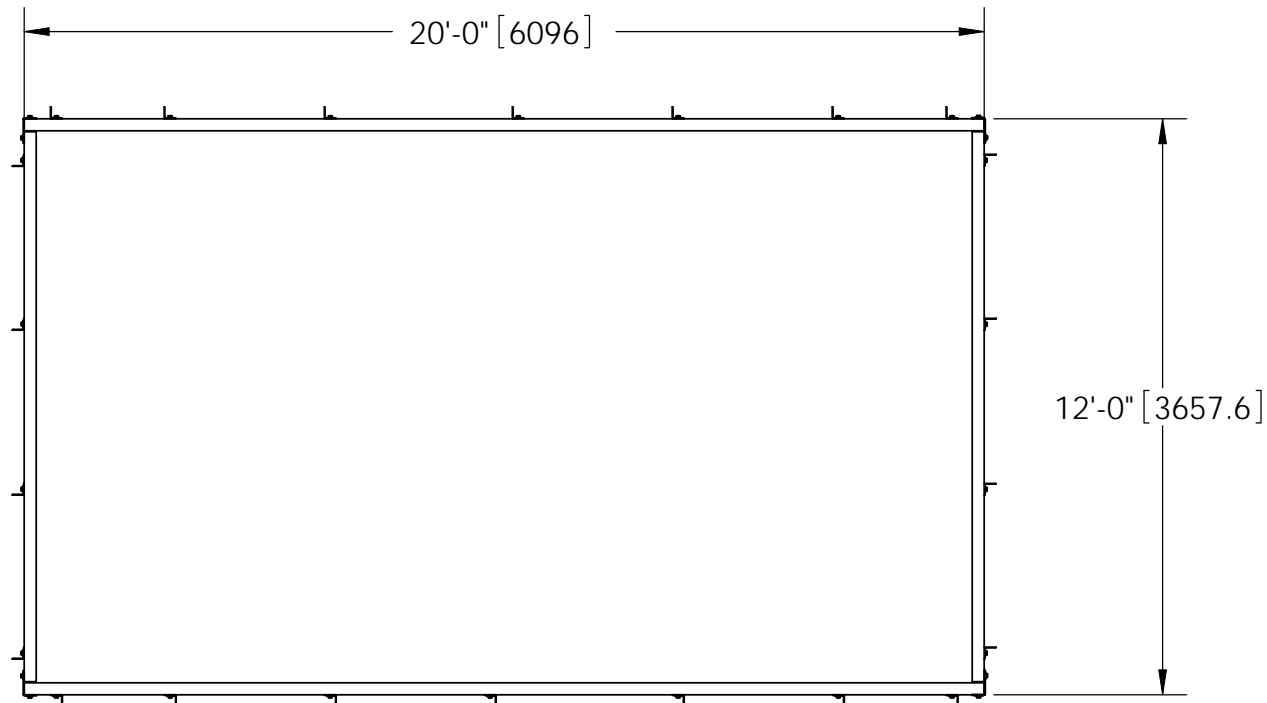


ITEM	PART NO.	DESCRIPTION	QTY.	WEIGHT
1	MTC79021020.02	20' SIDE HANDRAIL	4	73.67 LBS
2	MTC79021020.03	20' SIDE TOEBOARD	2	67.05 LBS
3	EQHR121601	12' END HANDRAIL	4	42.21 LBS
4	EQHR121602	12' END TOEBOARD	2	38.42 LBS
5	EQHR01	HANDRAIL POST	22	15.54 LBS
6	GB-05205	5/8" X 2" GALV BOLT KIT	134	0.27 LBS
7	GWF-05	5/8" GALV FLAT WASHER	268	0.03 LBS
8	MTC7902.08	HANDRAIL ANGLE CLIP	12	1.87 LBS

REVISIONS				
REV.	ZONE	DESCRIPTION	BY	DATE
A		INITIAL RELEASE	MSM	10/11/12



NOTES:
1. ALL METRIC DIMENSIONS ARE IN BRACKETS.

These drawings and specifications are the proprietary property of CommScope Inc. and may be used only for the specific purpose authorized in writing by CommScope Inc. ALL DIMENSIONS ARE IN INCHES U.O.S. TOLERANCES UNLESS OTHERWISE SPECIFIED: .X = ± .12 ANGLES ±2° .XX = ± .06 FRACTIONS ±1/32 .XXX = ± .03 REMOVE BURRS AND BREAK EDGES .005 DO NOT SCALE THIS PRINT	DRAWN BY: MSM	SHEET: 1 of 1	PART NUMBER: EQ-HR1220
	CHECKED BY: TP	SCALE: NTS	DESCRIPTION: 12' x 20' Platform Handrail
	DATE: 10/11/12	MATERIAL: A36, A529	DRAWING TYPE: ASSEMBLY DRAWING
	REVISION: A	FINISH: GALV A123	 Hickory, NC 28602 U.S.A.
WEIGHT: 1103.70 LBS			