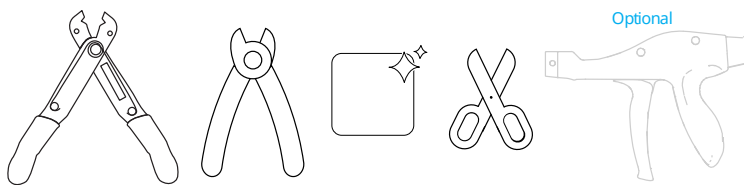


## NOVUX™ Fiber Optic System NVX-CR-DU-FL-NN: Cable retention - Dual cable (split carrier)

### 1 Cable diameter range

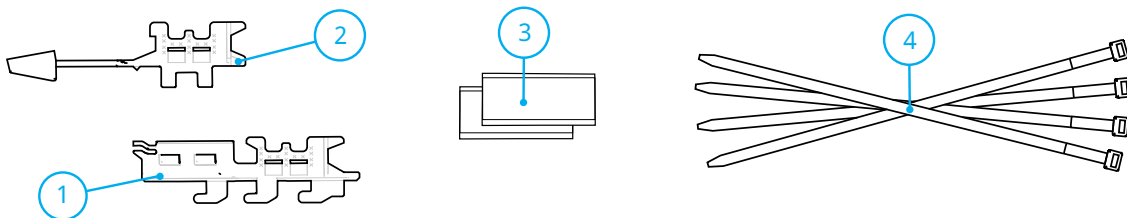
	mm	Inches
Round cable	≤ 6,2	≤ 0.25

### 2 Tools



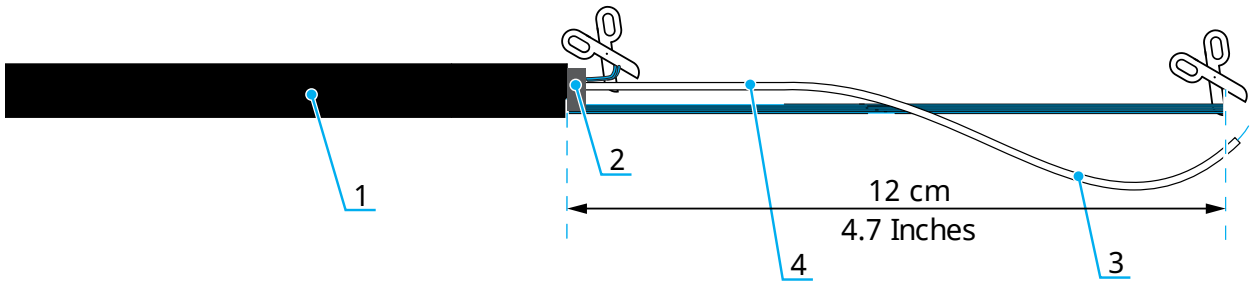
- Cable stripping and cleaning tools
- Scissors
- Cable Tie Gun (optional)

### 3 Kit contents

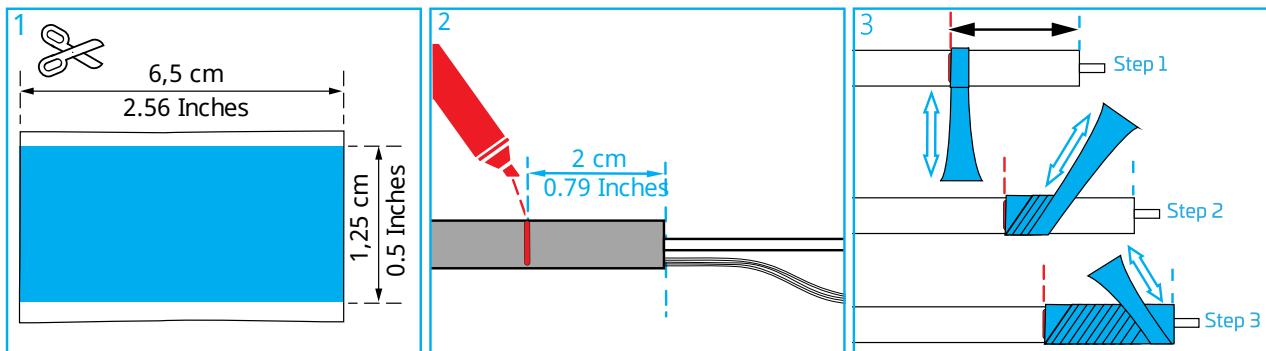


N°	Description	Qty
1	Bottom carrier	1
2	Top carrier	1
3	Silicone tape (1,25 cm / 0.5 Inch width)	2
4	Cable ties	5

## 4 Prepare drop cables



N.º	Description	Preparation
1	Jacket	<p>⚠ <b>Attention:</b> The distance of the jacket that should be removed is depending on the closure where the cable retention is installed. Distances below are valid for cable stubs:</p> <ul style="list-style-type: none"> <li>• CC 100: 130 ±5 cm / 51 ±2 Inches</li> <li>• CC 150: 135 ±2,5 cm / 53 ±1 Inch</li> <li>• CC 200: 135 ±2,5 cm / 53 ±1 Inch</li> <li>• SRC 100: 90 ±5 cm / 35 ±2 Inches</li> <li>• SRC 50: 130 ±5 cm / 51 ±2 Inches</li> </ul>
2	Dual jacket (if present)	Make the dual jacket as small as possible; keep a maximum length of 1,2 cm / 0.47 Inches. Remove the aramid yarn inside this second jacket.
3	Aramid yarn	Cut the aramid yarn to length to 12 ±1cm / 4.7 ±0.2 Inches. Limit the amount of aramid yarn.
4	Subunits	<p>Clean the subunits, remove all grease. The subunit tube should be removed to access the fiber.</p> <p>⚠ <b>Attention:</b> Stripping point of the subunit is provided in the closure installation instructions.</p>
5	Rigid strength member (if present)	Remove the rigid strength member.



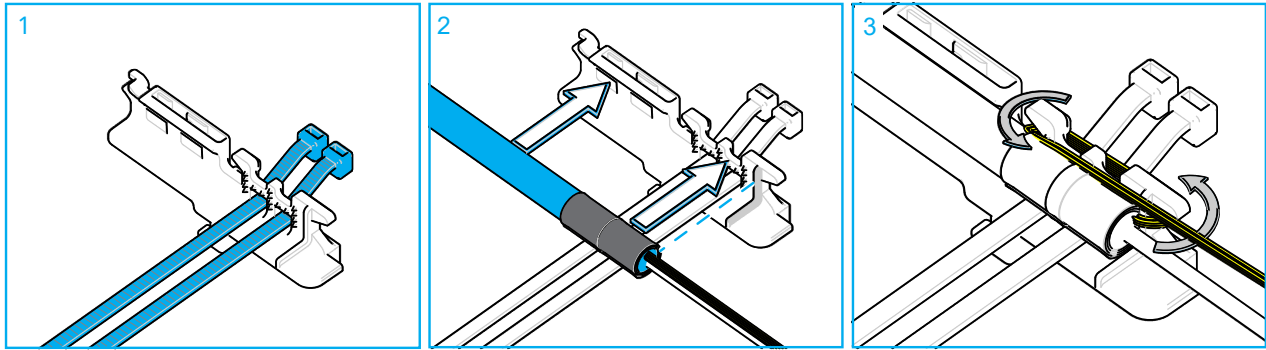
1 Use the strip silicone tape provided in the kit: 6,5 X 1,25 cm / 2.56 X 0.5 Inches.

⚠ **Attention:** Make sure your hands are clean and degreased before preparing and installing the cables. Degrease the cables where the cable will enter the closure.

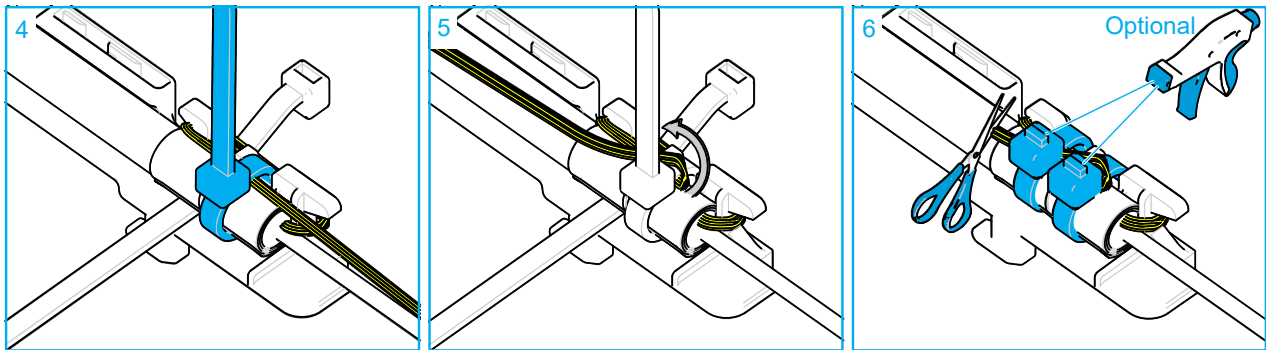
2 Make a mark 2 cm / 0.79 Inches from the end of the cable jacket.

3 Apply the silicone tape between the mark and the jacket end. Remove the protective paper. Stretch the tape minimum 50% while wrapping the tape around the cable. First apply a full turn around the cable, then continue to cover up to the jacket end. Make one turn at the end point and come back with the remaining tape.

## 5 Install cable on the bottom carrier



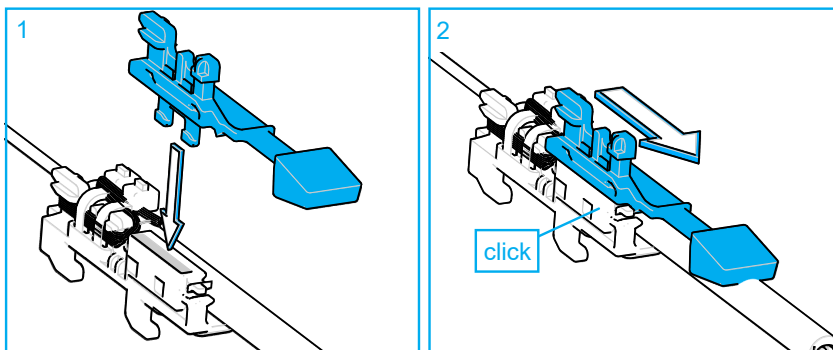
- 1 Install two cable ties in the slots of the bottom carrier as shown. Make sure the teeth of the cable ties are facing upwards.
- 2 Position the first cable on the bottom carrier with the sheath opening aligned with the rib on the carrier.
- 3 Guide the aramid yarn under the hook along the left side to the second hook, turn under the hook to the right side and guide back to the front.



- 4 Secure the cable tie with the aramid yarn caught between cable and cable tie but do not tighten yet. Make sure to put the aramid yarn under tension during this operation.
- 5 Twist the aramid yarn back over the closed cable tie.
- 6 Secure the second cable tie with the aramid yarn a second time caught between cable and cable tie. Tighten the two cable ties, a cable tie gun can be used. The recommended force is 85N. Cut off excess aramid yarn and cable tie straps.

## 6 Park top carrier

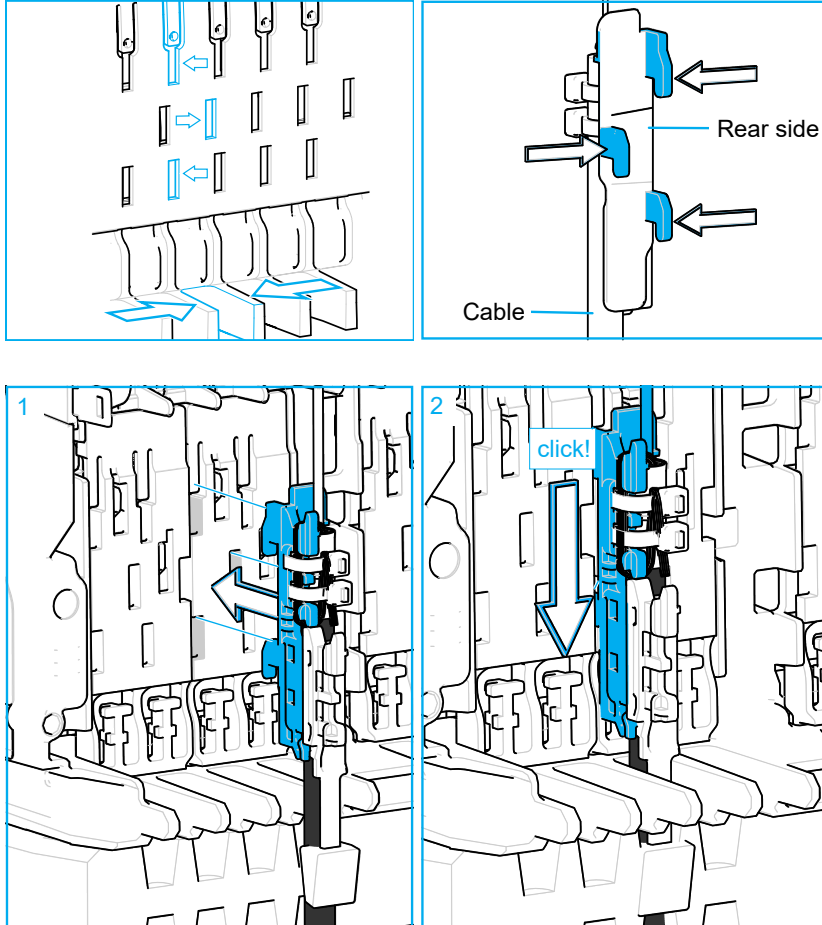
The top carrier can be parked on the bottom carrier to be stored until a second cable needs to be installed.



- 1 Align the top carrier with the slots of the bottom carrier.
- 2 Slide the top carrier backwards. The carrier is locked correctly if a clicking sound is observed.

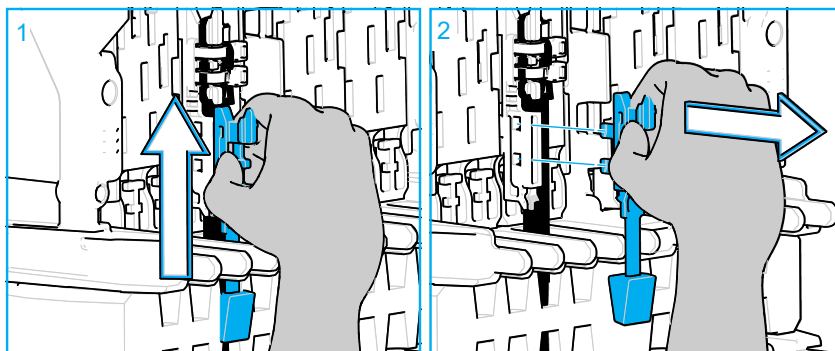
## 7 Install carriers

To secure the cable to the organizer, the three hooks on the rear side of the carrier should slide into the 3 slots on the interface plate on the organizer. The top left slot has a locking lip to keep the cable - carrier assembly in place when installed.



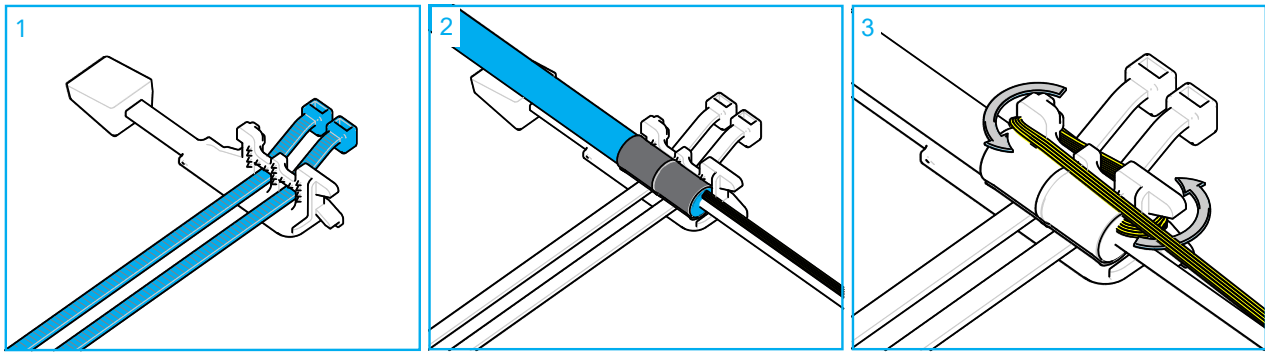
- 1 Slide the carriers with the cable secured into the slots of the organizer. Push the locking lip in the first slot backwards.
- 2 Slide the carrier downwards. The locking lip returns into its original position and the carrier is correctly seated. A clicking sound is observed.

## 8 Remove top carrier to install second cable

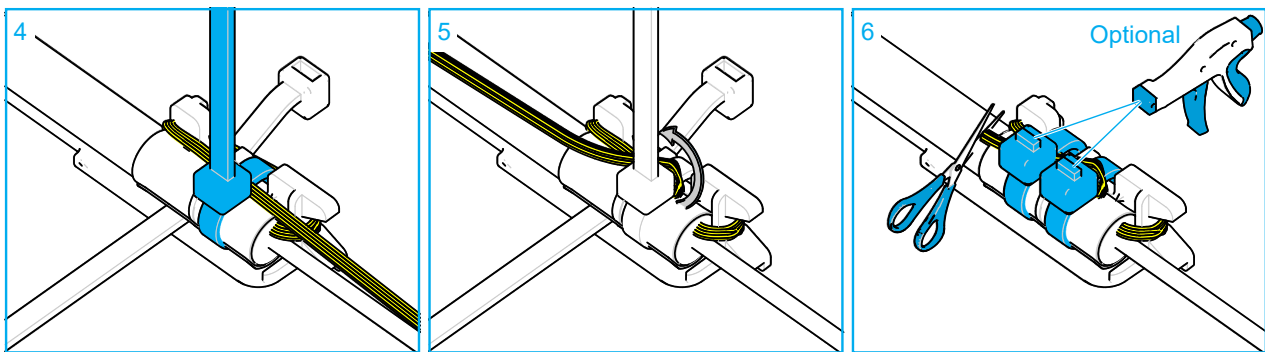


- 1 Push the top carrier upwards. The top carrier releases with a click.
- 2 Remove the top carrier.

## 9 Install cable on the top carrier

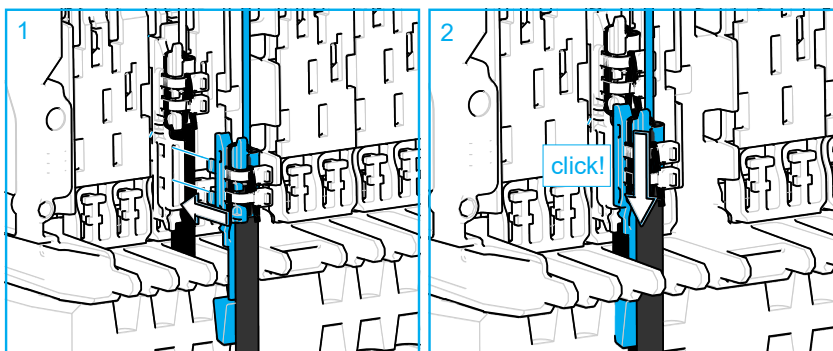


- 1 Install two cable ties in the slots of the top carrier as shown. Make sure the teeth of the cable ties are facing upwards.
- 2 Position the second cable on the top carrier with the sheath opening aligned with the rib on the carrier.
- 3 Guide the aramid yarn under the hook along the left side to the second hook, turn under the hook to the right side and guide back to the front.

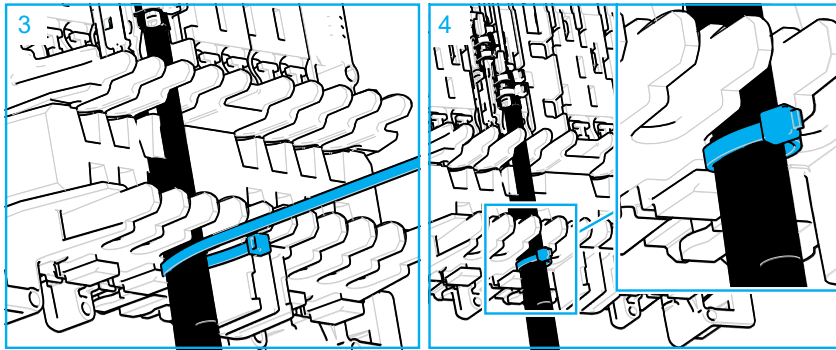


- 4 Secure the cable tie with the aramid yarn caught between cable and cable tie but do not tighten yet. Make sure to put the aramid yarn under tension during this operation.
- 5 Twist the aramid yarn back over the closed cable tie.
- 6 Secure the second cable tie with the aramid yarn a second time caught between cable and cable tie. Tighten the two cable ties, a cable tie gun can be used. The recommended force is 85N. Cut off excess aramid yarn and cable tie straps.

## 10 Install top carrier



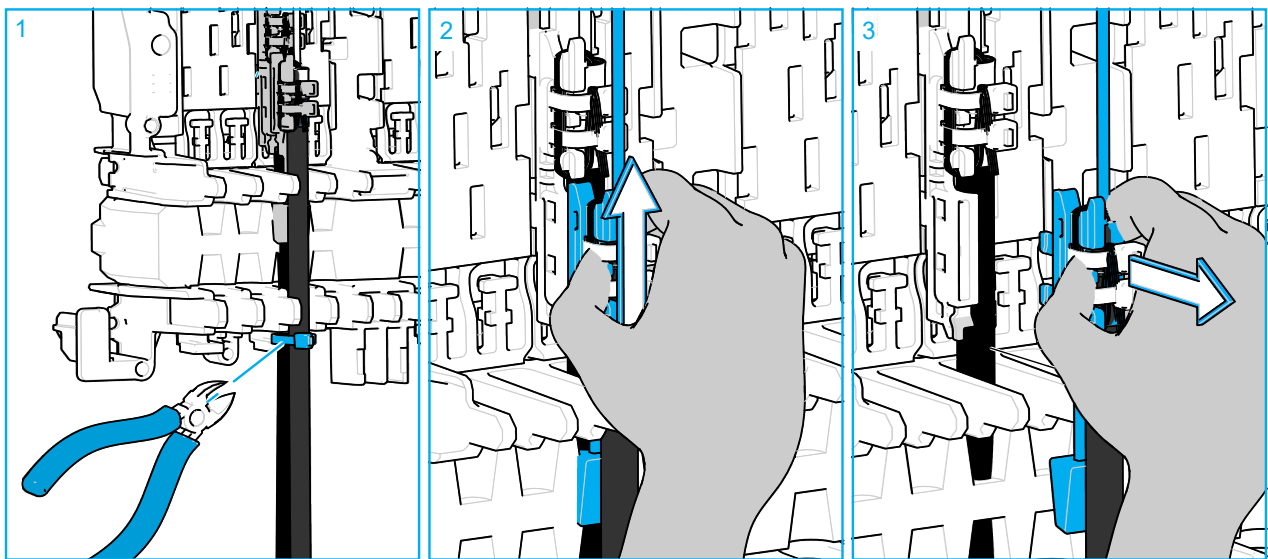
- 1 Align the top carrier with the cable secured with the slots of the bottom carrier.
- 2 Slide the top carrier downwards. The carrier is locked correctly if a clicking sound is observed.



- 3 Install a cable tie around the 2 cables just below the organizer.
- 4 Secure the cable tie.

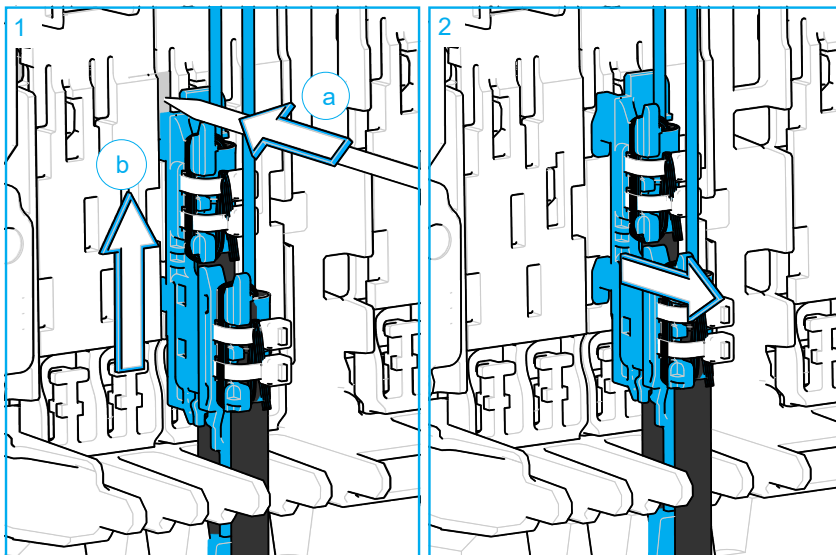
## 11 Remove carriers

### 11.1 Remove only the top carrier



- 1 Remove the cable tie outside the closure that holds the top and bottom cable together.
- 2 Push the top carrier upwards. The top carrier releases with a click.
- 3 Remove the top carrier.

## 11.2 Remove the entire carrier



- 1 To release the carrier:
  - a Position the fiber guidance pen on the locking lip of the first slot and push the locking lip backwards.
  - b When the lock is released, move the carrier up.
- 2 Lift the carrier out.