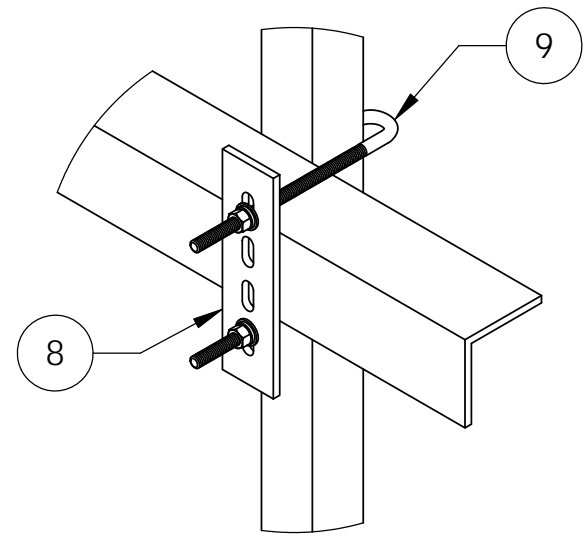
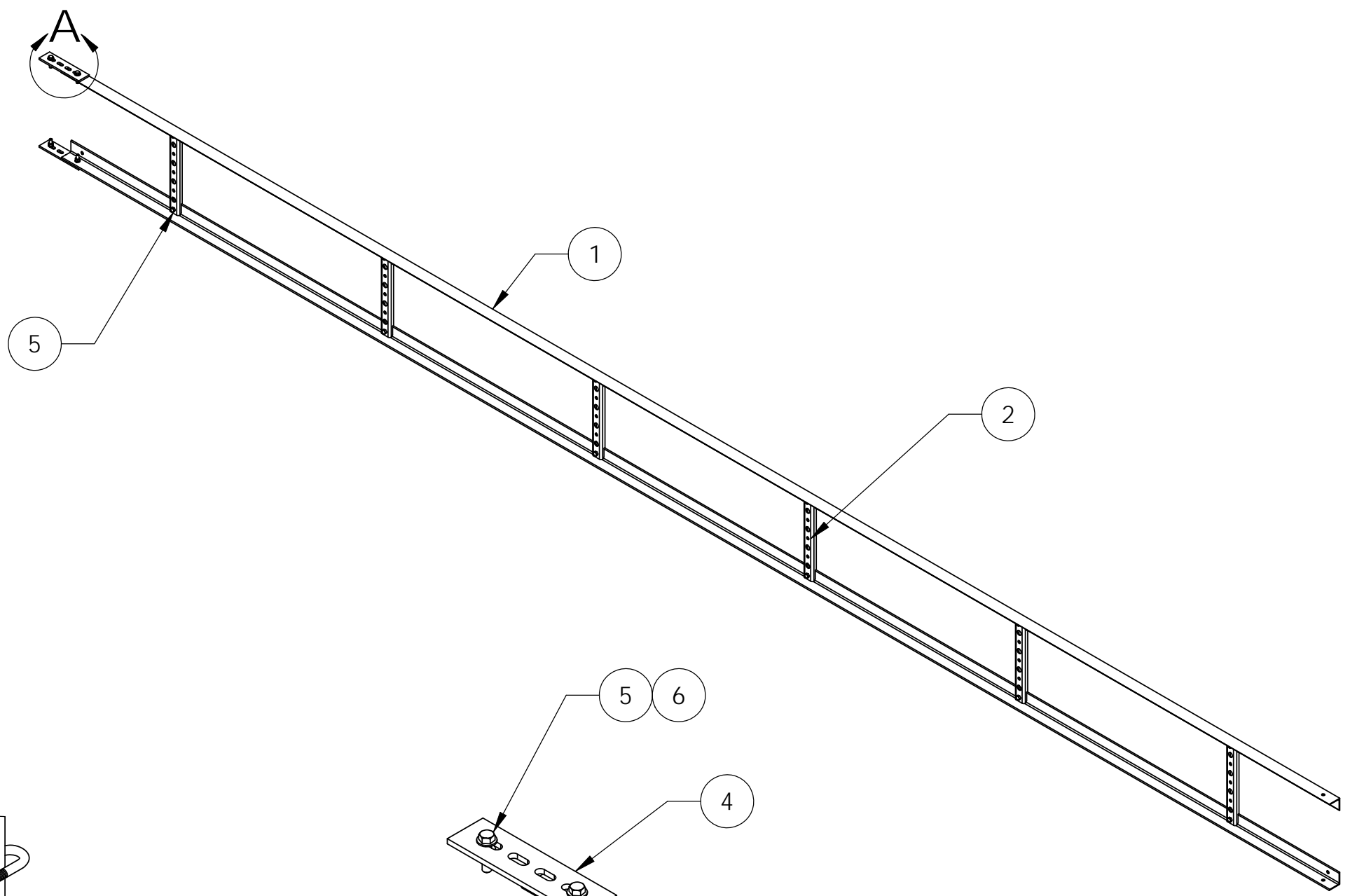
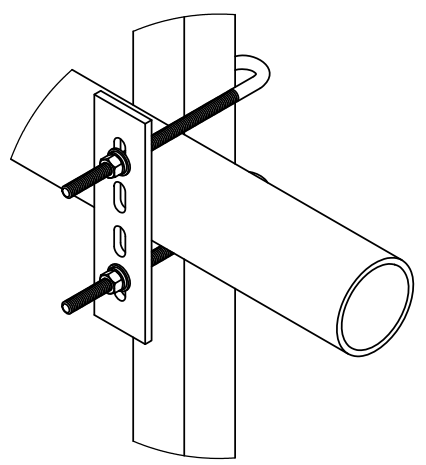


ITEM	PART NO.	DESCRIPTION	QTY.	WEIGHT
1	CL20.01	20' ANGLE SIDE RAIL	2	32.76 LBS
2	CL04R.01	13" CABLE LADDER RUNG	6	1.14 LBS
3	CL20H	HARDWARE KIT (ITEMS 4-7)	1	-
4	HKCLU.02	BACKING PLATE	2	0.95 LBS
5	GB-03145	3/8" X 1-1/2" GALV BOLT KIT	16	0.07 LBS
6	GWF-03	3/8" GALV FLAT WASHER	4	0.01 LBS
7	HK-CL-U	HARDWARE KIT (ITEMS 8-9)	2	-
8	HKCLU.02	BACKING PLATE	4	0.95 LBS
9	GJB0380	3/8" X 8" GALV. J-BOLT	8	0.36 LBS

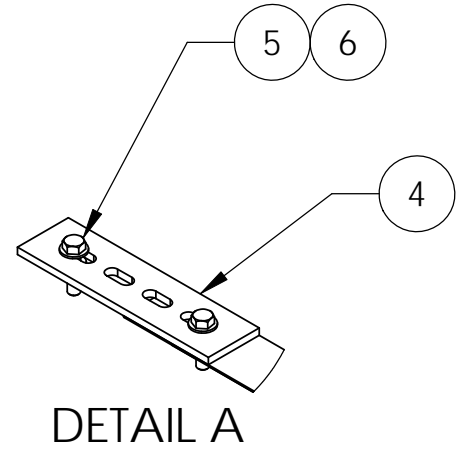
REVISIONS				
REV.	ZONE	DESCRIPTION	BY	DATE
A		INITIAL RELEASE	DRR	03/15/11



ANGLE MEMBER



ROUND MEMBER



<small>These drawings and specifications are the proprietary property of ANDREW CORPORATION and may be used only for the specific purpose authorized in writing by Andrew Corporation.</small> ALL DIMENSIONS ARE IN INCHES U.O.S. TOLERANCES UNLESS OTHERWISE SPECIFIED: .X = .12 ANGLES 2' .XX = .06 FRACTIONS 1/32 .XXX = .031 REMOVE BURRS AND BREAK EDGES .005 DO NOT SCALE THIS PRINT	DRAWN BY: DRR	SHEET: 1 of 1	PART NUMBER: CL-0420-U
	CHECKED BY: TP	SCALE: NTS	DESCRIPTION: 20' CABLE LADDER - 4 HOLE RUNG
	DATE: 03/10/11	MATERIAL: A36	DRAWING TYPE: ASSEMBLY DRAWING
	REVISION: A	FINISH: GALV A123	
	WEIGHT: 81.84 LBS	ORLAND PARK, IL. 60462	