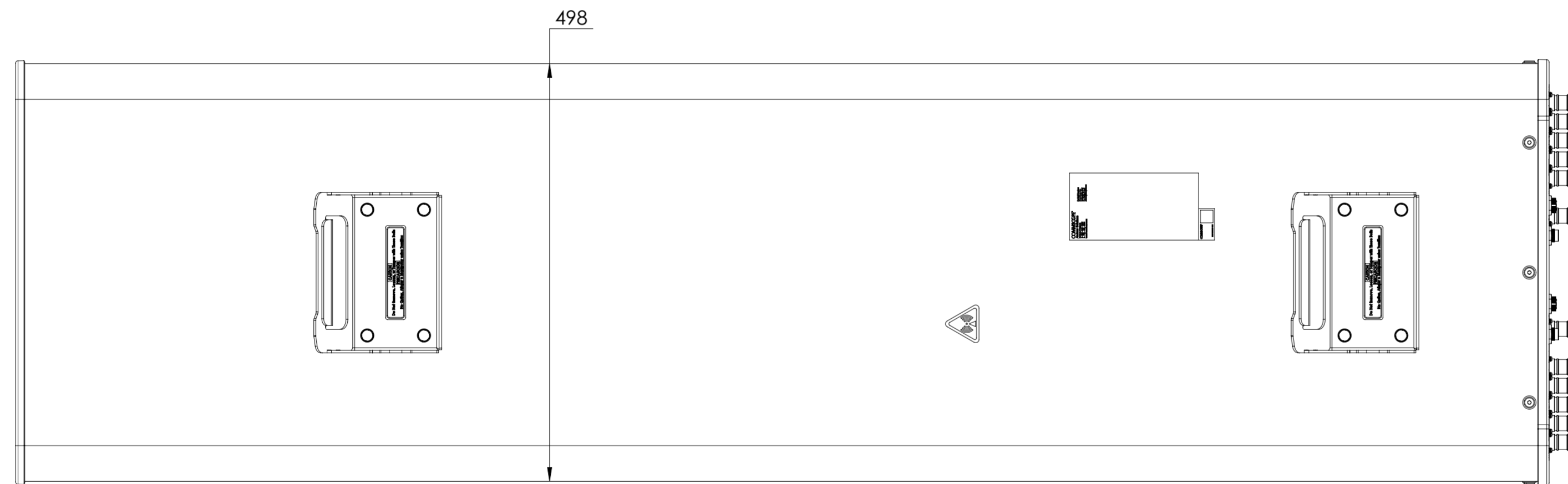
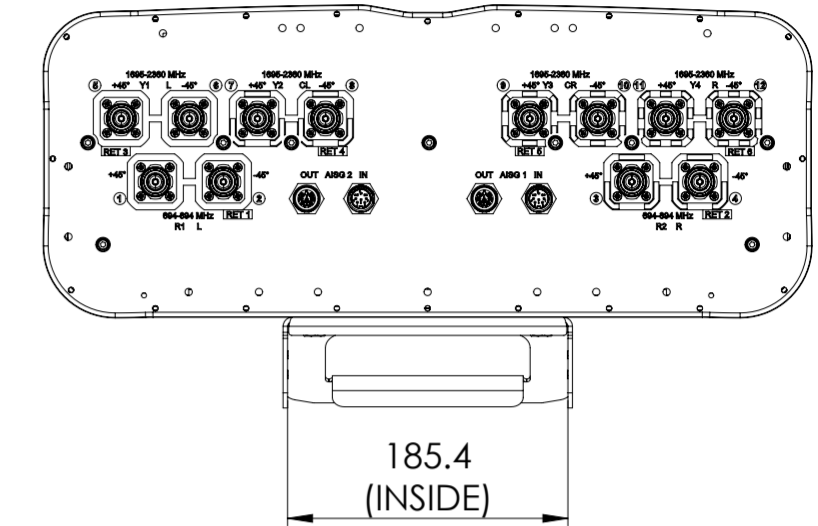
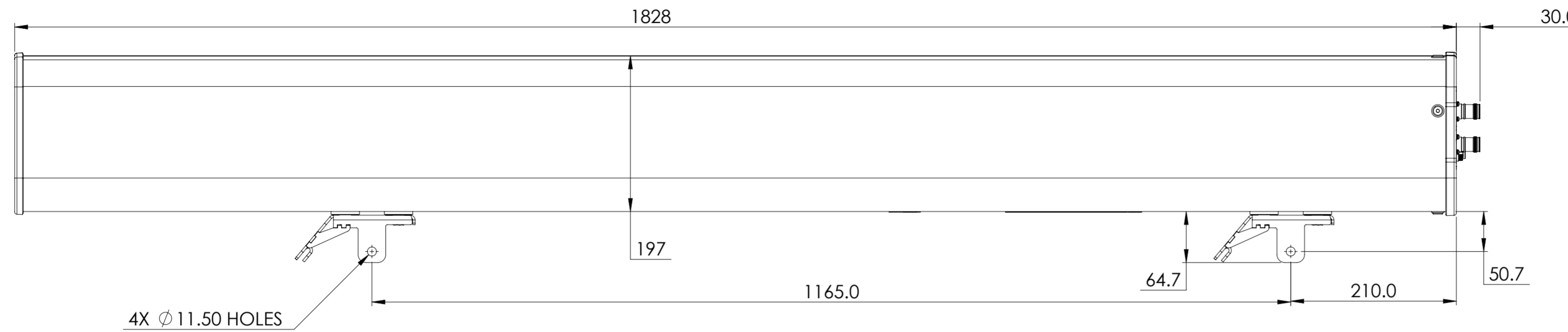


REVISIONS			
REV.	DESCRIPTION	DATE	APPROVED
A	ECR 8000038101: RELEASE TO PRODUCTION PER EAO 607146.	15MAY20 YWEI	LZL/LCL
B	ECR 15993PC: UPDATE THE DRAWING TO MATCH THE CAUTION LABEL.	06DEC21 YJP	PL.TANG/HANSEN.W
C	ECR40162047CMO: MODEL UPDATED	02DEC22 RL	RT/AA



NNH4-85B-R6

COMMSCOPE, INC. OF NORTH CAROLINA											
TOLERANCES						SAP MATERIAL MASTER					
0 PLACE X ±			2 PLACE .XX ±			1 PLACE .X ±			ANGLES ±		
FINISH						MATERIAL					
PRODUCT DRAWING											
SCALE: 1:5 DOCUMENT NO. NNH4-85B-R6-L											
ECN 40162047CMO											
SIZE: A2			WORK AREA		BSA		MODEL		DRAWING		SHEET
							VERSION: 02		STATUS: RE		REVISION: C
							VERSION: 02		STATUS: RE		REVISION: C
											1 OF 1

DENSITY	g/mm ³
MASS	grams
VOLUME	mm ³
SURFACE AREA	mm ²
HEIGHT	
LENGTH	
WIDTH	

© 2022 CommScope, Inc.

UNLESS OTHERWISE SPECIFIED DIMENSIONS ARE IN MILLIMETERS INTERPRET PER ISO STANDARDS HANDBOOK TECHNICAL DRAWINGS VOLUMES 1 & 2, THIRD EDITION (2002)