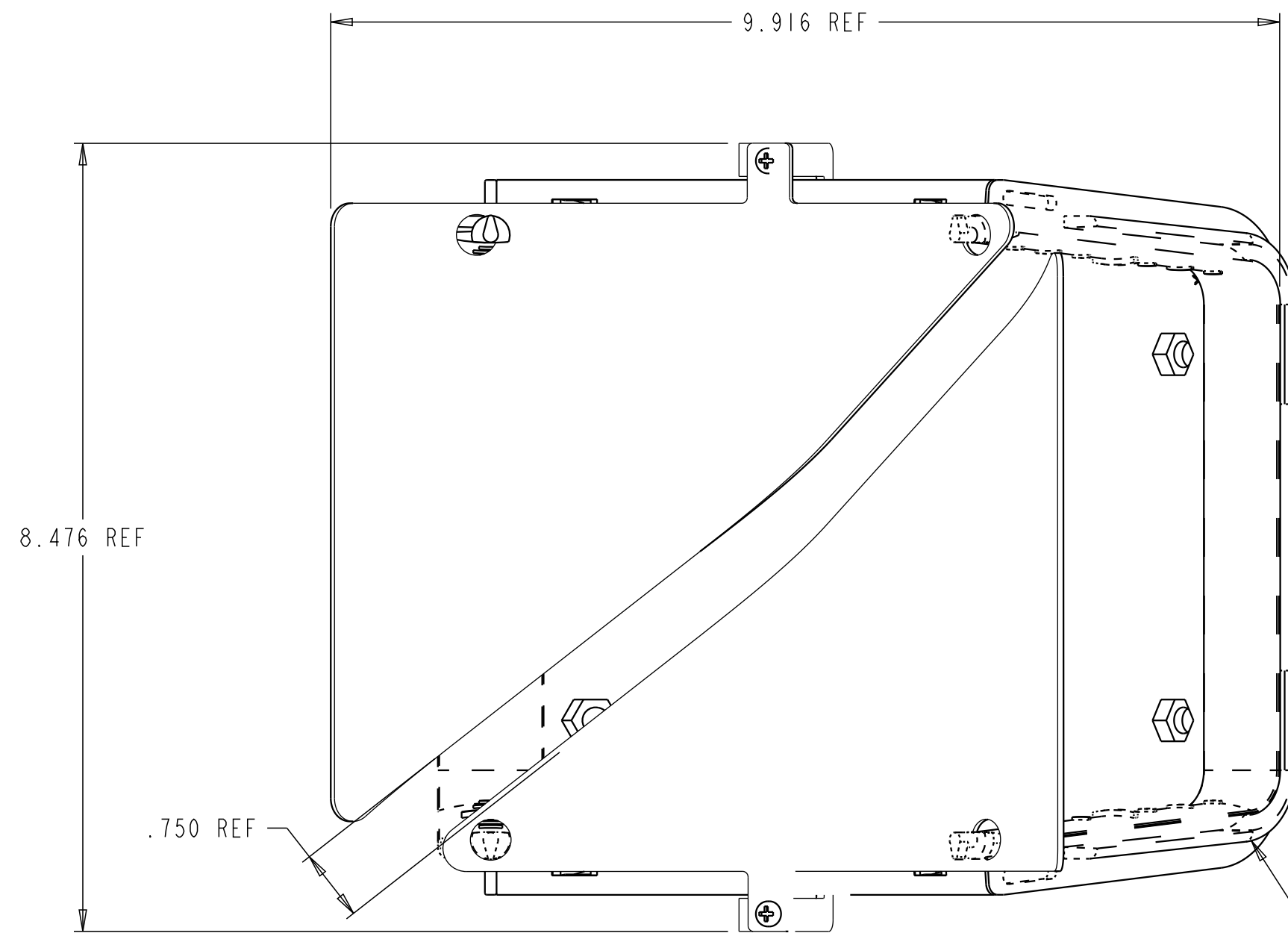
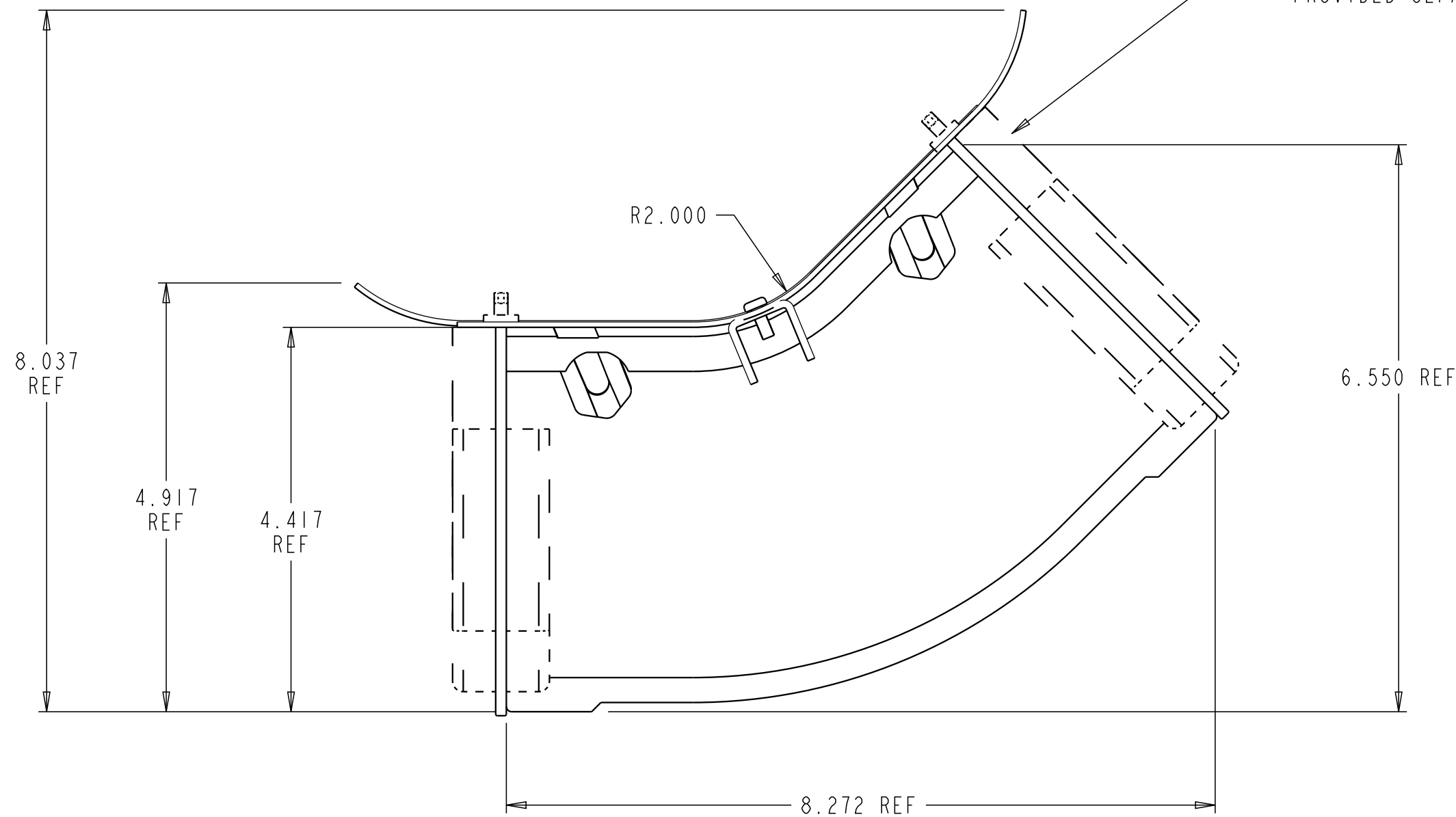


REV	MCO	DWN	DATE
B	20238208	OCM	21-APR-08
C	40032067MCO	OAVL	11-JUL-16



JUNCTION DETAIL  
 CATALOG NUMBER  
 FGS-MJWR-B  
 PROVIDED SEPARATELY



COMMSCOPE, INC.

© 2016 COMMSCOPE, INC. CONFIDENTIAL  
 NOTICE: THESE DRAWINGS AND SPECIFICATIONS  
 ARE THE PROPRIETARY PROPERTY OF  
 COMMSCOPE, INC. AND MAY BE USED ONLY FOR THE  
 SPECIFIC PURPOSE AUTHORIZED IN WRITING BY  
 COMMSCOPE, INC.

ALL DIMS AND TOLERANCES .XX:±N/A  
 ARE INCHES UNLESS .XXX:±N/A  
 OTHERWISE SPECIFIED ANGULAR:±N/A

DO NOT SCALE DRAWING

ENGR: R. HENNEBERGER  
 DWN: D. CARPENTER

FGSB-MU4E-B	BLACK
FGS-MU4E-B	YELLOW
<b>CATALOG NUMBER</b>	<b>COLOR</b>

TITLE FIBERGUIDES  
 COVER 4X6 45° UP  
 INSTALLATION DRAWING

DRAWING NUMBER 4-29000-2458

SHT. 1 OF 1



**DIMENSIONS IN INCHES  
 THIRD ANGLE PROJECTION**