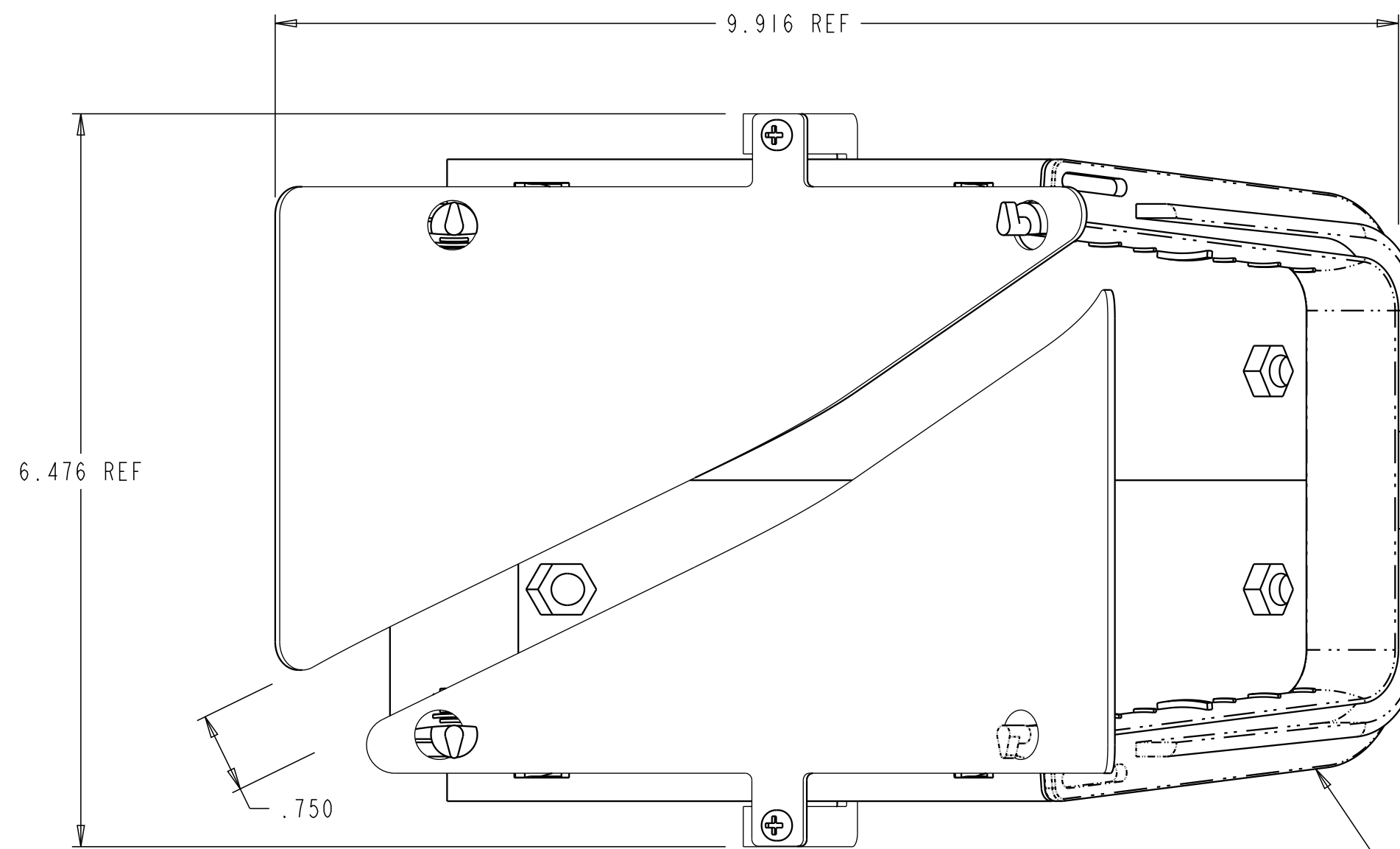
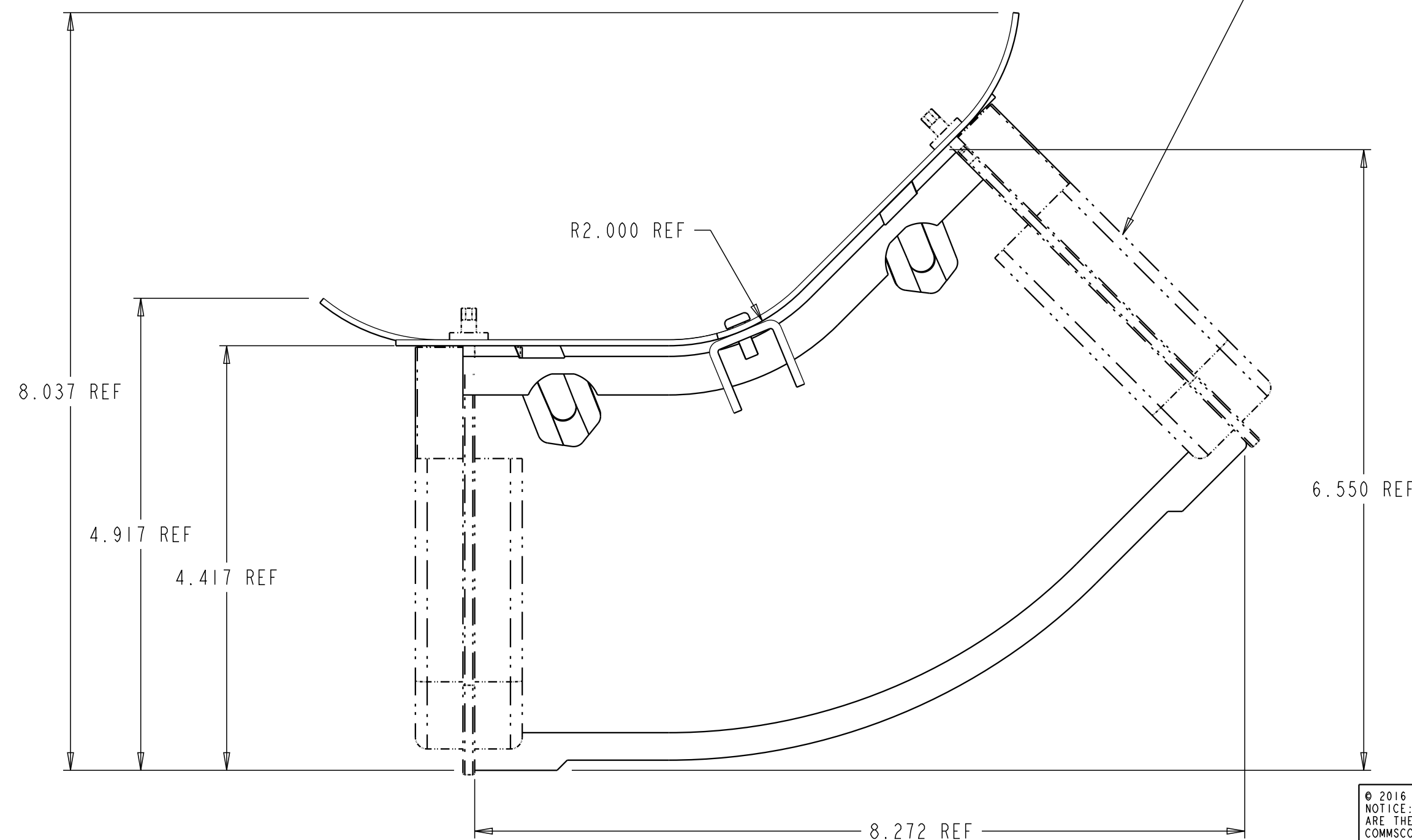


REV	MCO	DWN	DATE
B	20237120	OCM	04-APR-08
C	40032067MCO	OAVL	08-JUL-16



JUNCTION DETAIL
 CATALOG NUMBER
 FGS-MJWR-A
 PROVIDED SEPARATELY



COMMSCOPE, INC.

© 2016 COMMSCOPE, INC. CONFIDENTIAL
 NOTICE: THESE DRAWINGS AND SPECIFICATIONS
 ARE THE PROPRIETARY PROPERTY OF
 COMMSCOPE, INC. AND MAY BE USED ONLY FOR THE
 SPECIFIC PURPOSE AUTHORIZED IN WRITING BY
 COMMSCOPE, INC.

ALL DIMS AND TOLERANCES .XX:±N/A
 ARE INCHES UNLESS .XXX:±N/A
 OTHERWISE SPECIFIED ANGULAR:±N/A

DO NOT SCALE DRAWING

ENGR: R. HENNEBERGER
 DWN: D. CARPENTER

FGSB-MU4E-A	BLACK
FGS-MU4E-A	YELLOW
CATALOG NUMBER	COLOR

TITLE FIBERGUIDES
 COVERED 4X4 45° UP
 INSTALLATION DRAWING

DRAWING NUMBER 4-29000-2448

SHT. 1 OF 1

DIMENSIONS IN INCHES
 THIRD ANGLE PROJECTION