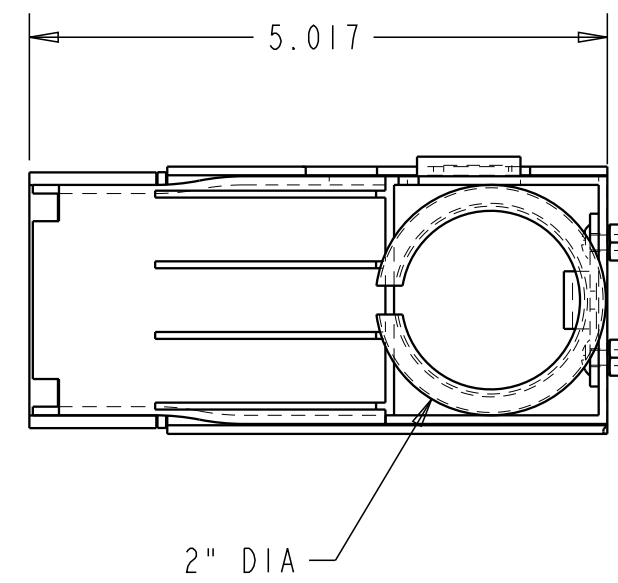
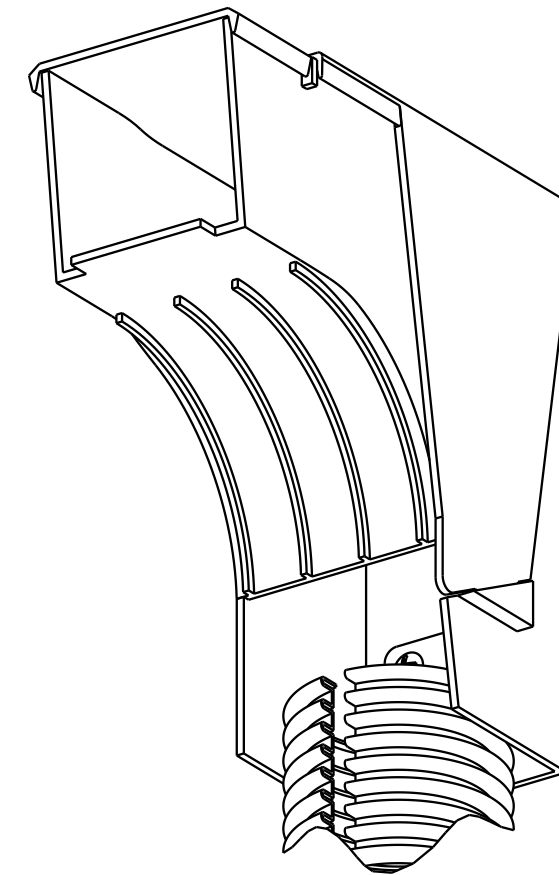
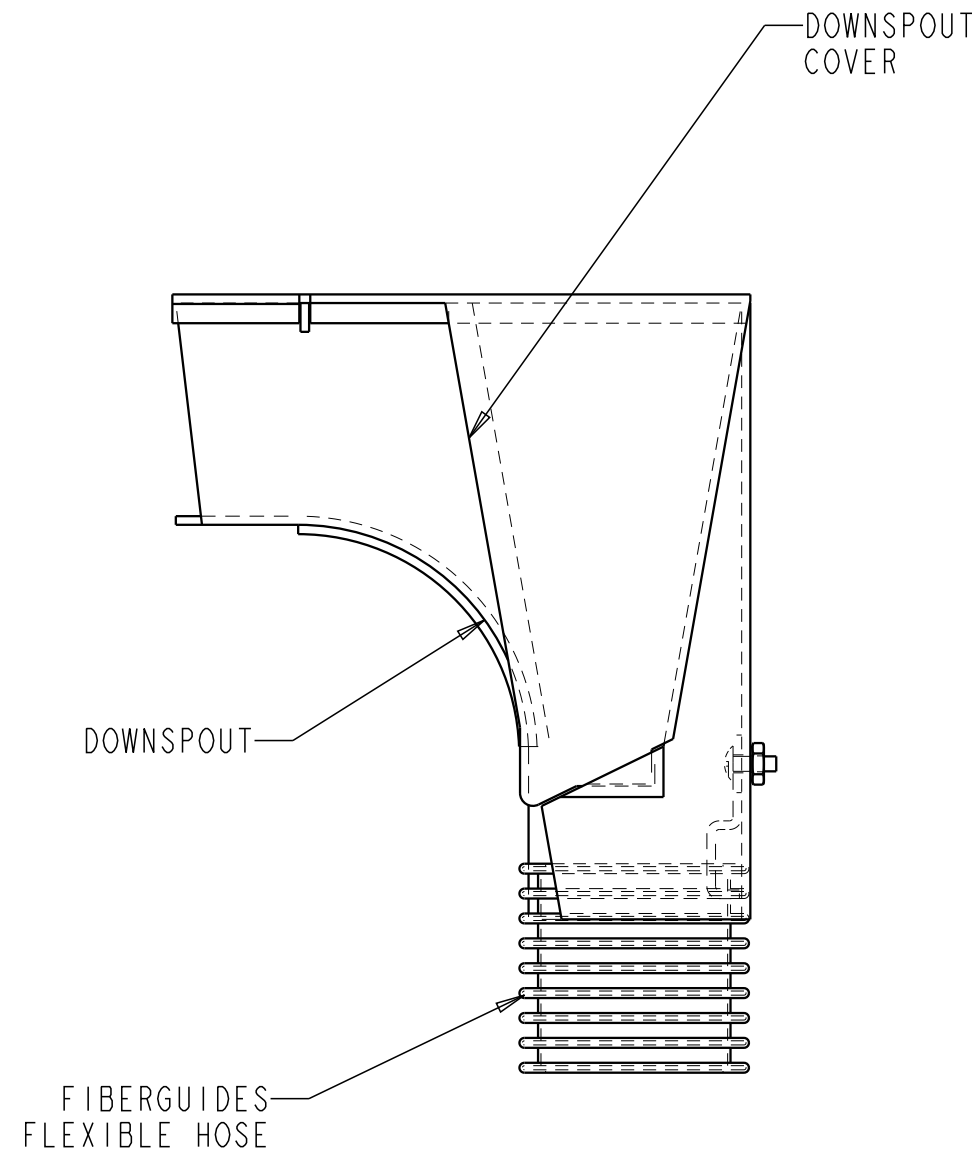
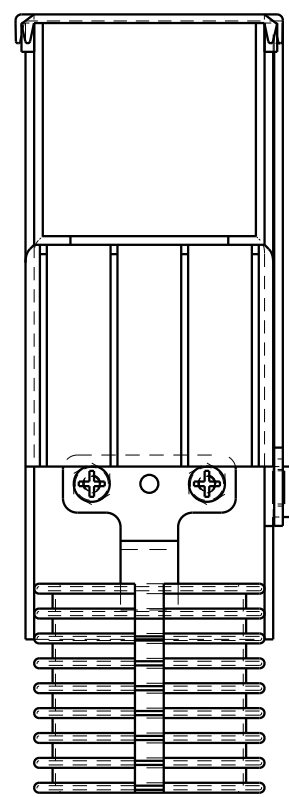


REV.	MCO	DWN	DATE
D	20261832	JSL	31-MAR-09
E	40031893MCO	OAVL	30-JUN-16



FGSB-KDH5-C	5 FT	BLACK
FGSB-KDH2-C	2 FT	BLACK
FGS-KDH2-C	2 FT	YELLOW
FGS-KDH5-C	5 FT	YELLOW
CATALOG NO.	LENGTH HOSE	COLOR

© 2016 COMMSCOPE, INC. CONFIDENTIAL
 NOTICE: THESE DRAWINGS AND SPECIFICATIONS
 ARE THE PROPRIETARY PROPERTY OF
 COMMSCOPE, INC. AND MAY BE USED ONLY FOR THE
 SPECIFIC PURPOSE AUTHORIZED IN WRITING BY
 COMMSCOPE, INC.

TITLE: FIBERGUIDES
 DOWNSPOUT W/HOSE
 (INSTALLATION DRAWING)

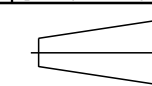
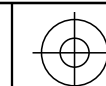
ALL DIMS AND TOLERANCES .XX:±REF
 ARE INCHES UNLESS .XXX:±REF
 OTHERWISE SPECIFIED ANGULAR:±REF

DRAWING NUMBER: 4-29000-3241
 SIZE: C
 ENGR: ROY HENNEBERGER
 DWN: T. REDMANN

COMMSCOPE, INC.

DO NOT SCALE DRAWING

SHT. 1 OF 1



DIMENSIONS IN INCHES
 THIRD ANGLE PROJECTION