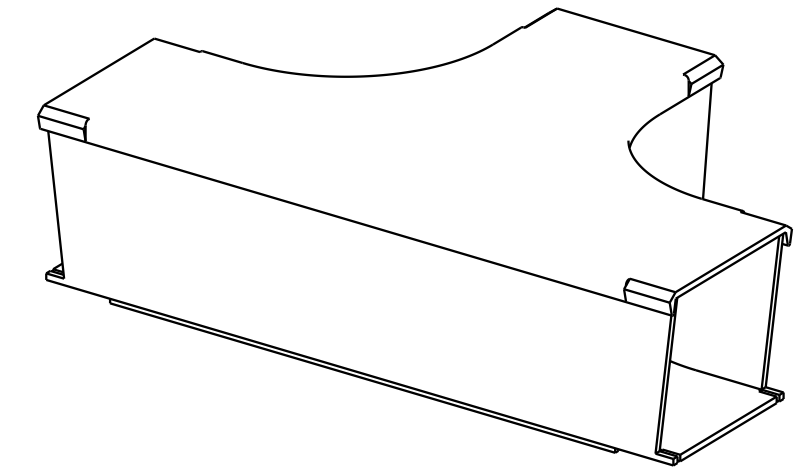
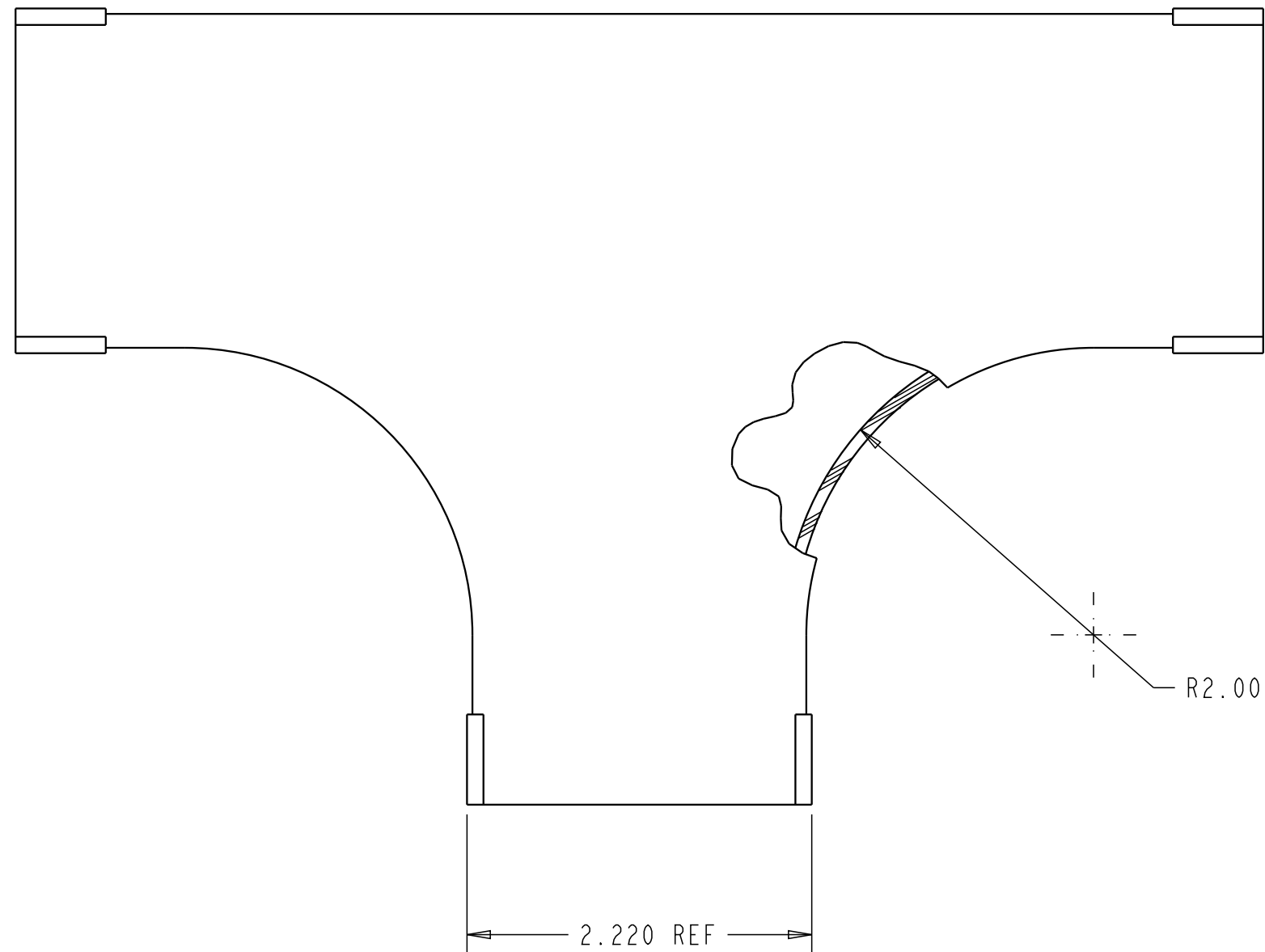
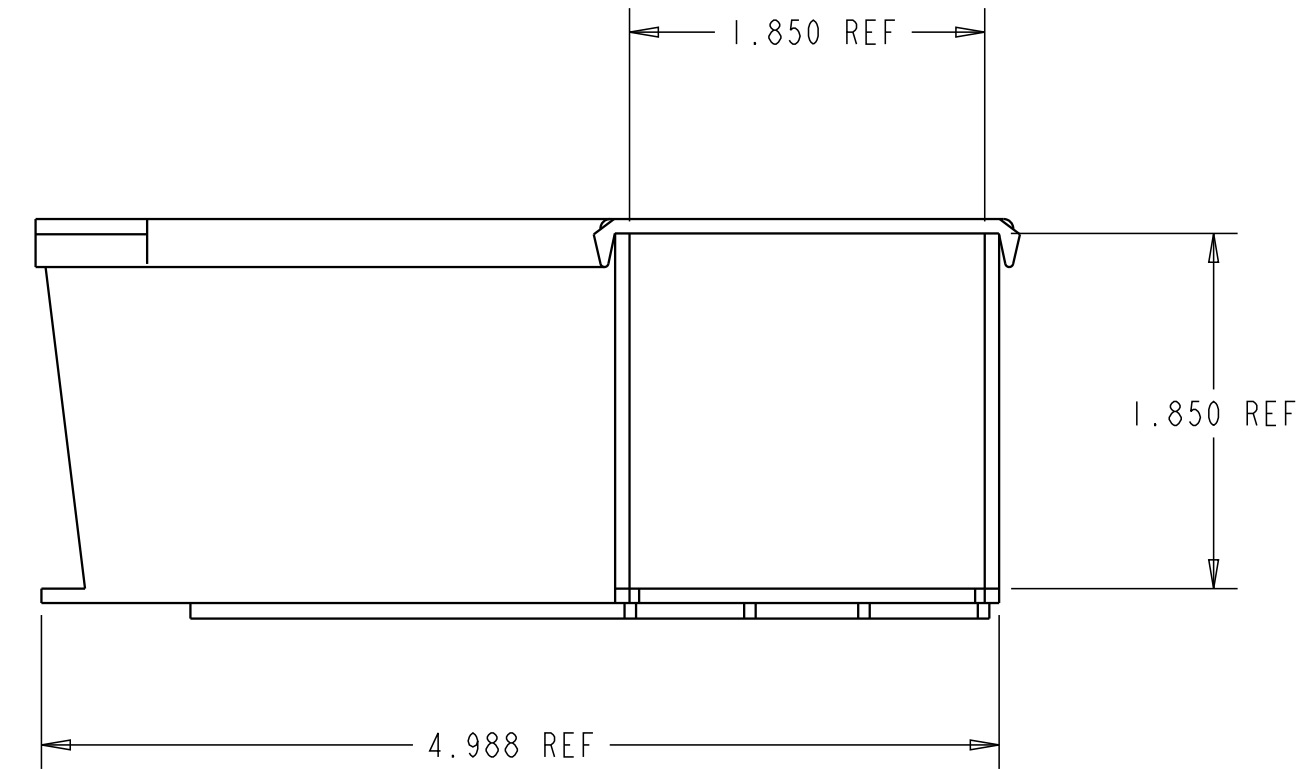
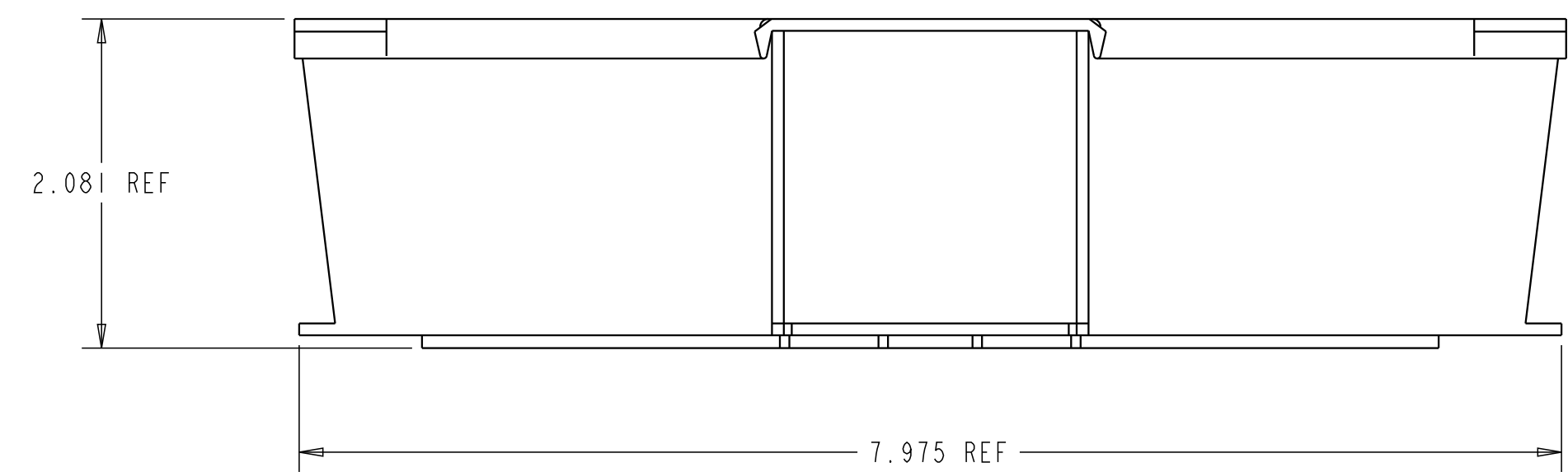


| REV. | MCO | DWN | DATE |
|------|-------------|------|-----------|
| C | 20239114 | AED | 01-MAY-08 |
| D | 40031893MCO | OAVL | 30-JUN-16 |



SCALE 0.500



NOTES:

1. MATERIAL IS SELF EXTINGUISHING WITH A UL 94 TATING OF V-0.

COMMSCOPE, INC.

| | |
|--------------------|--------------|
| FGSB-MHTA-C | BLACK |
| FGS-MHTA-C | YELLOW |
| CATALOG NO. | COLOR |

| | | |
|--|--|---|
| <small>© 2016 COMMSCOPE, INC. CONFIDENTIAL NOTICE: THESE DRAWINGS AND SPECIFICATIONS ARE THE PROPRIETARY PROPERTY OF COMMSCOPE, INC. AND MAY BE USED ONLY FOR THE SPECIFIC PURPOSE AUTHORIZED IN WRITING BY COMMSCOPE, INC.</small> | <small>TITLE</small> FIBERGUIDES COVERED HORIZONTAL "T" INSTALLATION DRAWING | |
| | <small>ALL DIMS AND TOLERANCES .XX:±N/A ARE INCHES UNLESS .XXX:±N/A OTHERWISE SPECIFIED ANGULAR:±N/A</small> | <small>DRAWING NUMBER</small> 4-29000-3028 |
| <small>DO NOT SCALE DRAWING</small> | <small>ENGR: R. HENNEBERGER DWN: D. CARPENTER</small> | <small>SHT. 1 OF 1</small> |

**DIMENSIONS IN INCHES
 THIRD ANGLE PROJECTION**