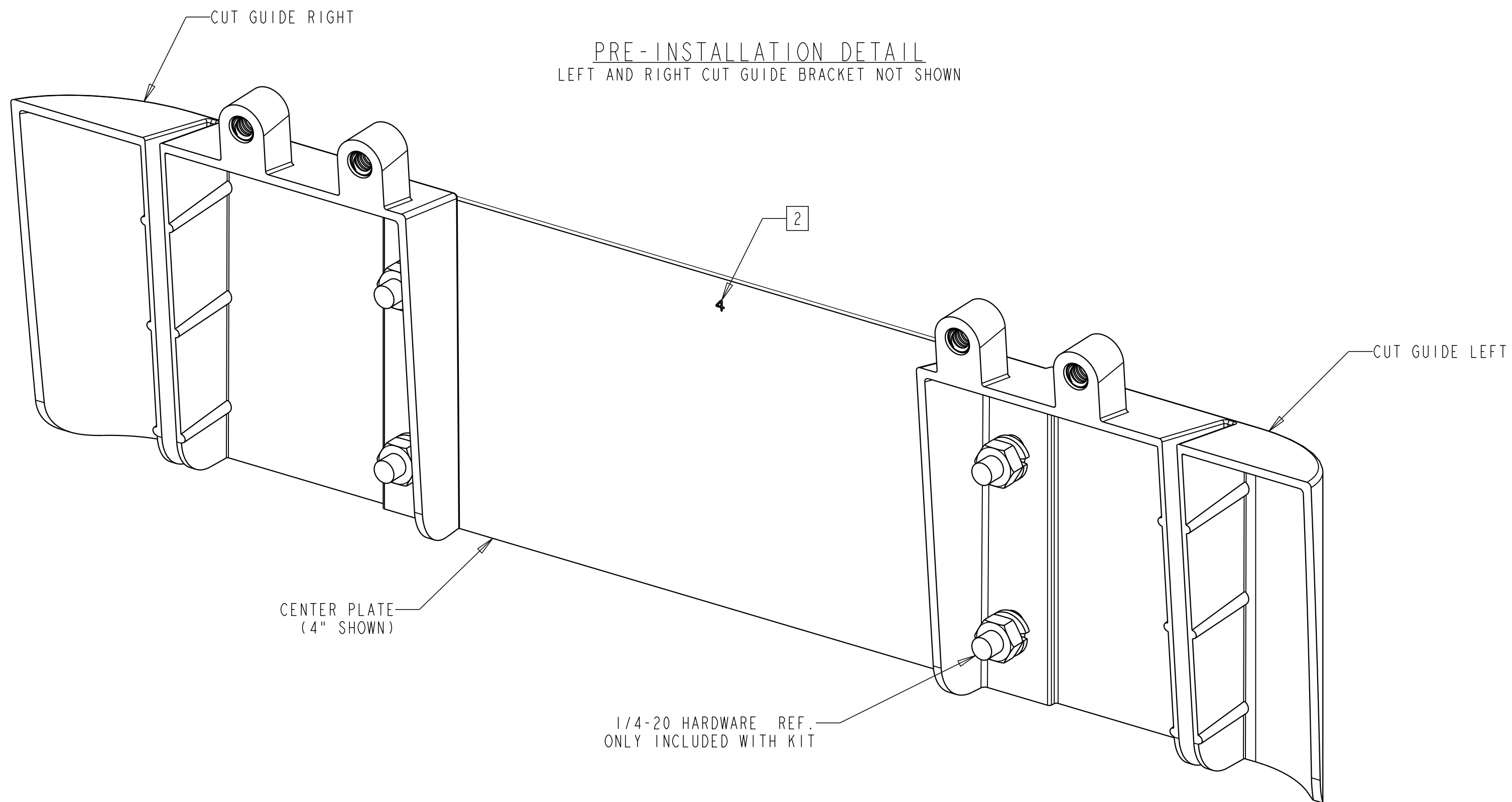


REV.	MCO	DWN	DATE
D	40017421MCO	OAVL	05-FEB-15
E	40032679MCO	IAV	03-AUG-16



NOTES:

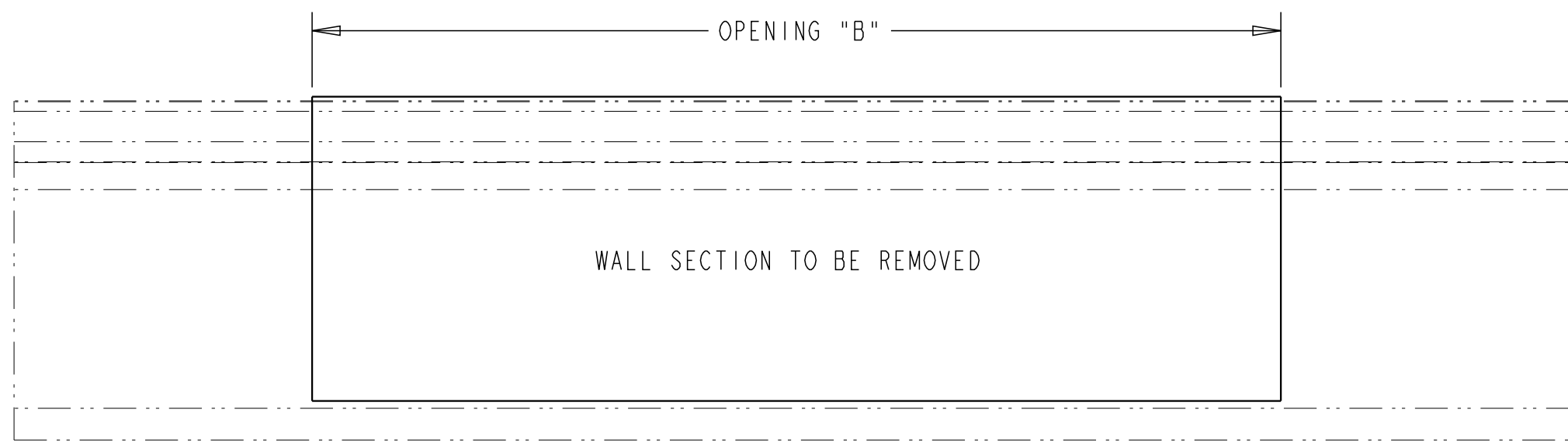
- 1 KIT CONTAINS: RIGHT & LEFT CUT IN GUIDES, (3) CENTER PLATES, RIGHT & LEFT CUT IN BRACKETS, (4 EA.) MOUNTING HARDWARE.
- 2 PRIOR TO INSTALLATION, SELECT AND INSTALL THE APPROPRIATE CENTER PLATE BASED FITTING SIZE. NOTE THE NUMBER STAMPED ON THE CENTER PLATE, MATCHES THE FITTING TROUGH SIZE. THE NUMBER (4, 6 OR 12) MUST BE ORIENTATED TO THE TOP FOR PROPER FIT WHEN INSTALLED IN THE TROUGH.
- 3 LAYOUT AREA TO BE REMOVED, "OPENING B" DIMENSION IS LOCATED ON THE INSTALLATION DRAWING. MARK THE CUT WIDTH ON THE UPPER PORTION OF THE TROUGH, TO AID IN ALIGNING CUT IN JIG.
- 4 INSTALL CUT IN JIG INTO THE INTERIOR OF THE TROUGH. "CAUTION" WITH FIBERS, MAY HAVE "LIVE" TRAFFIC. INSTALL LEFT AND RIGHT CUT IN BRACKETS AND LOOSELY ATTACH TO INTERIOR JIG WITH CAPTIVE HARDWARE.
- 5 WITH FIXTURE CORRECTLY ALIGNED AND SECURE, MAKE A VERTICAL CUT WITH A HACKSAW ON THE OUTER EXTERIOR EDGES OF EACH CUT IN FIXTURE BRACKET. "CAUTION" CUT SHOULD GO NO FURTHER THAN THE BLADE STOP EDGES.
- 6 WITH VERTICAL CUTS COMPLETE, TAKING APPROPRIATE CAUTION WITH FIBERS, REMOVE CUT IN JIG. SCORE, WITH A UTILITY KNIFE 10 TIMES ALONG THE HORIZONTAL EDGE, CUT SHOULD BE FLUSH TO THE EXTERIOR SURFACE OF THE "T" RAIL CHANNEL ON BACK.

COMMSCOPE, INC.

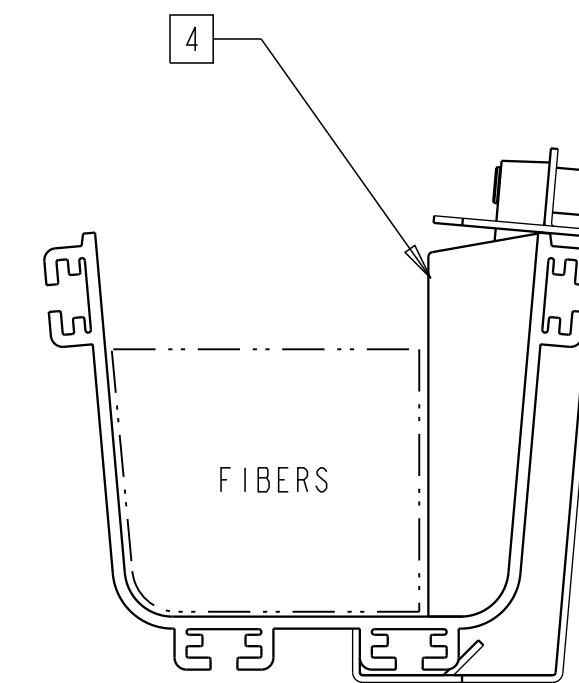
CATALOG NUMBER FGS-MHIS-JIG-A/B/F

© 2016 COMMSCOPE, INC. CONFIDENTIAL NOTICE: THESE DRAWINGS AND SPECIFICATIONS ARE THE PROPRIETARY PROPERTY OF COMMSCOPE, INC. AND MAY BE USED ONLY FOR THE SPECIFIC PURPOSE AUTHORIZED IN WRITING BY COMMSCOPE, INC.		TITLE HORZ CUT IN 4X4, 4X6, 4X12 INST DWG	
ALL DIMS AND TOLERANCES ARE INCHES UNLESS OTHERWISE SPECIFIED	.XX:±N/A .XXX:±N/A ANGULAR:±N/A	C SIZE	DRAWING NUMBER 1123355_ADC
DO NOT SCALE DRAWING		ENGR: DEREK SAYRES DWN: DEREK SAYRES	E REV
		SHT. 1 OF 2	

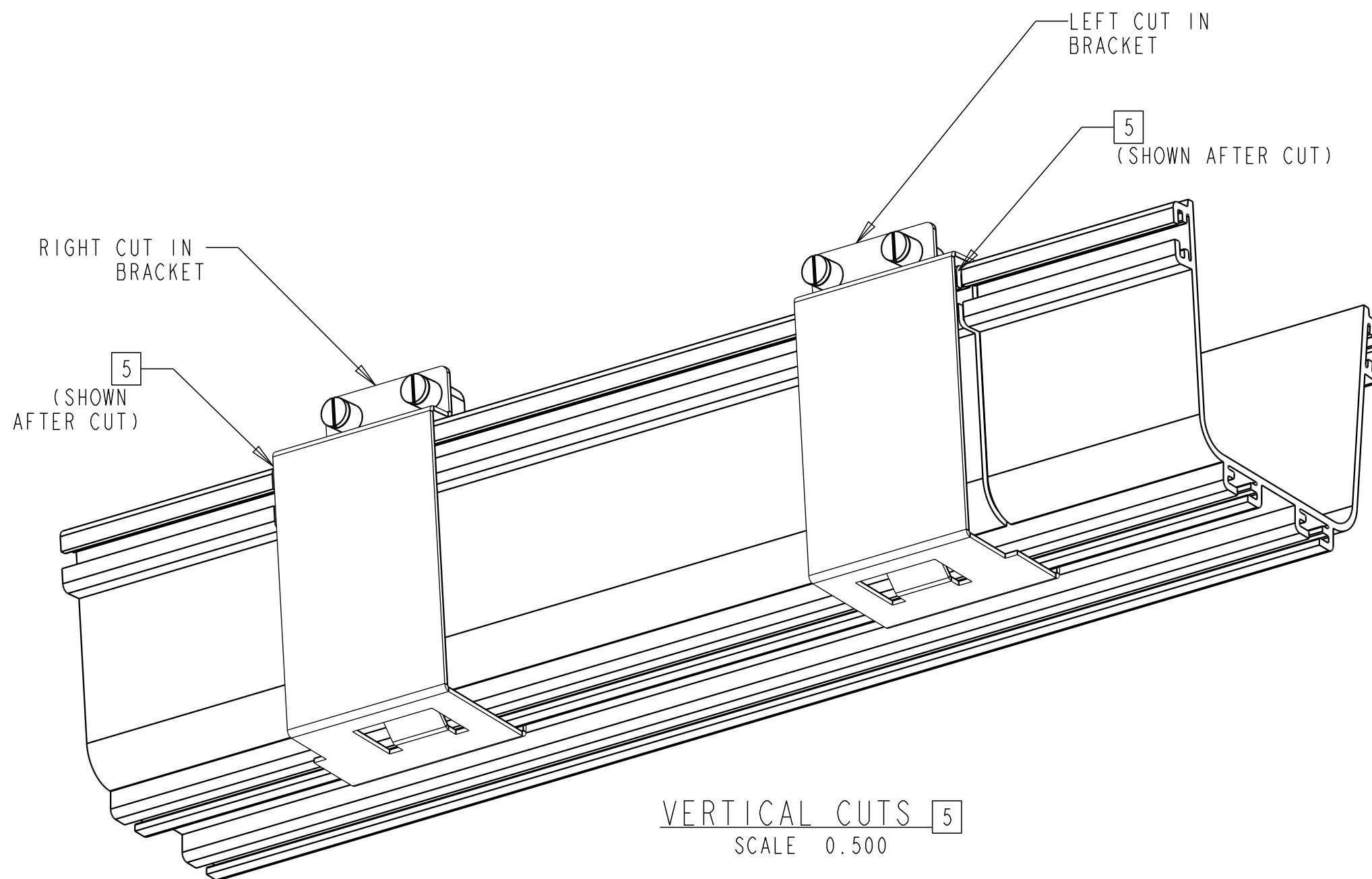
DIMENSIONS IN INCHES
THIRD ANGLE PROJECTION



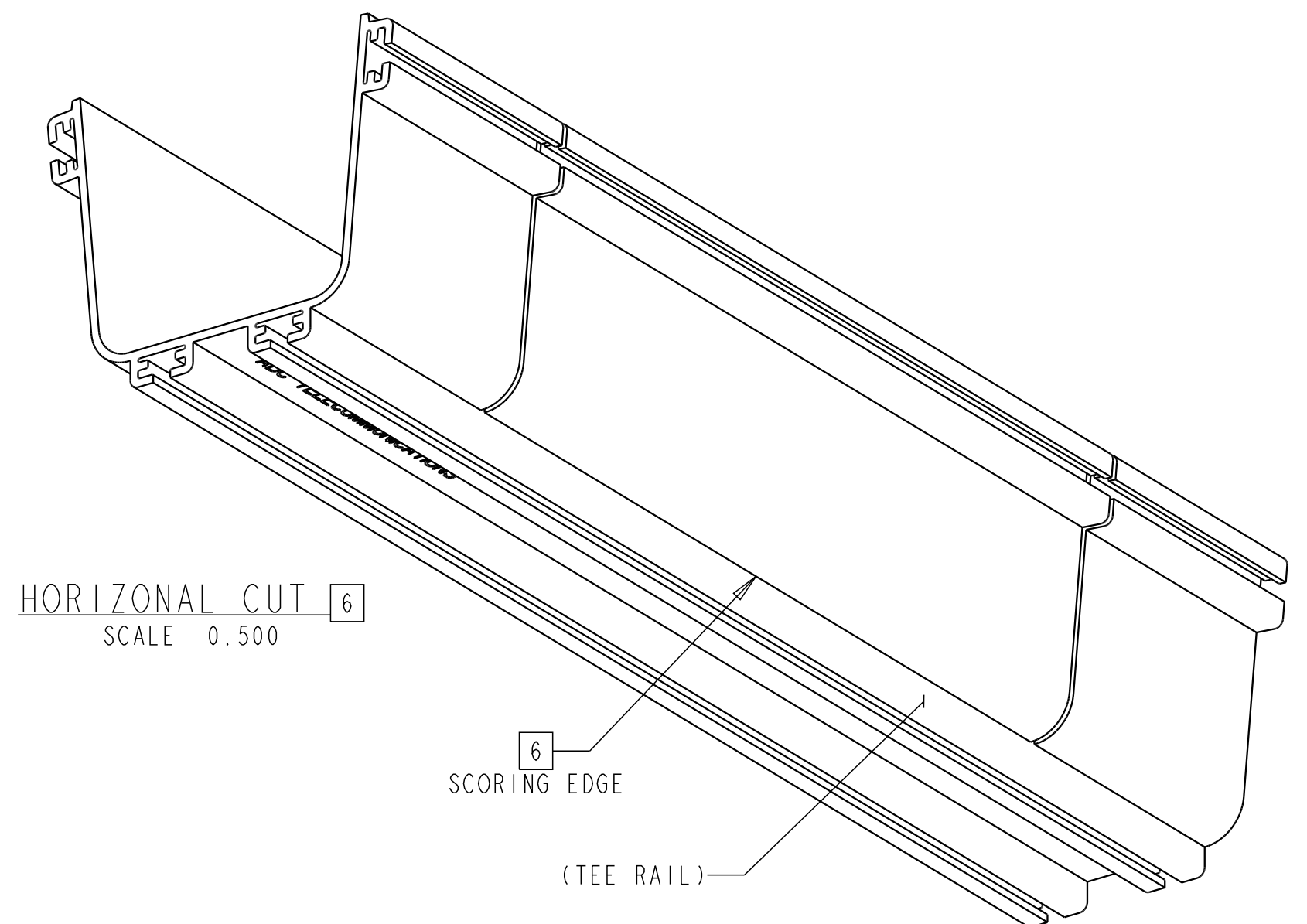
WALL SECTION LAYOUT 3
SCALE 0.500



FIXTURE INSTALLATION 4
SCALE 0.500



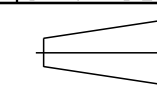
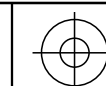
VERTICAL CUTS 5
SCALE 0.500



HORIZONTAL CUT 6
SCALE 0.500

COMMSCOPE, INC.

© 2016 COMMSCOPE, INC. CONFIDENTIAL NOTICE: THESE DRAWINGS AND SPECIFICATIONS ARE THE PROPRIETARY PROPERTY OF COMMSCOPE, INC. AND MAY BE USED ONLY FOR THE SPECIFIC PURPOSE AUTHORIZED IN WRITING BY COMMSCOPE, INC.		TITLE HORZ CUT IN 4X4, 4X6, 4X12 INST DWG	
ALL DIMS AND TOLERANCES ARE INCHES UNLESS OTHERWISE SPECIFIED	.XX:±N/A .XXX:±N/A ANGULAR:±N/A	C SIZE	DRAWING NUMBER 1123355_ADC
DO NOT SCALE DRAWING	ENGR: DEREK SAYRES DWN: DEREK SAYRES	SHT. 2 OF 2	



DIMENSIONS IN INCHES
THIRD ANGLE PROJECTION