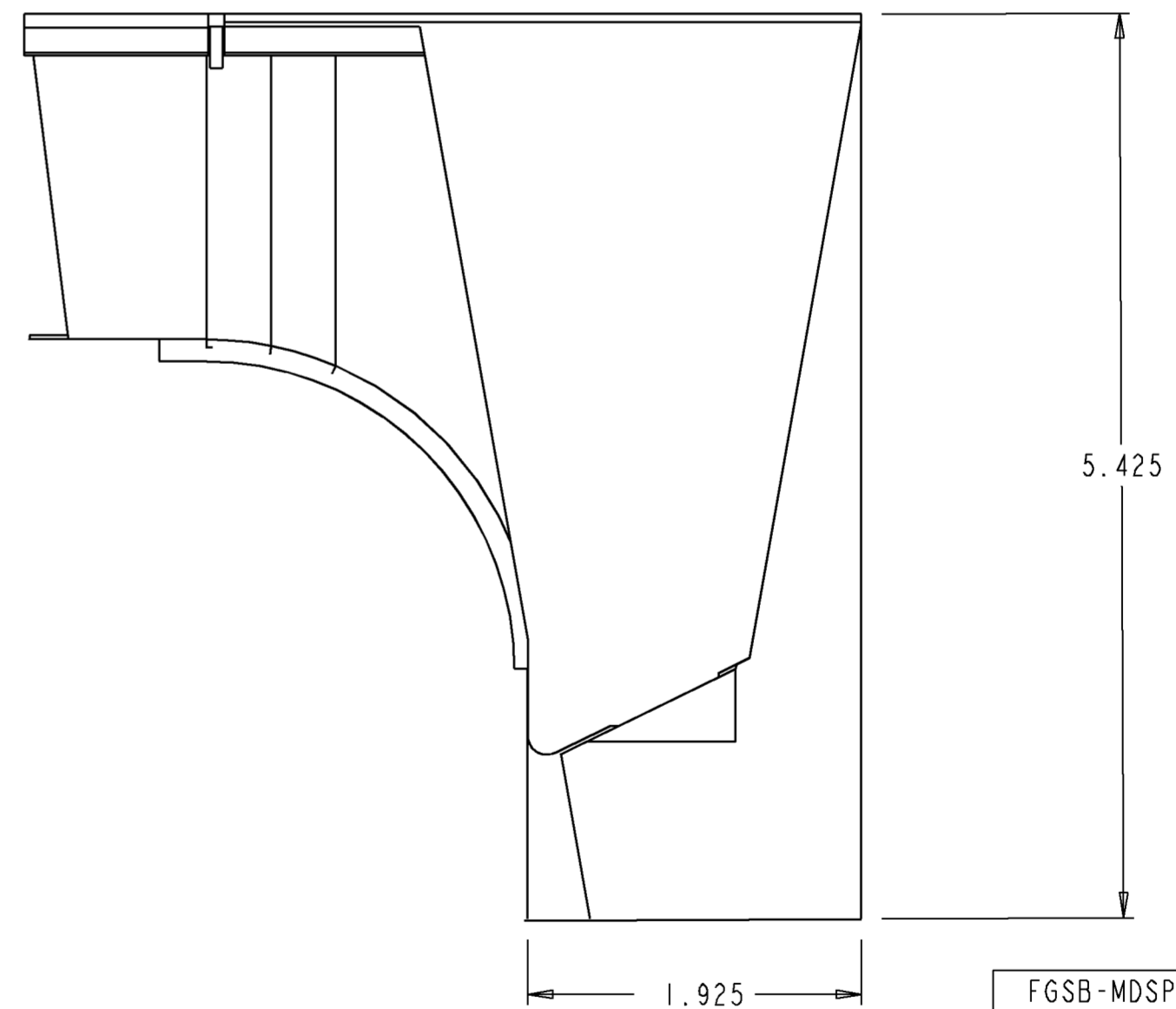
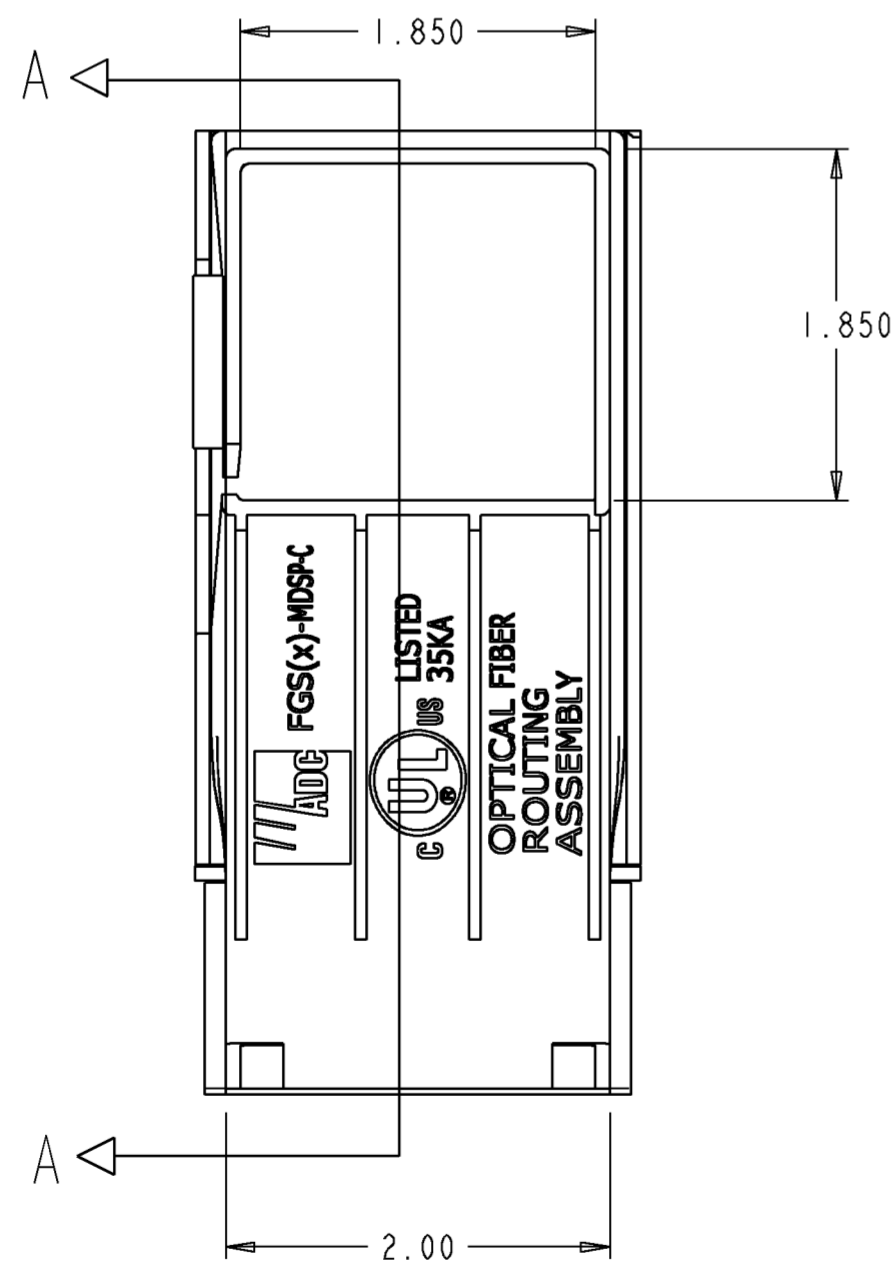
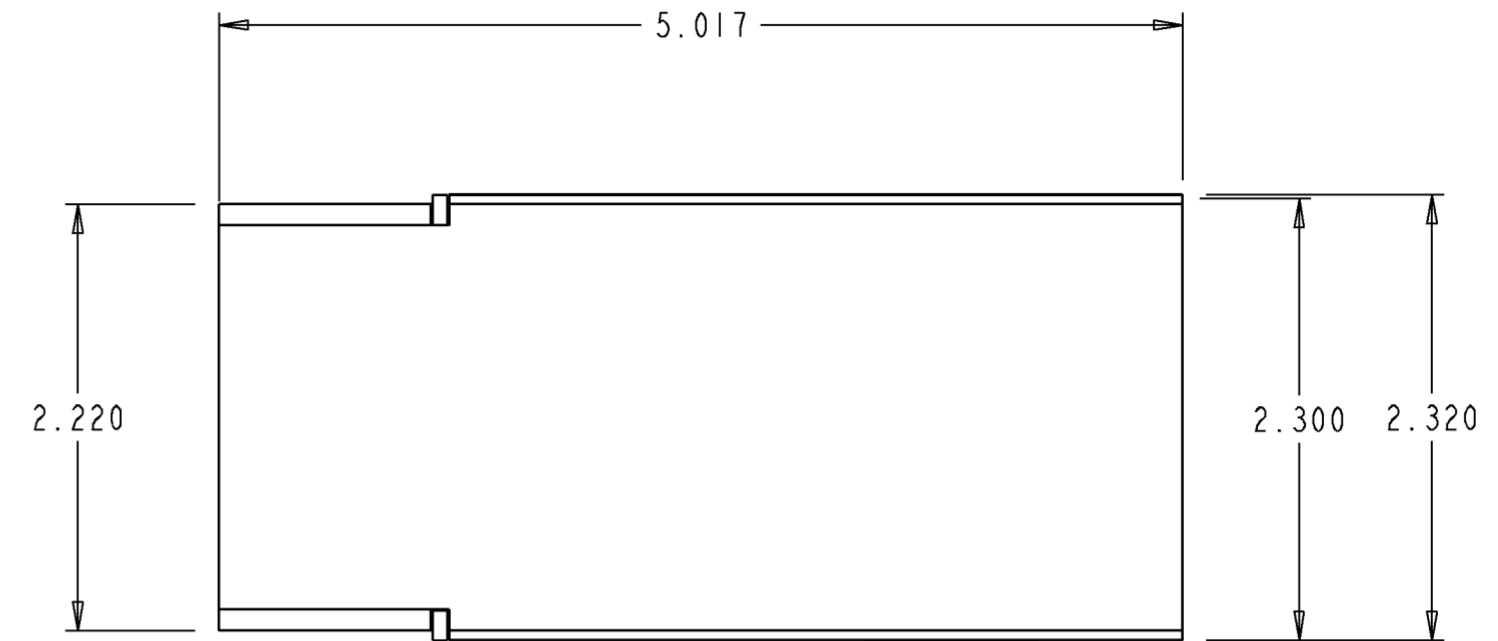
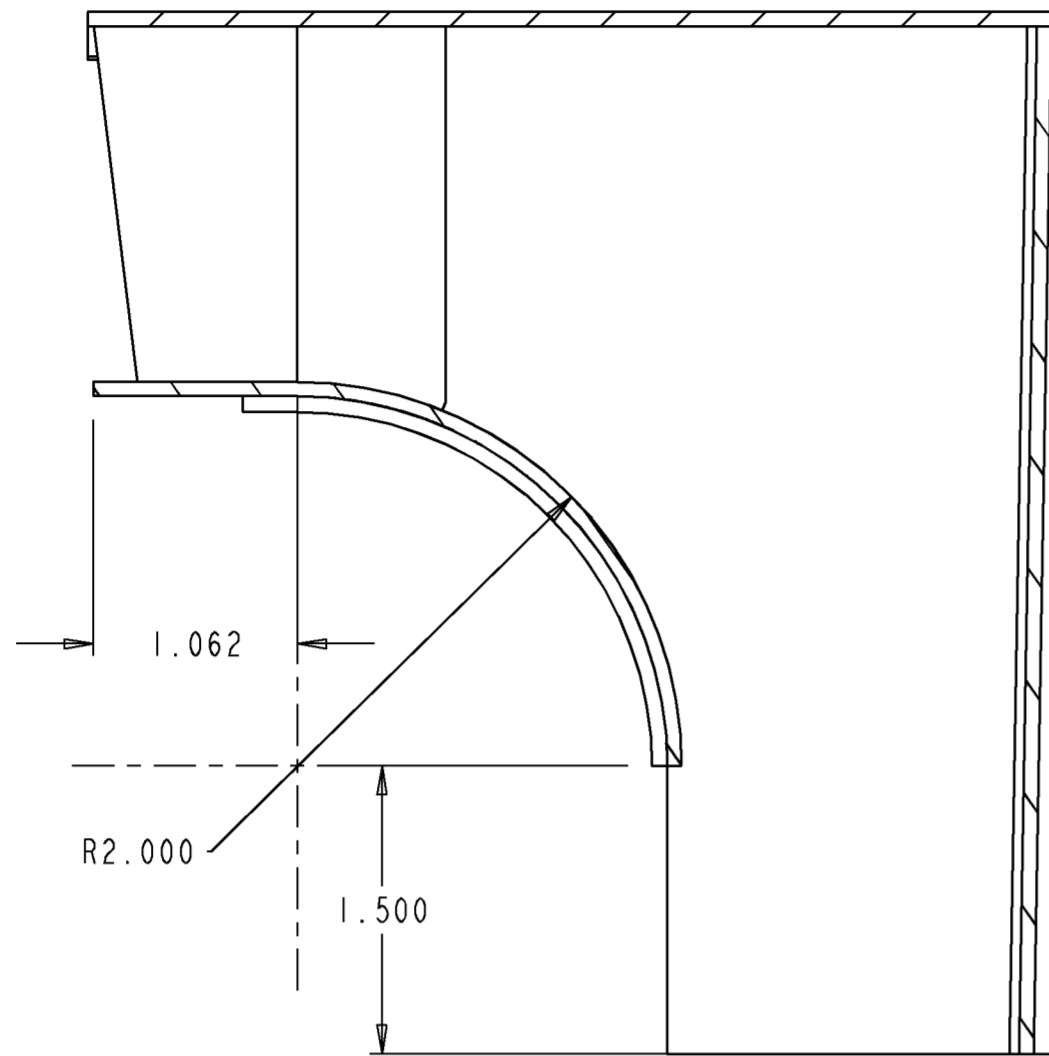


REV	MCO	DWN	DATE
A	96430	MV	03-04-92
B	20239670	AED	12-MAY-08



FGSB-MDSP-C	BLACK
FGSP-MDSP-C	PUTTY
FGSO-MDSP-C	ORANGE
FGS-MDSP-C	YELLOW
CATALOG NO.	COLOR

NOTES:

1. MATERIAL IS SELF EXTINGUISHING WITH A UL 94 RATING OF V-0.



INFORMATION ON THIS DOCUMENT IS PROPRIETARY TO ADC AND SHALL NOT BE USED, COPIED, REPRODUCED OR DISCLOSED IN WHOLE OR IN PART WITHOUT WRITTEN CONSENT OF ADC.

ALL DIMS AND TOLERANCES ARE INCHES UNLESS OTHERWISE SPECIFIED

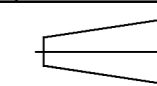
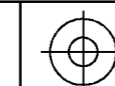
DO NOT SCALE DRAWING

TITLE
FIBERGUIDES
DOWNSPOUT
INSTALLATION DRAWING

DRAWING NUMBER
4-29000-3038

ENGR: R. HENNEBERGER
DWN: D. CARPENTER

SHT. 1 OF 1



**DIMENSIONS IN INCHES
THIRD ANGLE PROJECTION**