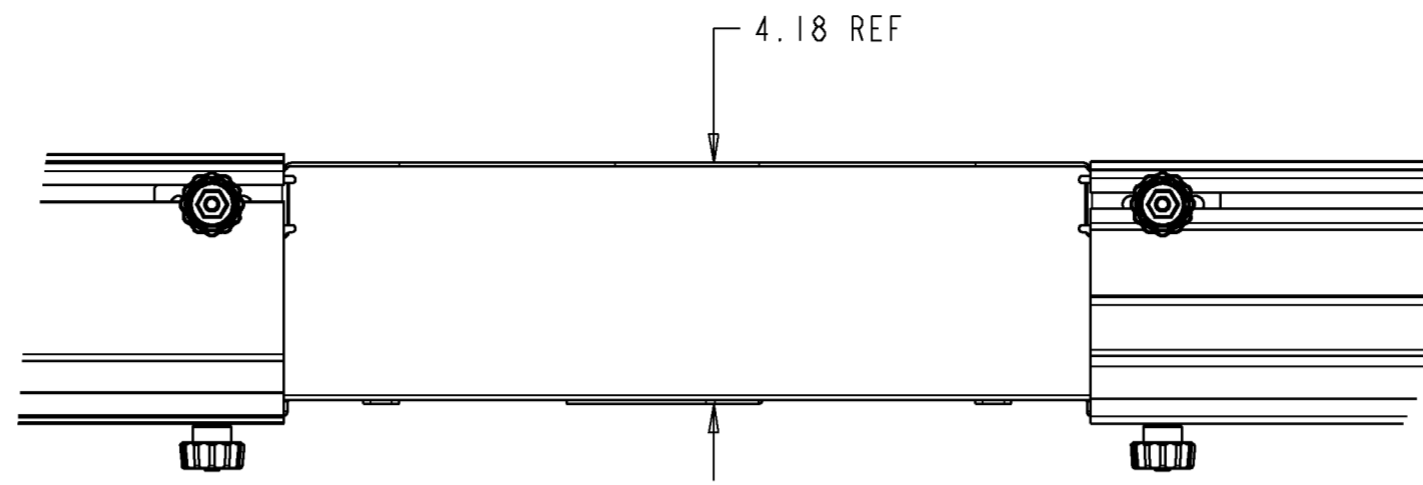
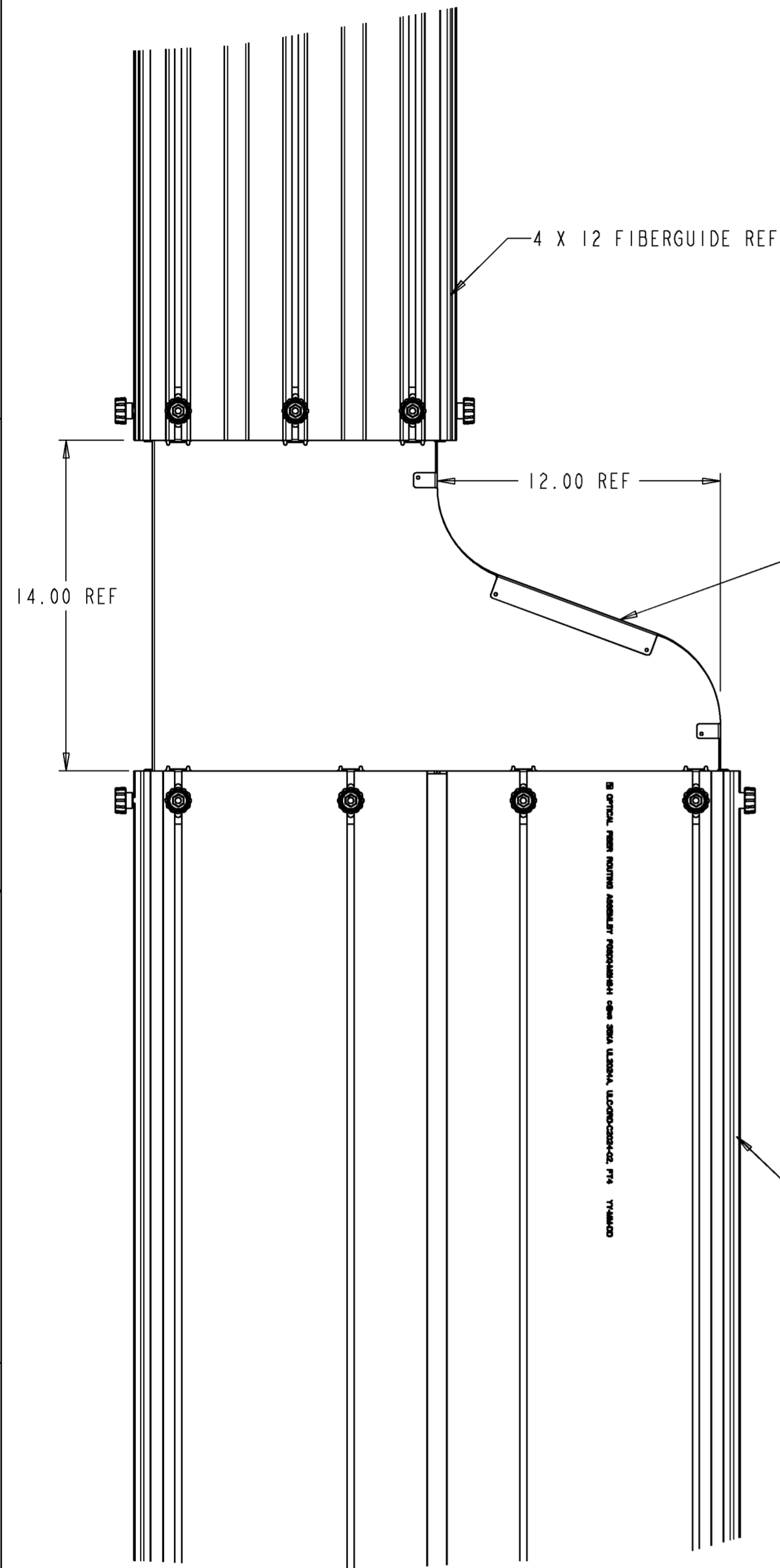
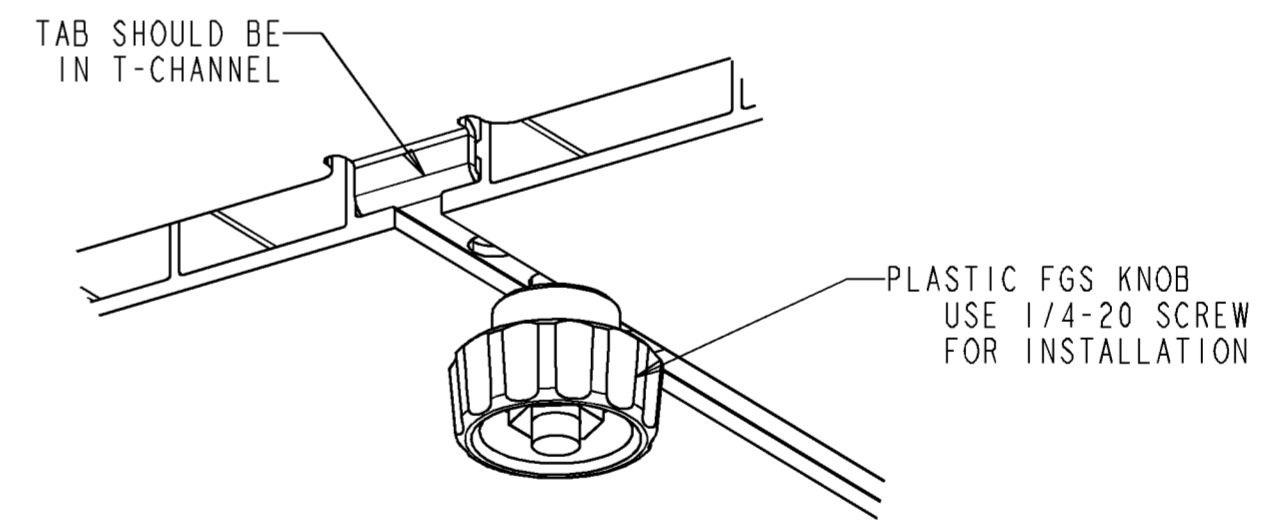
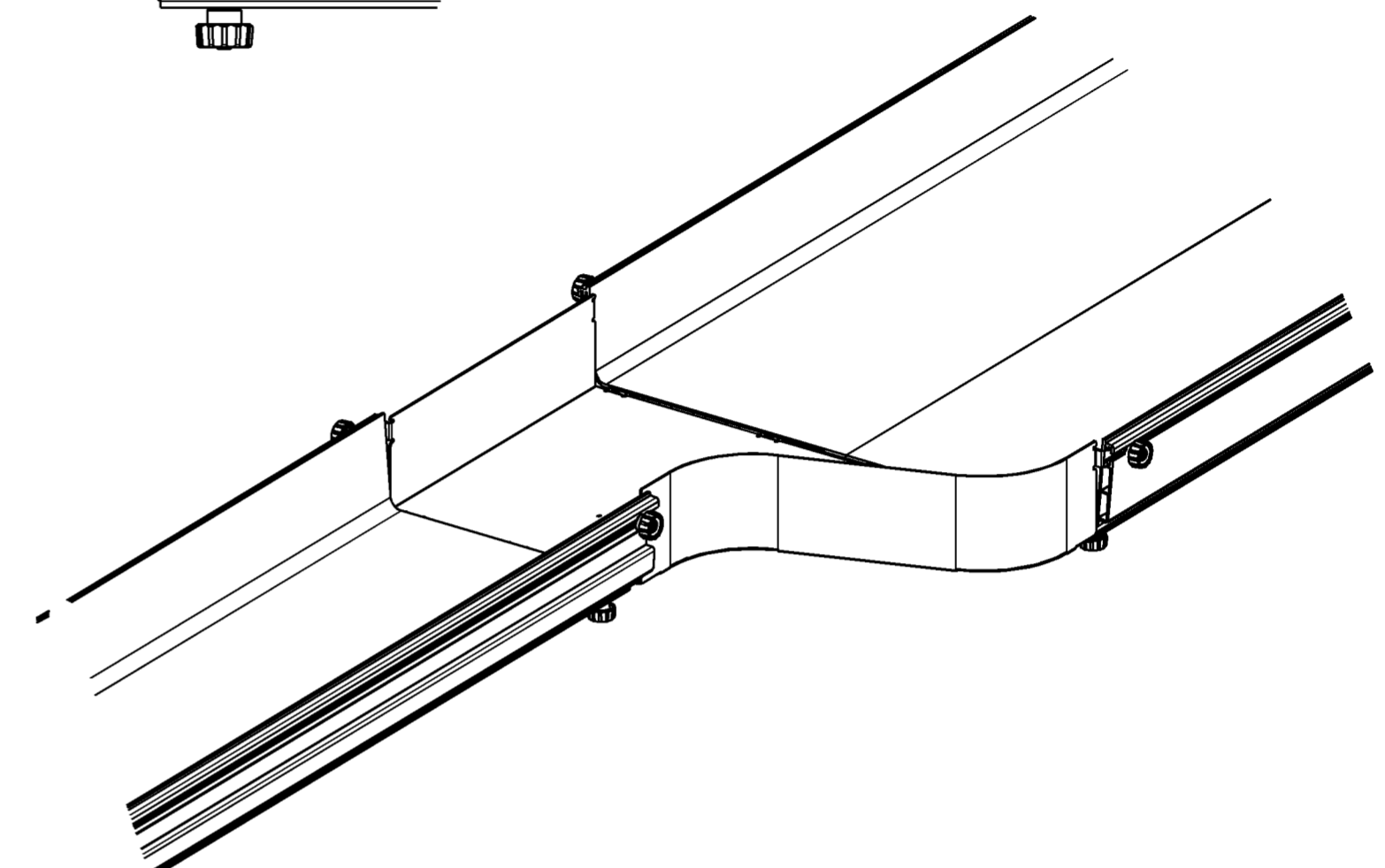


REV	MCO	DWN	DATE
A	20294511	EEG	08-SEP-10



**SIDE VIEW**  
SCALE 0.300



**PLASTIC FGS KNOB  
INSTALLATION**  
SCALE 1.000

**NOTES:**

1. PARTS INCLUDED WITH KIT ARE AS FOLLOW:  
 (I) ADAPTER  
 (II) PLASTIC FGS KNOB  
 (III) 1/4-20 SCREW

**ASSEMBLY INSTRUCTIONS:**

1. INSERT THE (III) 1/4-20 SCREWS INTO THE TAB HOLES ON THE ADAPTER, ONE SCREW PER TAB, WHIT THE SCREW HEADS ON THE INSIDE OF THE ADAPTER.
2. SLIDE THE TABS WHIT THE ASSEMBLED SCREW COMPLETELY INTO THE T-CANNELS ON THE 24" AND 12" FIBERGUIDES STRAIGHT SECTIONS.
3. ASSEMBLY THE (II) PLASTIC KNOBS AND TIGHTEN THE KNOBS COMPLETELY.

CATALOG NUMBER	CONFIGURATION	COLOR
FGS-MDSA-HF-R	12" EXIT RIGHT	BLACK
FGS-MDSA-HF-L	12" EXIT LEFT	BLACK



INFORMATION ON THIS DOCUMENT IS PROPRIETARY TO ADC AND SHALL NOT BE USED, COPIED, REPRODUCED OR DISCLOSED IN WHOLE OR IN PART WITHOUT WRITTEN CONSENT OF ADC. ALL DIMS AND TOLERANCES ARE INCHES UNLESS OTHERWISE SPECIFIED .XX:±N/A .XXX:±N/A ANGULAR:±N/A	TITLE	24" TO 12" FGS SIDE IN LINE ADAPTER INSTALLATION DRAWING	
	C SIZE	DRAWING NUMBER	A REV
DO NOT SCALE DRAWING	ENGR: ERIK ESTRADA DWN: ERIK ESTRADA	1705234	SHT. 1 OF 1

**DIMENSIONS IN INCHES  
THIRD ANGLE PROJECTION**