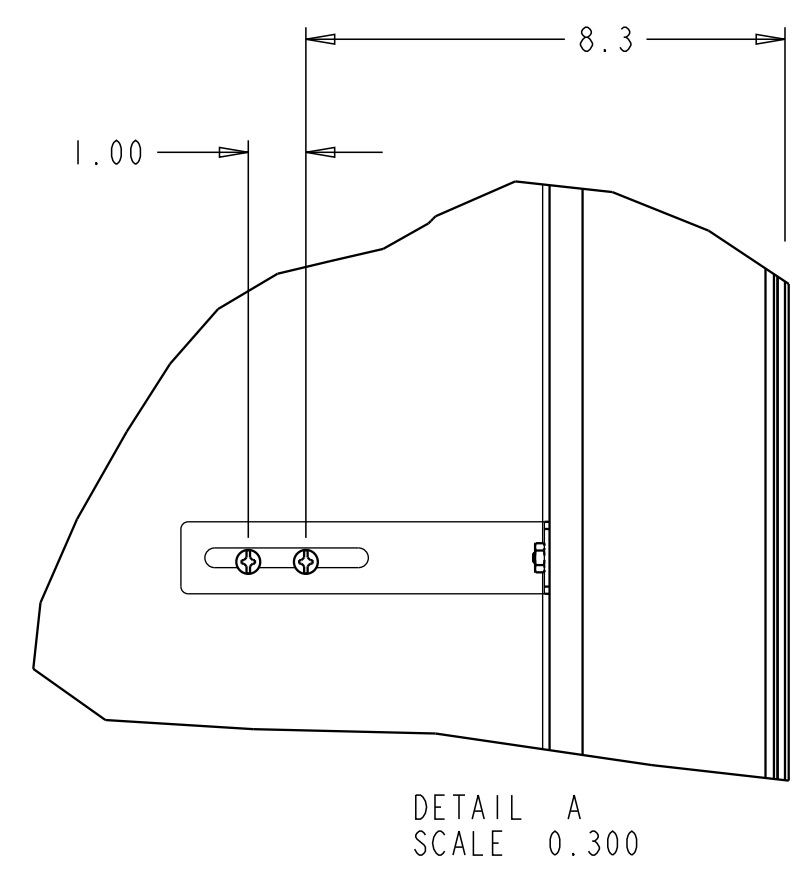
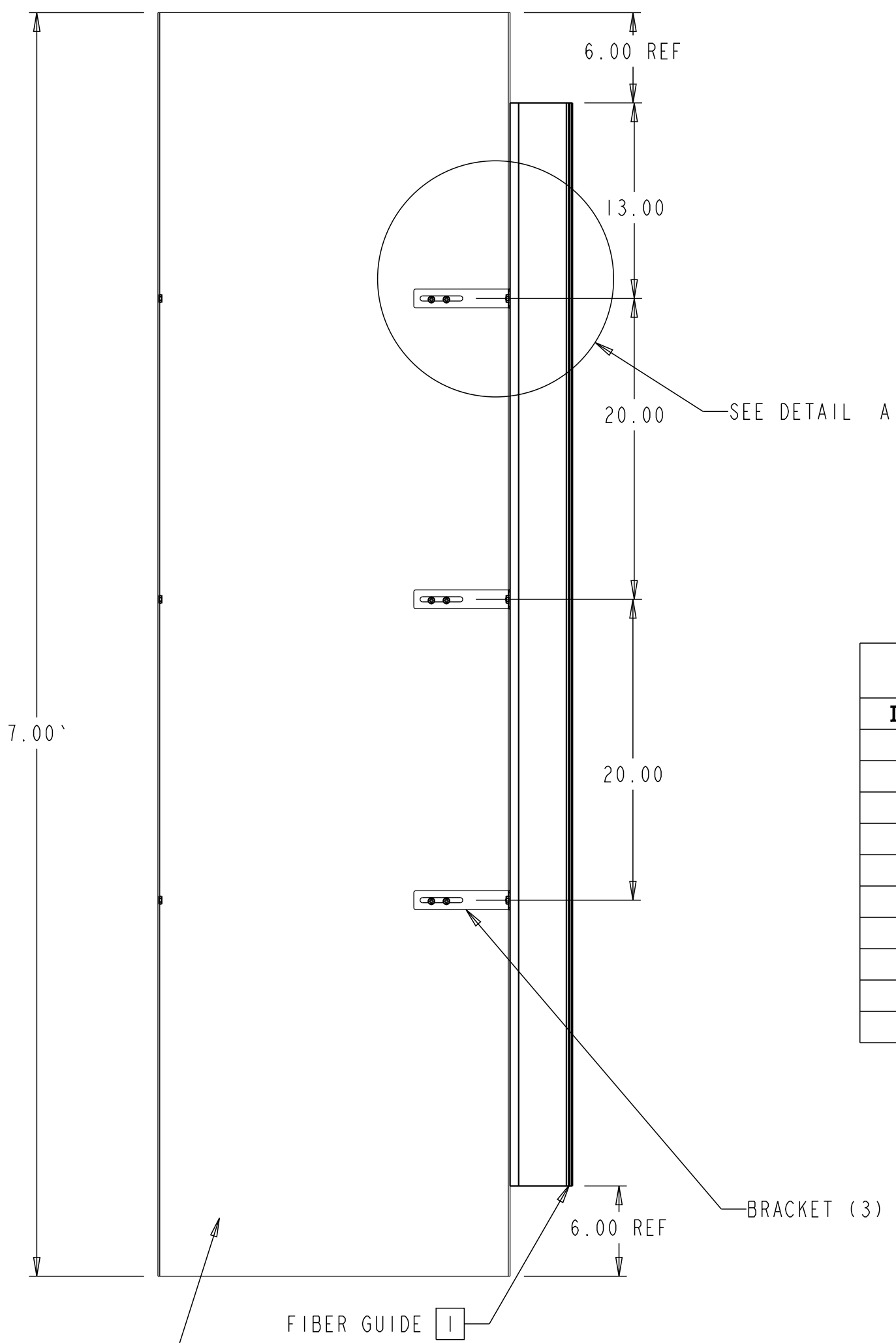
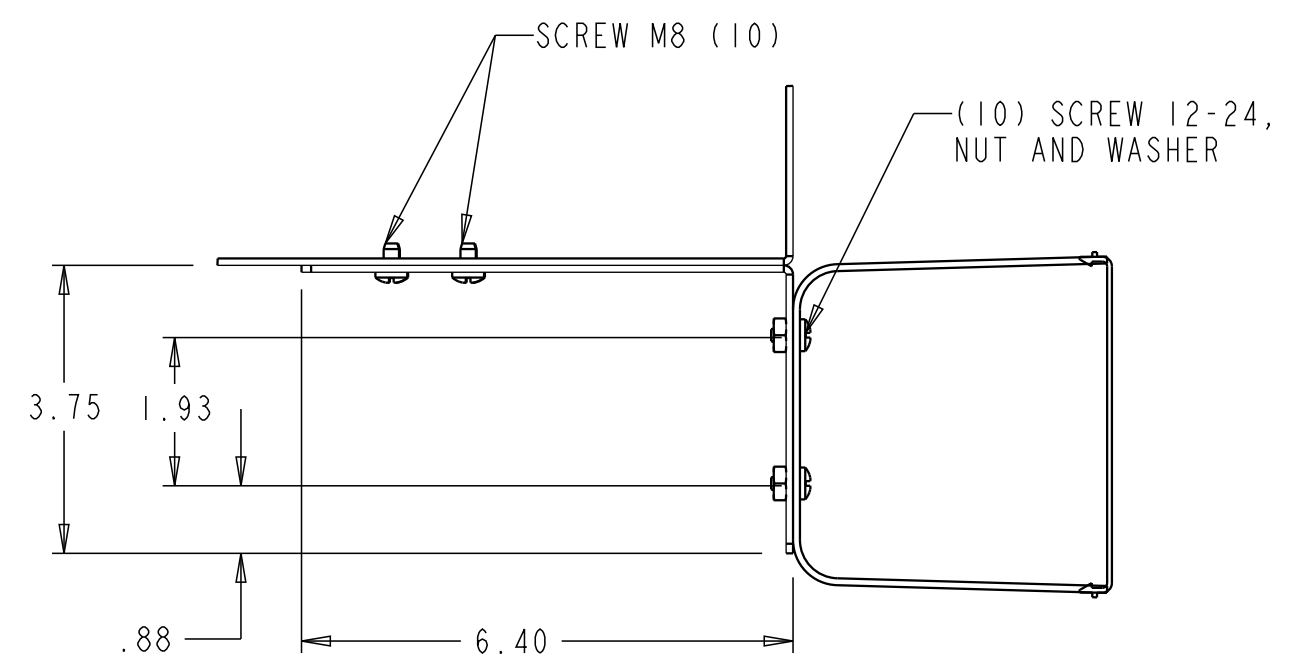


REV.	MCO	DWN	DATE
D	20255333	DGS	19-DEC-08
E	40031755MCO	OAVL	24-JUN-16



THIS KIT INCLUDE		
ITEM	DESCRIPTION	QTY
001	COVER, EXTRUDED, FGS, 4X4	1
002	FIBER GUIDE 4X4 NO SLOT OF 72"	1
003	GROMMET 10 LGTH .085 / .128	3
004	SUPPORT BRACKET FGS	5
005	M8X16 HEX CAP	10
006	W21-06 0.381, 0.680	10
009	SCREW 12-24X3/8	10
010	WASHER FLAT #12 POU	10
011	NUT-12-24-ST-NP-7/16X5/32	10
012	4X4VT CVR RETAINER	3



RACK IS SHOWN ONLY FOR REF

SIDE VIEW

NOTE:
 1. THIS KIT CONTAINS ONLY ONE STRAIGHT AND ONE COVER, MOUNTING BRACKETS, AND NECESSARY HARDWARE.

FGS-KTW2-F	YELLOW
CATALOG #	COLOR

COMMSCOPE, INC.

© 2016 COMMSCOPE, INC. CONFIDENTIAL NOTICE: THESE DRAWINGS AND SPECIFICATIONS ARE THE PROPRIETARY PROPERTY OF COMMSCOPE, INC. AND MAY BE USED ONLY FOR THE SPECIFIC PURPOSE AUTHORIZED IN WRITING BY COMMSCOPE, INC.		TITLE DUCT, CVR, BKT KIT 4" (INST DWG)	
ALL DIMS AND TOLERANCES ARE INCHES UNLESS OTHERWISE SPECIFIED	.XX:±REF .XXX:±REF ANGULAR:±N/A	C SIZE	DRAWING NUMBER 1383512_ADC
DO NOT SCALE DRAWING	ENGR: J. BARRAZA DWN: R. CAZARES	E REV	SHT. 1 OF 2

**DIMENSIONS IN INCHES
THIRD ANGLE PROJECTION**

A

B

C

D

1

1

2

2

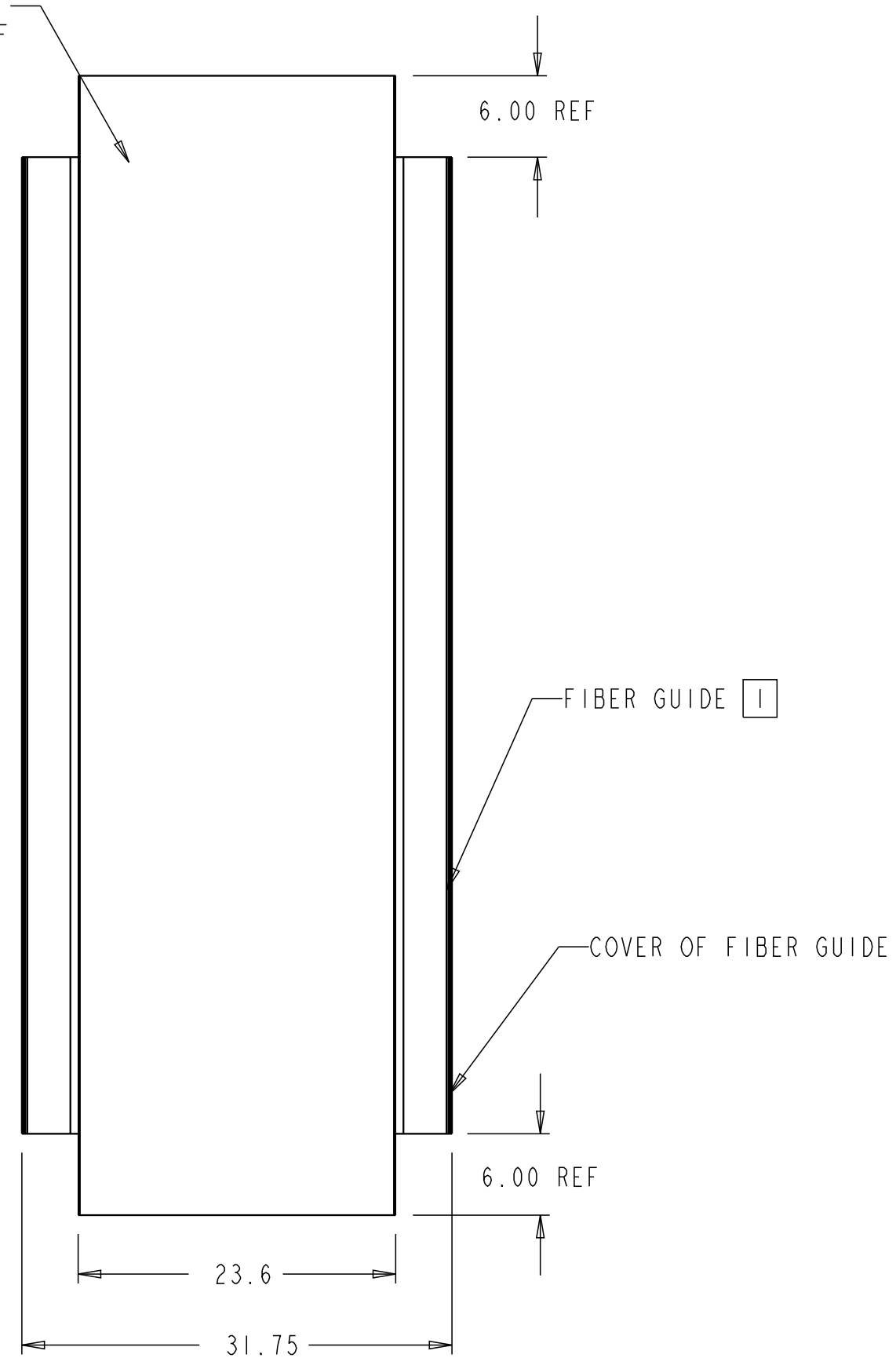
3

3

4

4

RACK IS SHOWN ONLY FOR REF



FRONT VIEW

COMMSCOPE, INC.

© 2016 COMMSCOPE, INC. CONFIDENTIAL
 NOTICE: THESE DRAWINGS AND SPECIFICATIONS
 ARE THE PROPRIETARY PROPERTY OF
 COMMSCOPE, INC. AND MAY BE USED ONLY FOR THE
 SPECIFIC PURPOSE AUTHORIZED IN WRITING BY
 COMMSCOPE, INC.

TITLE DUCT, CVR, BKT KIT 4"
 (INST DWG)

ALL DIMS AND TOLERANCES .XX:±REF
 ARE INCHES UNLESS .XXX:±REF
 OTHERWISE SPECIFIED ANGULAR:±N/A

C SIZE	DRAWING NUMBER 1383512_ADC	E REV
-----------	-------------------------------	----------

DO NOT SCALE DRAWING

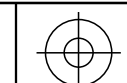
ENGR: J. BARRAZA
 DWN: R. CAZARES

SHT. 2 OF 2

A

B

C



**DIMENSIONS IN INCHES
THIRD ANGLE PROJECTION**