

REV	ECO	DWN	DATE
A	98406	MV	10-27-92
B	99342	MV	01-13-92

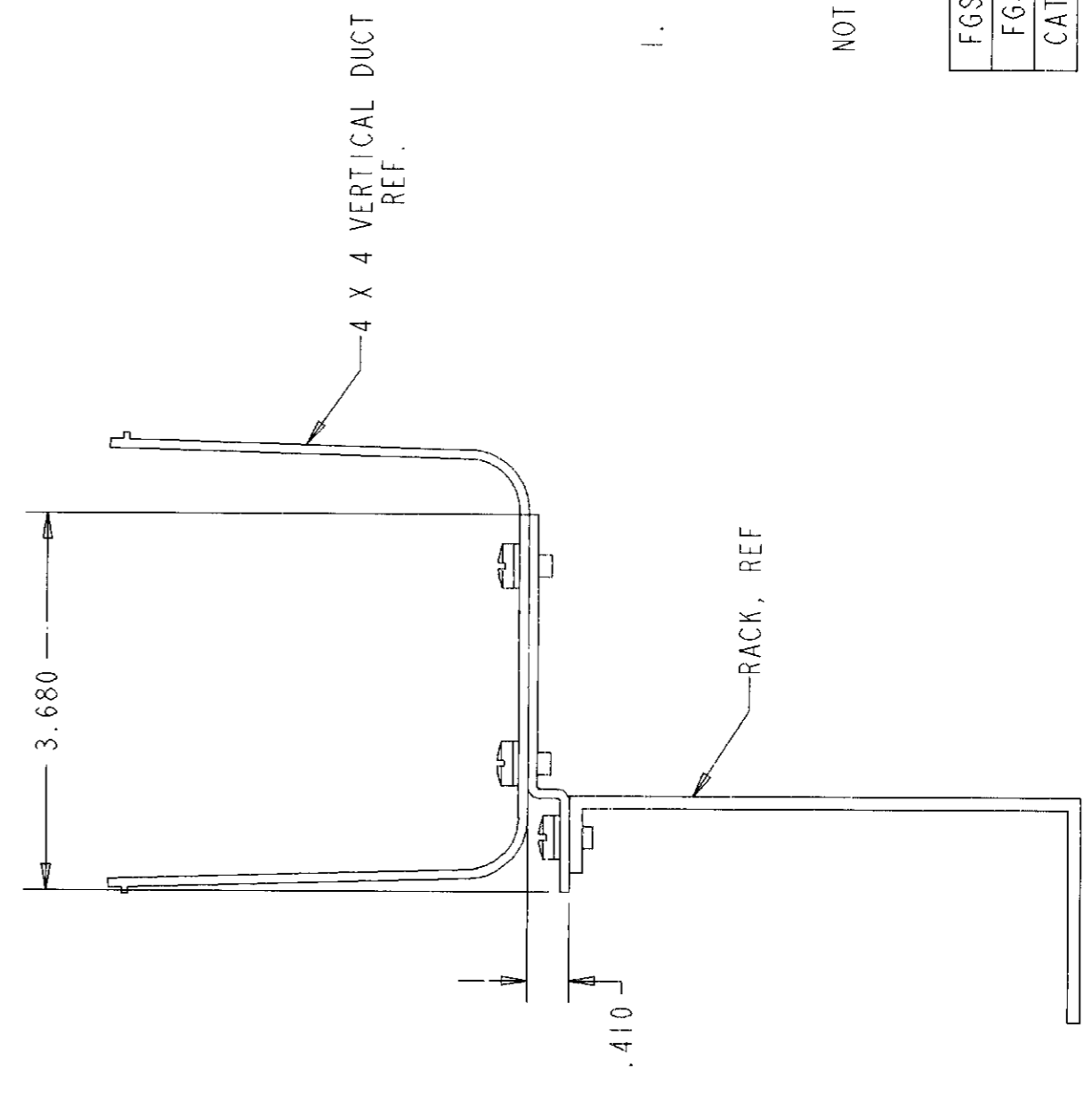
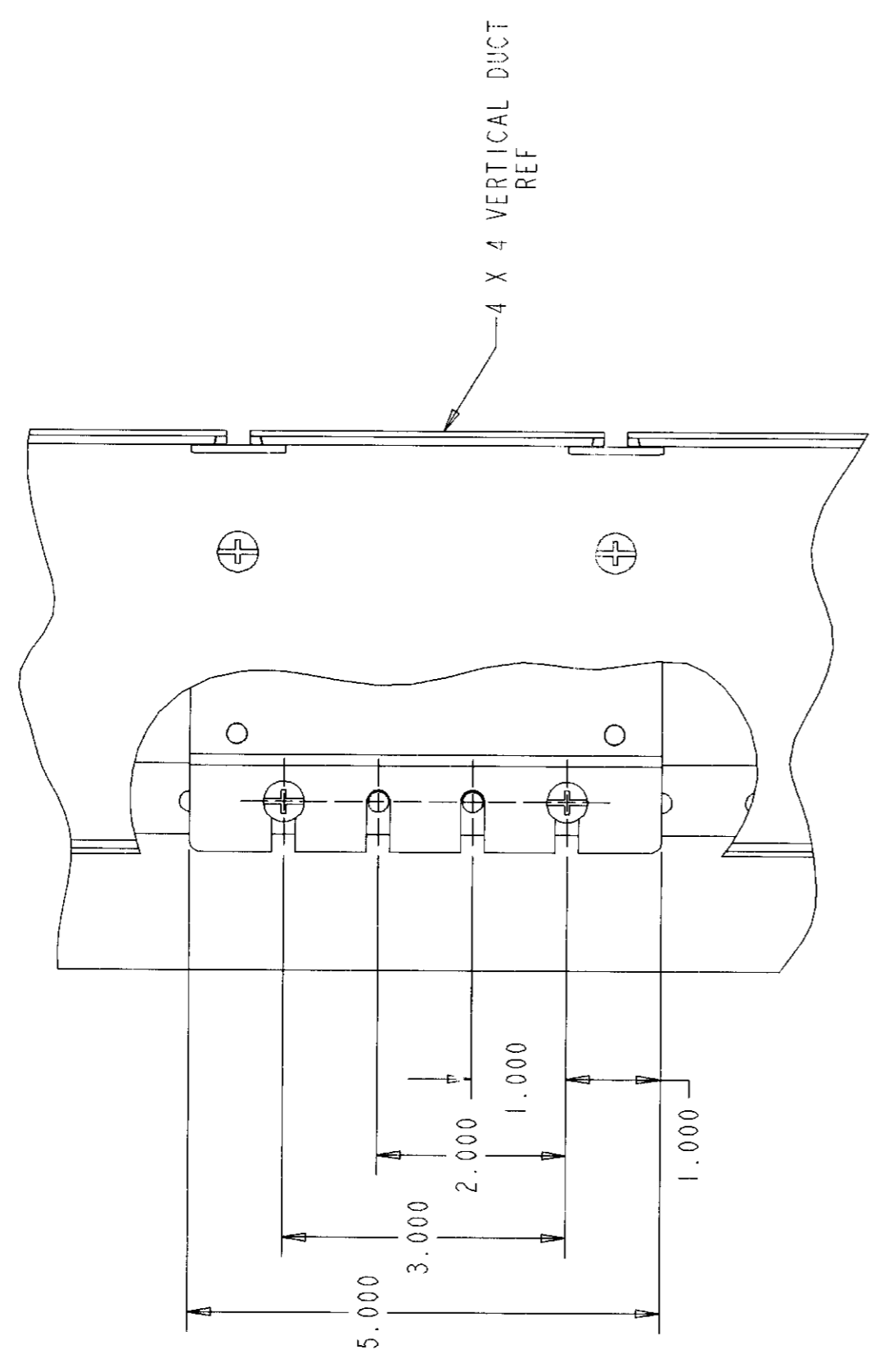


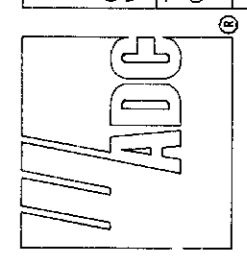
FIGURE 2
4 X 4 VERTICAL DUCT MOUNTED
DIRECTLY TO RACK

FIGURE 1
4 X 4 VERTICAL DUCT MOUNTED TO
RACK USING MOUNTING BRACKETS

1. ITEMS INCLUDED WITH KIT:
 (1) WECO MOUNTING BRACKET
 (6) SCREW 12-24
 (6) FLATWASHER #12

NOTES:

FGSO-HWMB-D	ORANGE
FGS-HWMB-D	YELLOW
CATALOG NO.	COLOR



INFORMATION ON THIS DOCUMENT IS PROPRIETARY TO ADC AND SHALL NOT BE USED, COPIED, REPRODUCED OR DISCLOSED IN WHOLE OR IN PART WITHOUT WRITER'S CONSENT OF ADC. TOLERANCE UNLESS SPECIFIED: .XX: REF ANGLAR: REF

TITLE FG WECO VERT. GUIDE BRACKET KIT (INST. DRW)

C DRAWING NUMBER 4-29000-2398
 B REV

DO NOT SCALE DRAWING ENGR: BRUCE MUSOLF
 DWN: MICHAEL VILLAS SHT. 1 OF 1