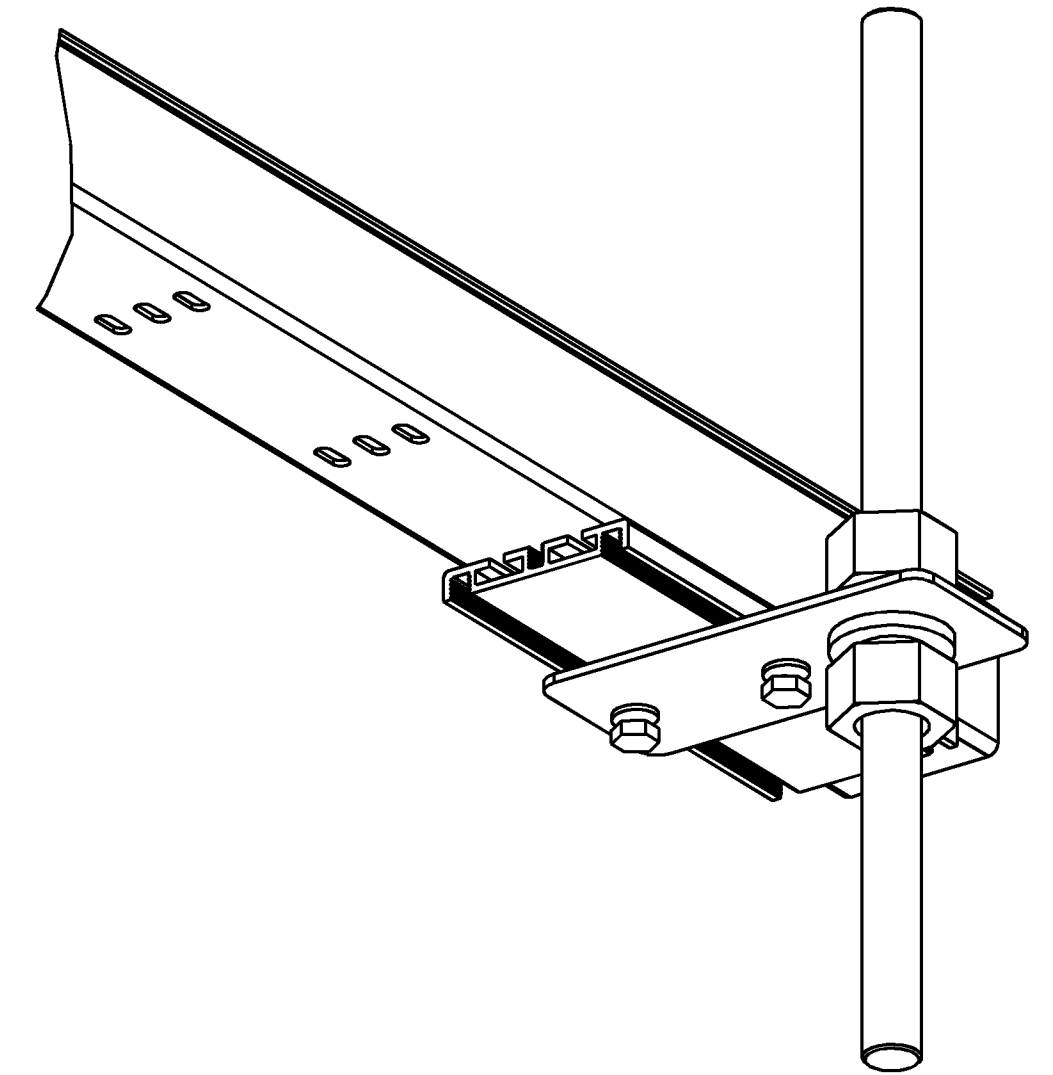
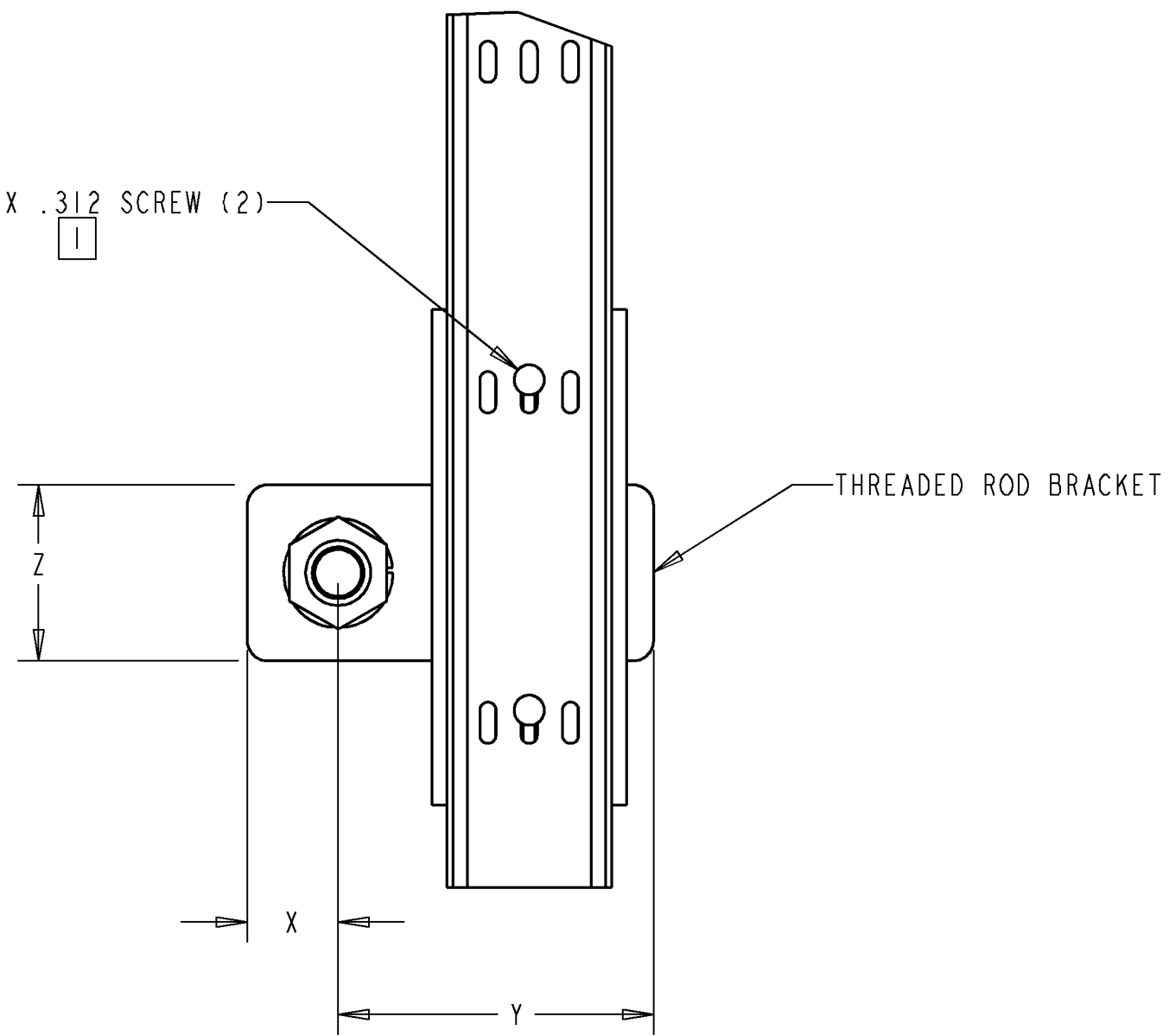
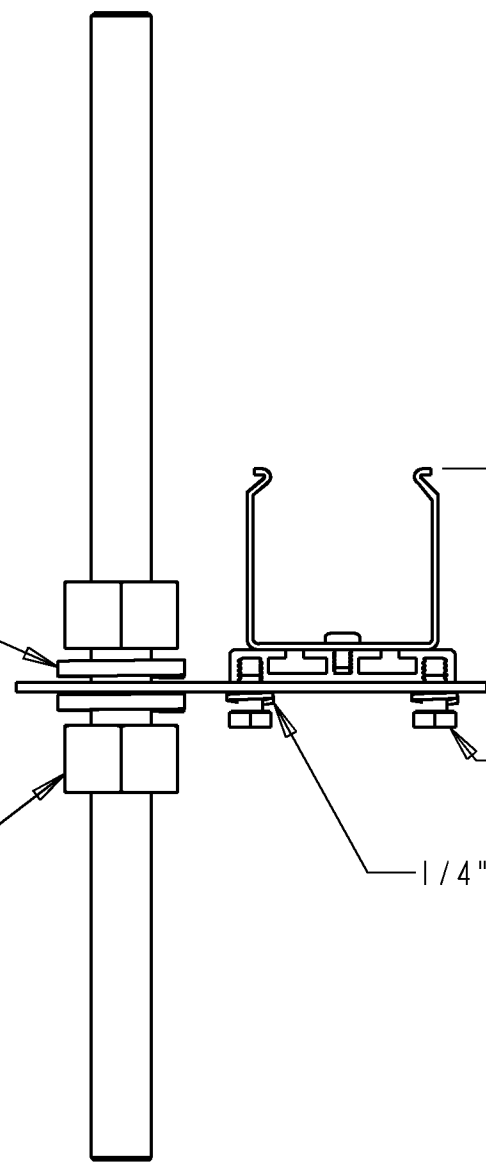


REV	ECO	DWN	DATE
A	20078124	CDZ	28-DEC-00
-	-----	---	-----

#10-24 X .312 SCREW (2) 1

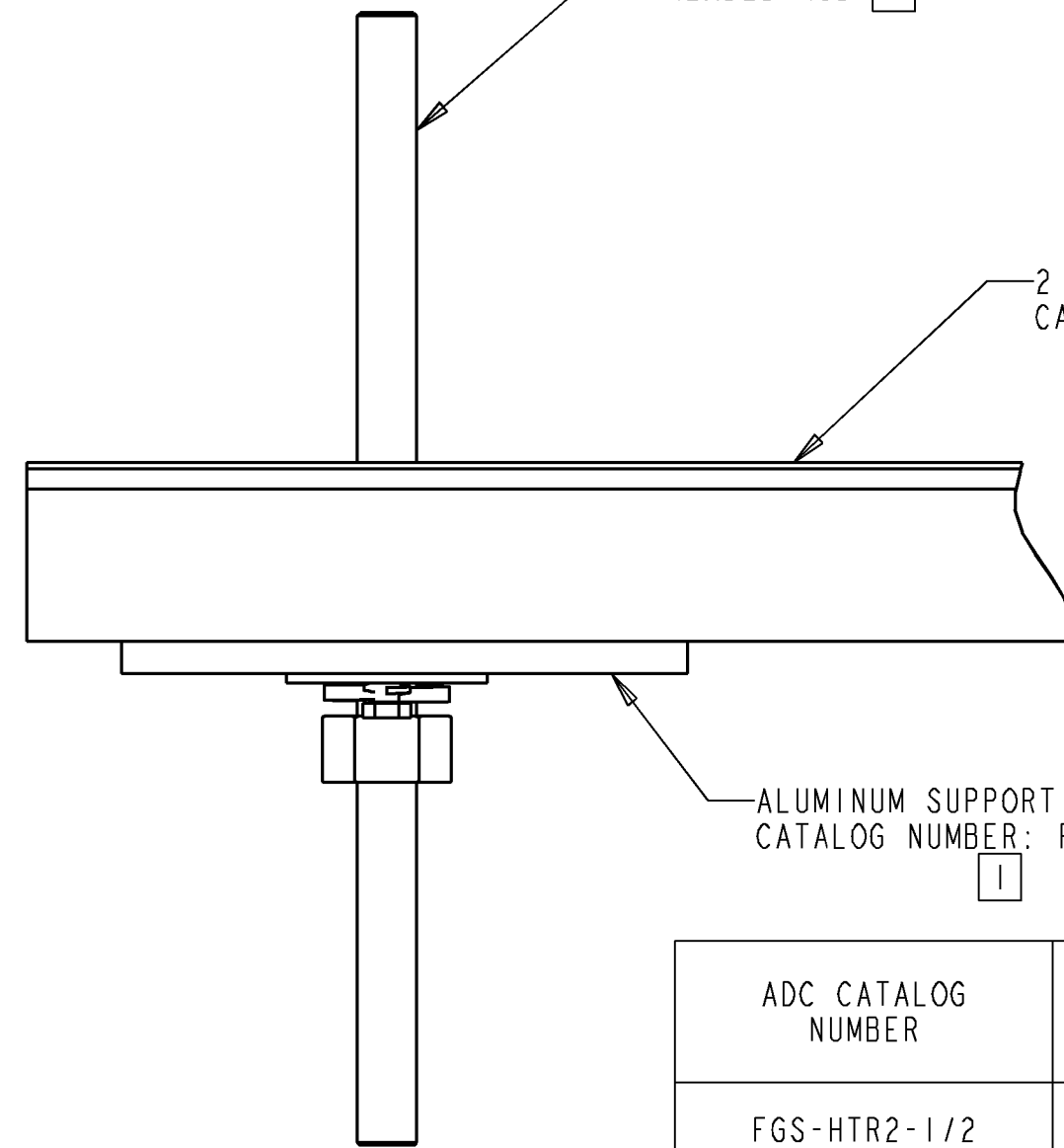


LOCK WASHER (2)
 HEX NUT (2)
 1/4-20 X .375 SCREW (2)
 1/4" LOCK WASHER (2)
 2.3 REF.



THREADED ROD 1

2 X 2 FIBERGUIDE EXTRUSION
 CATALOG NUMBER: FGS-MSHA-C 1



ALUMINUM SUPPORT EXTRUSION
 CATALOG NUMBER: FGS-HASK-C 1

ADC CATALOG NUMBER	ROD SIZE	"X" DIM REF (INCHES)	"Y" DIM REF (INCHES)	"Z" DIM REF (INCHES)
FGS-HTR2-1/2	1/2"	1.0	3.4	2.0
FGS-HTR2-5/8	5/8"	1.0	3.4	2.0
FGS-HTR2-12MM	12MM	1.0	3.4	2.0
FGS-HTR2-20MM	20MM	1.1	3.8	2.1

NOTES:

1 ITEMS NOT INCLUDED IN KIT.



INFORMATION ON THIS DOCUMENT IS PROPRIETARY TO ADC AND SHALL NOT BE USED, COPIED, REPRODUCED OR DISCLOSED IN WHOLE OR IN PART WITHOUT WRITTEN CONSENT OF ADC.

TOLERANCE UNLESS OTHERWISE SPECIFIED: .XX: ±.02
 .XXX: ±.010
 ANGULAR: ±2°

THIRD ANGLE PROJECTION

DO NOT SCALE DRAWING

ENGR: KEVIN HRUBY
 DWN: CRAIG ZELASKO

TITLE
 KIT, 2" FGS, THREADED ROD BRKT (INST DWG)

DRAWING NUMBER
 1149363

SHT. 1 OF 1