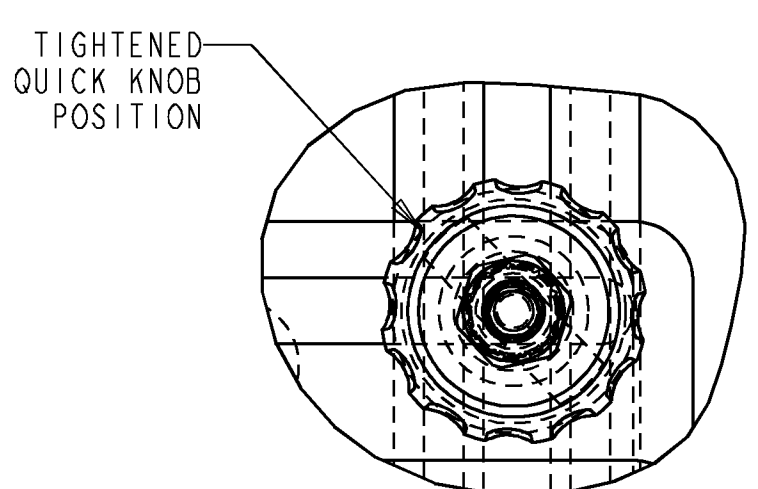
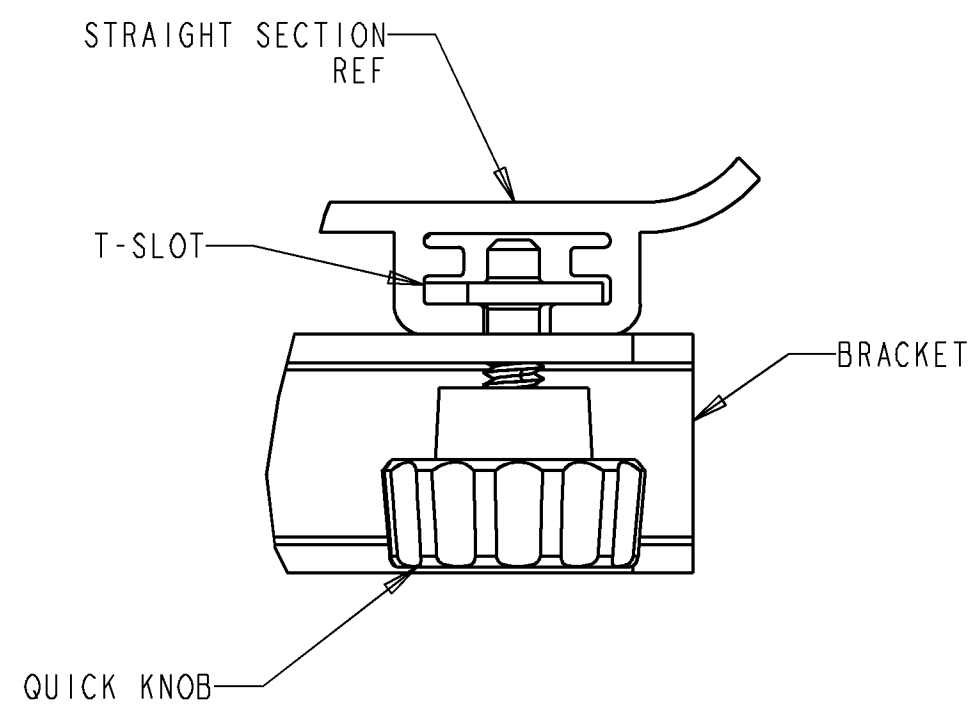
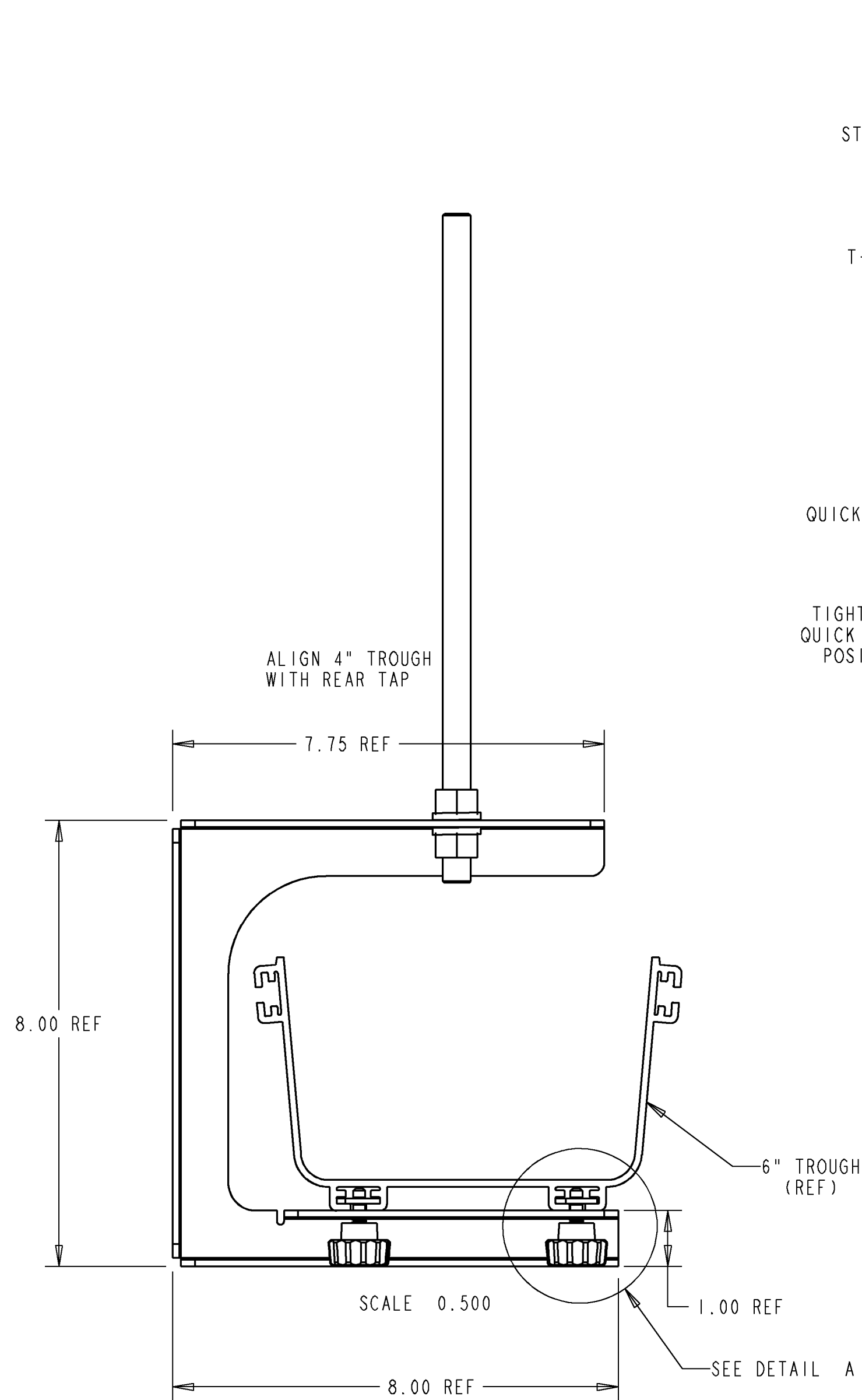
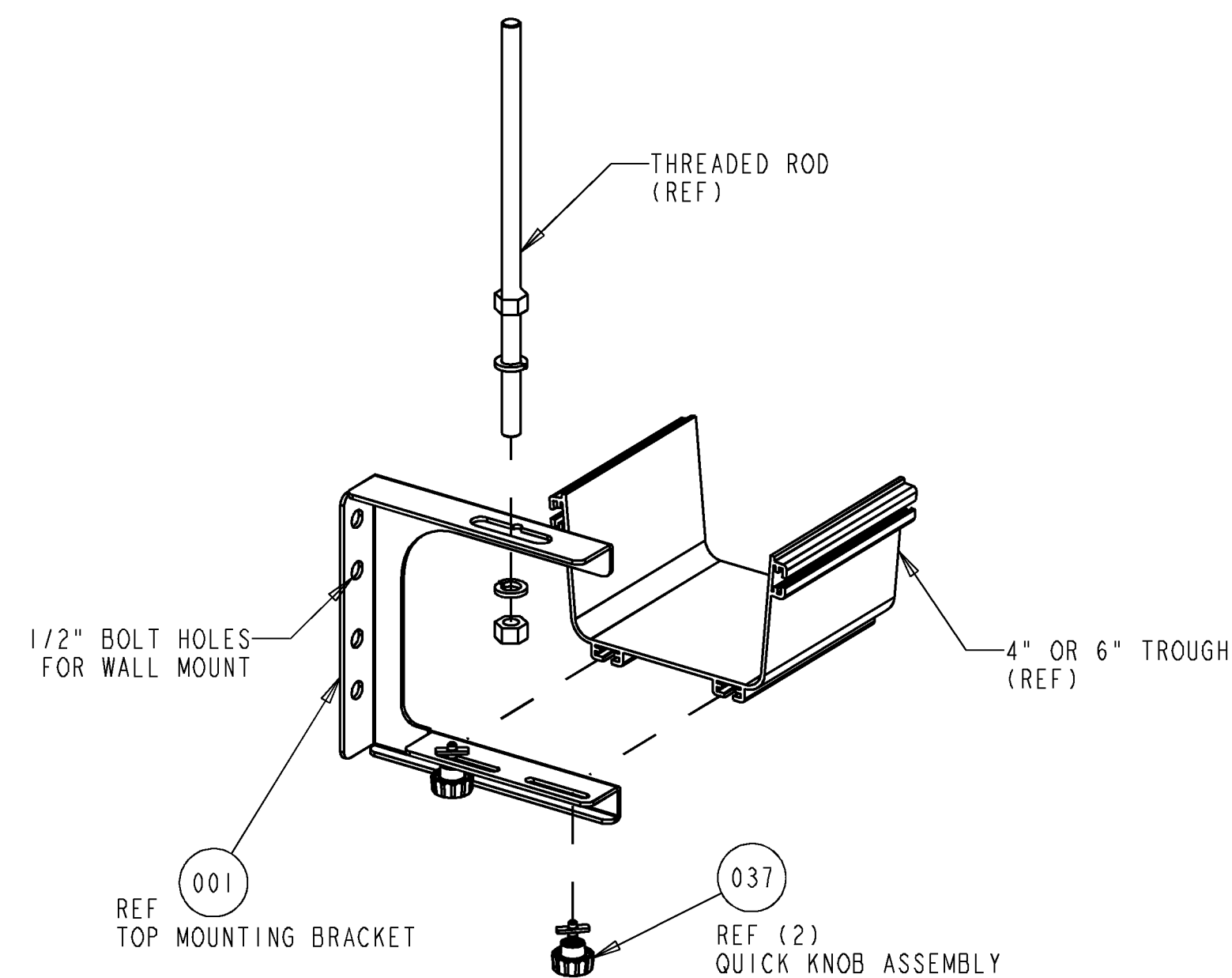


REV	ECO	DWN	DATE
A	20090197	CNW	10-MAY-01
B	20132598	JCS	25-MAR-03



DETAIL A
QUICK KNOB ASSEMBLY
SCALE 1.250



- NOTES:
- QUICK KNOB INSTALLATION:
INSERT QUICK KNOB THROUGH BRACKET, ROTATE 90°, AND INTO T-SLOT IN FGS STRAIGHT SECTION. ROTATE QUICK KNOB CLOCKWISE SUCH THAT THE FLANGES EXTEND INTO T-SLOT. TIGHTEN KNOB. SEE DETAIL A.
 - SEE DETAIL B FOR JUNCTION MOUNTING OPTION. USE 1/4 INCH SCREWS INCLUDED WITH KIT.

FGS-HNTS-5/8-LP	TOP MOUNT FIBER GUIDE KIT 5/8" ROD
FGS-HNTS-1/2-LP	TOP MOUNT FIBER GUIDE KIT 1/2" ROD
FGS-HNTS-12mm-LP	TOP MOUNT FIBER GUIDE KIT 12mm ROD
FGS-HNTS-14mm-LP	TOP MOUNT FIBER GUIDE KIT 14mm ROD
FGS-HNTS-16mm-LP	TOP MOUNT FIBER GUIDE KIT 16mm ROD
CATALOG NUMBER	DESCRIPTION



INFORMATION ON THIS DOCUMENT IS PROPRIETARY TO ADC AND SHALL NOT BE USED, COPIED, REPRODUCED OR DISCLOSED IN WHOLE OR IN PART WITHOUT WRITTEN CONSENT OF ADC.

TITLE TOP MOUNT 4-6" FGS INSTALLATION DWG

ALL DIMS AND TOLERANCES ARE INCHES UNLESS OTHERWISE SPECIFIED

SIZE C DRAWING NUMBER 1174934

DO NOT SCALE DRAWING

ENGR: DEREK DERKS DWN: CRAIG ZELASKO SHT. 1 OF 2

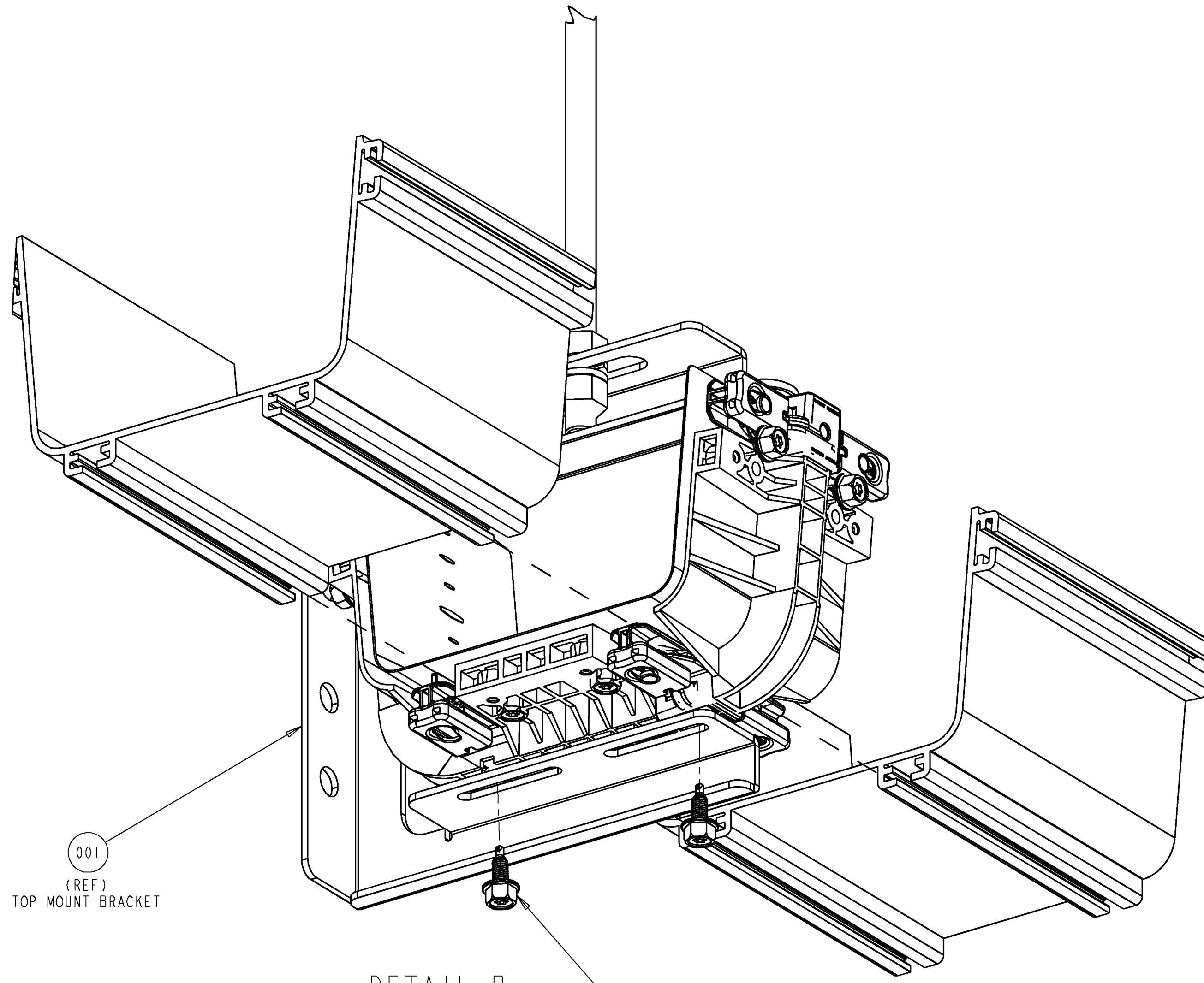
DIMENSIONS IN INCHES
THIRD ANGLE PROJECTION

A

B

C

D



001
(REF)
TOP MOUNT BRACKET

DETAIL B
JUNCTION MOUNTING OPTION

015
REF (2)
1/4-20 THD FORMING SCREW



INFORMATION ON THIS DOCUMENT IS PROPRIETARY TO ADC AND SHALL NOT BE USED, COPIED, REPRODUCED OR DISCLOSED IN WHOLE OR IN PART WITHOUT WRITTEN CONSENT OF ADC.

TITLE TOP MOUNT 4-6" FGS INSTALLATION DWG

ALL DIMS AND TOLERANCES ARE INCHES UNLESS OTHERWISE SPECIFIED

SIZE C DRAWING NUMBER 1174934

DO NOT SCALE DRAWING

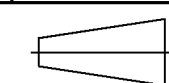
ENGR: DEREK DERKS
DWN: CRAIG ZELASKO

SHT. 2 OF 2

A

B

C



DIMENSIONS IN INCHES
THIRD ANGLE PROJECTION