

REV.	MCO	DWN	DATE
A	40015037MCO	OAVL	17-JUN-14
B	40032743MCO	ARL	05-AUG-16

PARTS LIST		
ITEM	DESCRIPTION	QTY
001	BRACKET, TRAPEZE	1
002	CLIP, BRACKET	2
003	LOCK WASHER, LARGE	4
004	HEX NUT, LARGE	4
013	SCREW, THREAD FORM, 1/4-20	4
037	QUICK KNOB	4
999	INSTALLATION DRAWING	1

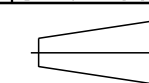
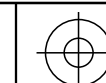
← IF APPLICABLE

← IF APPLICABLE

CATALOG NO.	ROD DIAMETER (APPLICATION)	SEE FIGURE
FGS-HNTP-H-16MM	16MM (NEW)	1
FGS-HNTP-H-5/8	5/8" (NEW)	1
FGS-HETP-H-5/8	5/8" (EXISTING)	2

<small>© 2016 COMMSCOPE, INC. CONFIDENTIAL NOTICE: THESE DRAWINGS AND SPECIFICATIONS ARE THE PROPRIETARY PROPERTY OF COMMSCOPE, INC. AND MAY BE USED ONLY FOR THE SPECIFIC PURPOSE AUTHORIZED IN WRITING BY COMMSCOPE, INC.</small>		TITLE KIT TRAPEZE 24 FGS INSTALLATION DRAWING	
<small>ALL DIMS AND TOLERANCES .XX:±N/A ARE INCHES UNLESS .XXX:±N/A OTHERWISE SPECIFIED ANGULAR:±N/A</small>		C SIZE	DRAWING NUMBER 300100103923
DO NOT SCALE DRAWING		ENGR: DEREK SAYRES DWN: JOHN PFARR	B REV
		SHT. 1 OF 5	

COMMSCOPE, INC.



**DIMENSIONS IN INCHES
 THIRD ANGLE PROJECTION**

A

B

C

D

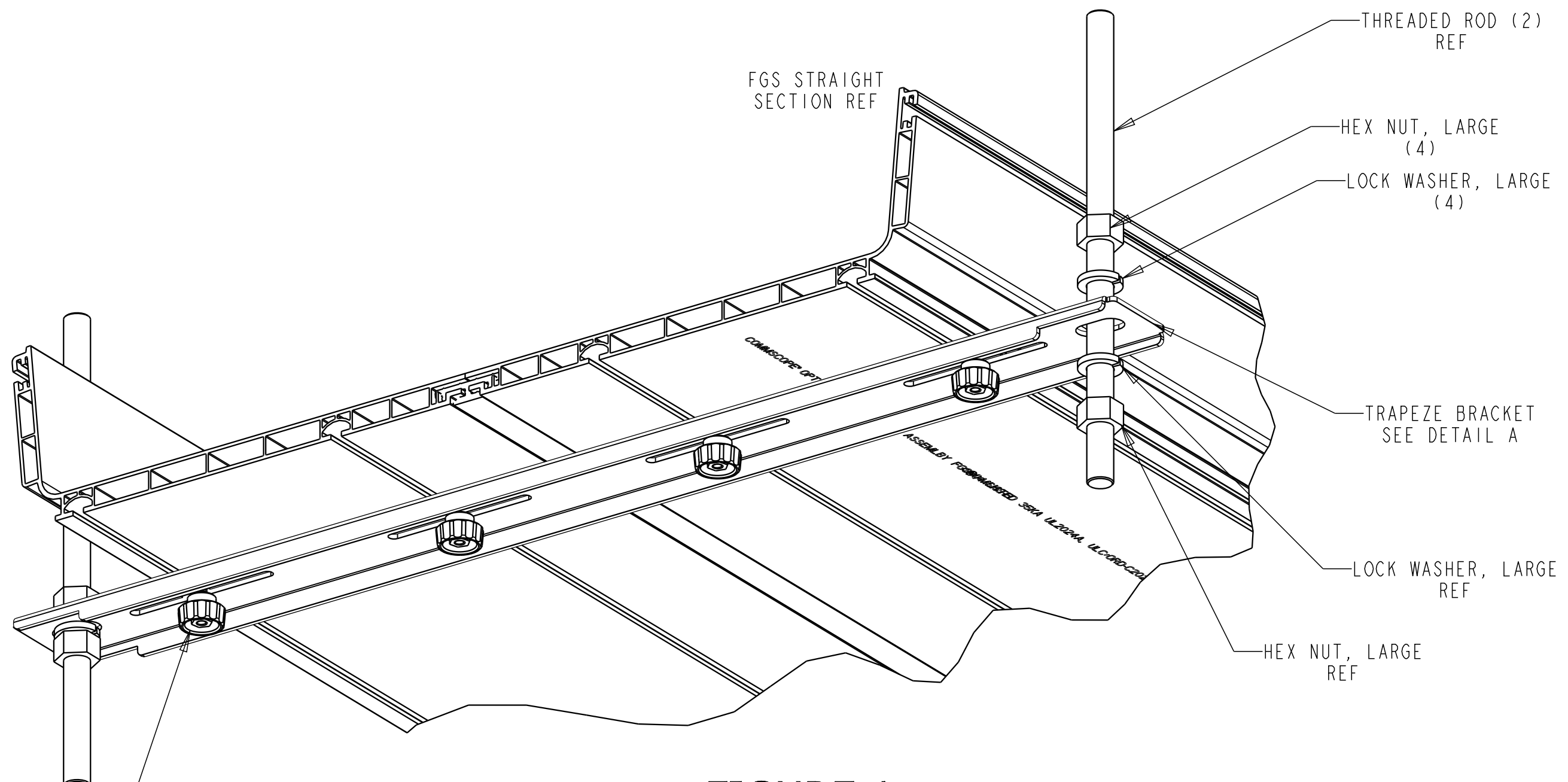
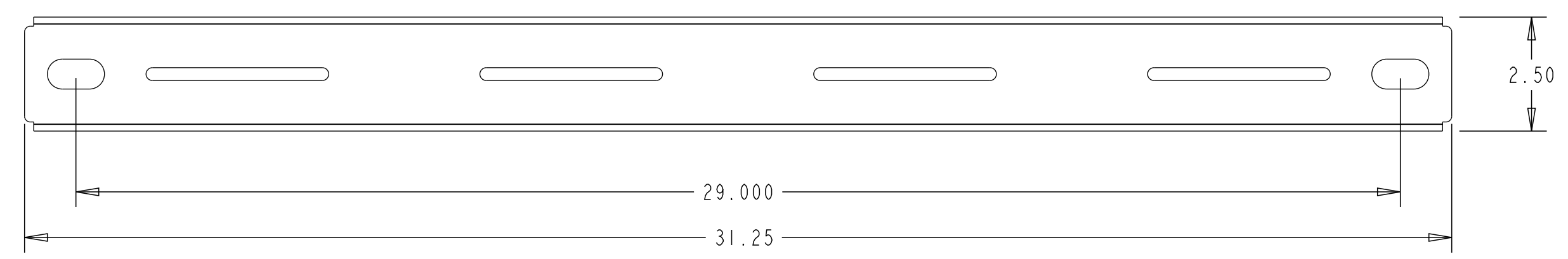
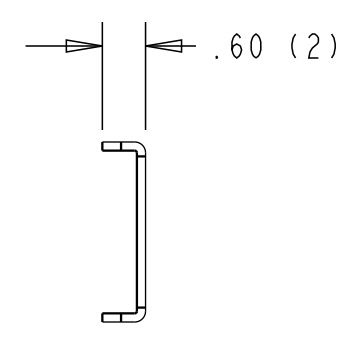


FIGURE 1
NEW APPLICATIONS

SEE FIGURES 3 AND 4
FOR MOUNTING OPTIONS



DETAIL A
NEW APPLICATION BRACKET

COMMSCOPE, INC.

© 2016 COMMSCOPE, INC. CONFIDENTIAL
NOTICE: THESE DRAWINGS AND SPECIFICATIONS
ARE THE PROPRIETARY PROPERTY OF
COMMSCOPE, INC. AND MAY BE USED ONLY FOR THE
SPECIFIC PURPOSE AUTHORIZED IN WRITING BY
COMMSCOPE, INC.

TITLE
KIT TRAPEZE 24 FGS
INSTALLATION DRAWING

ALL DIMS AND TOLERANCES .XX:±N/A
ARE INCHES UNLESS .XXX:±N/A
OTHERWISE SPECIFIED ANGULAR:±N/A

C
SIZE
DRAWING NUMBER
300100103923
B
REV

DO NOT SCALE DRAWING

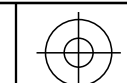
ENGR: DEREK SAYRES
DWN: JOHN PFARR

SHT. 2 OF 5

A

B

C



DIMENSIONS IN INCHES
THIRD ANGLE PROJECTION

A

B

C

D

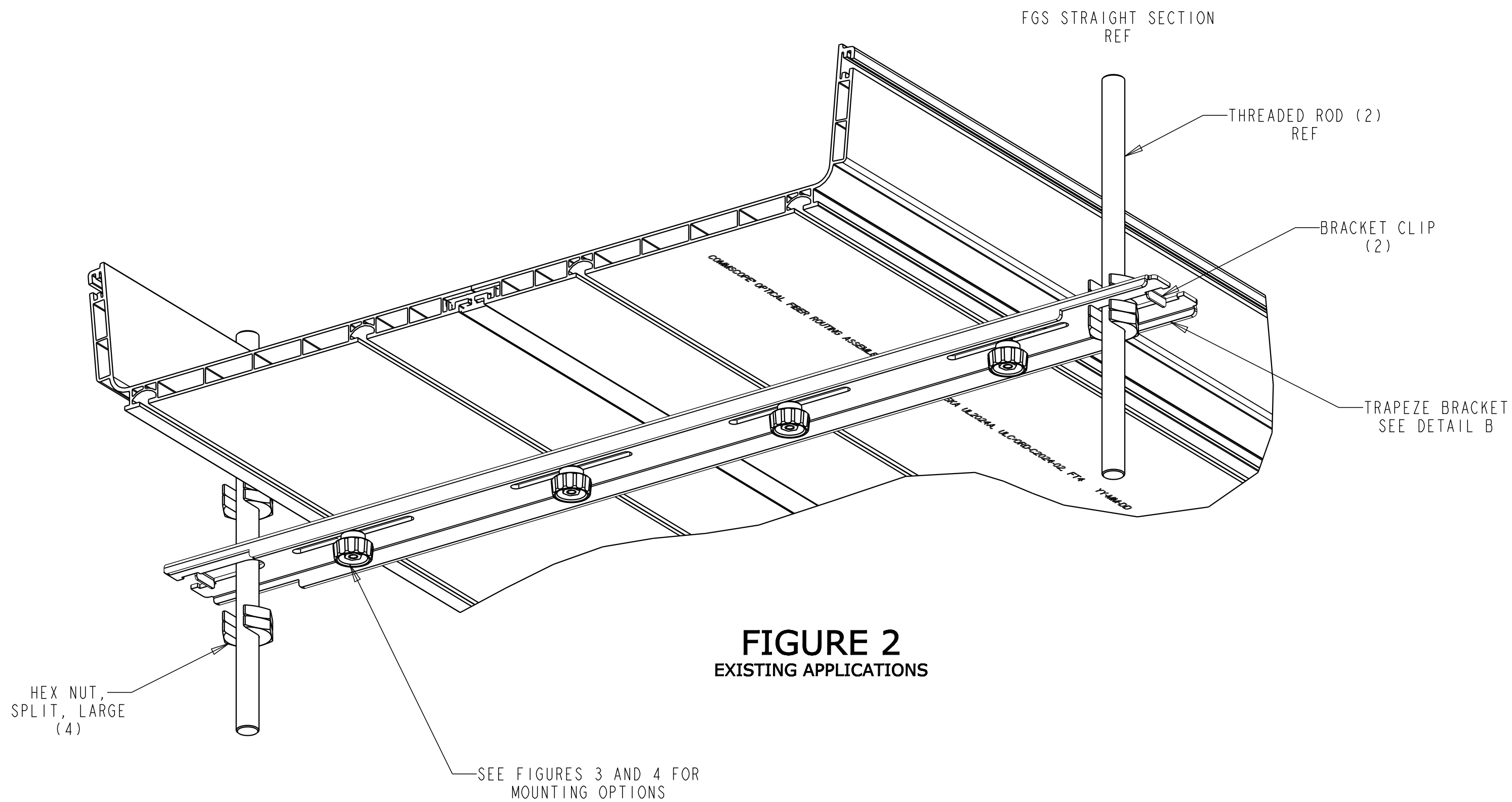
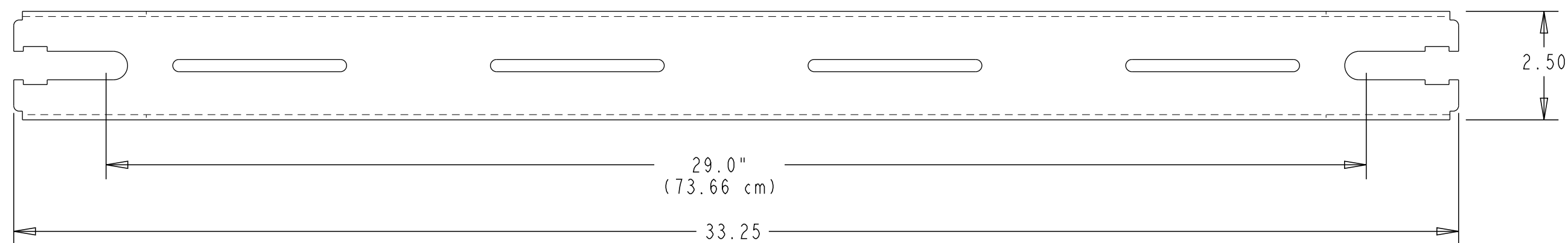
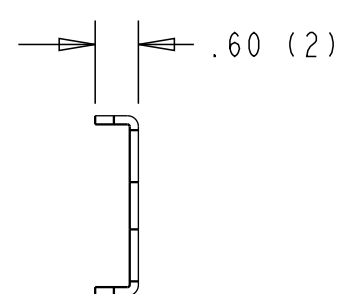


FIGURE 2
EXISTING APPLICATIONS



DETAIL B
EXISTING APPLICATION BRACKET

COMMSCOPE, INC.

<small>© 2016 COMMSCOPE, INC. CONFIDENTIAL NOTICE: THESE DRAWINGS AND SPECIFICATIONS ARE THE PROPRIETARY PROPERTY OF COMMSCOPE, INC. AND MAY BE USED ONLY FOR THE SPECIFIC PURPOSE AUTHORIZED IN WRITING BY COMMSCOPE, INC.</small>		TITLE KIT TRAPEZE 24 FGS INSTALLATION DRAWING	
<small>ALL DIMS AND TOLERANCES ARE INCHES UNLESS OTHERWISE SPECIFIED</small>	<small>.XX:±N/A .XXX:±N/A ANGULAR:±N/A</small>	C SIZE 300100103923	B REV
DO NOT SCALE DRAWING		ENGR: DEREK SAYRES DWN: JOHN PFARR	SHT. 3 OF 5

**DIMENSIONS IN INCHES
THIRD ANGLE PROJECTION**

QUICK KNOB MOUNTING

FOR MOUNTING STRAIGHT SECTIONS ONLY

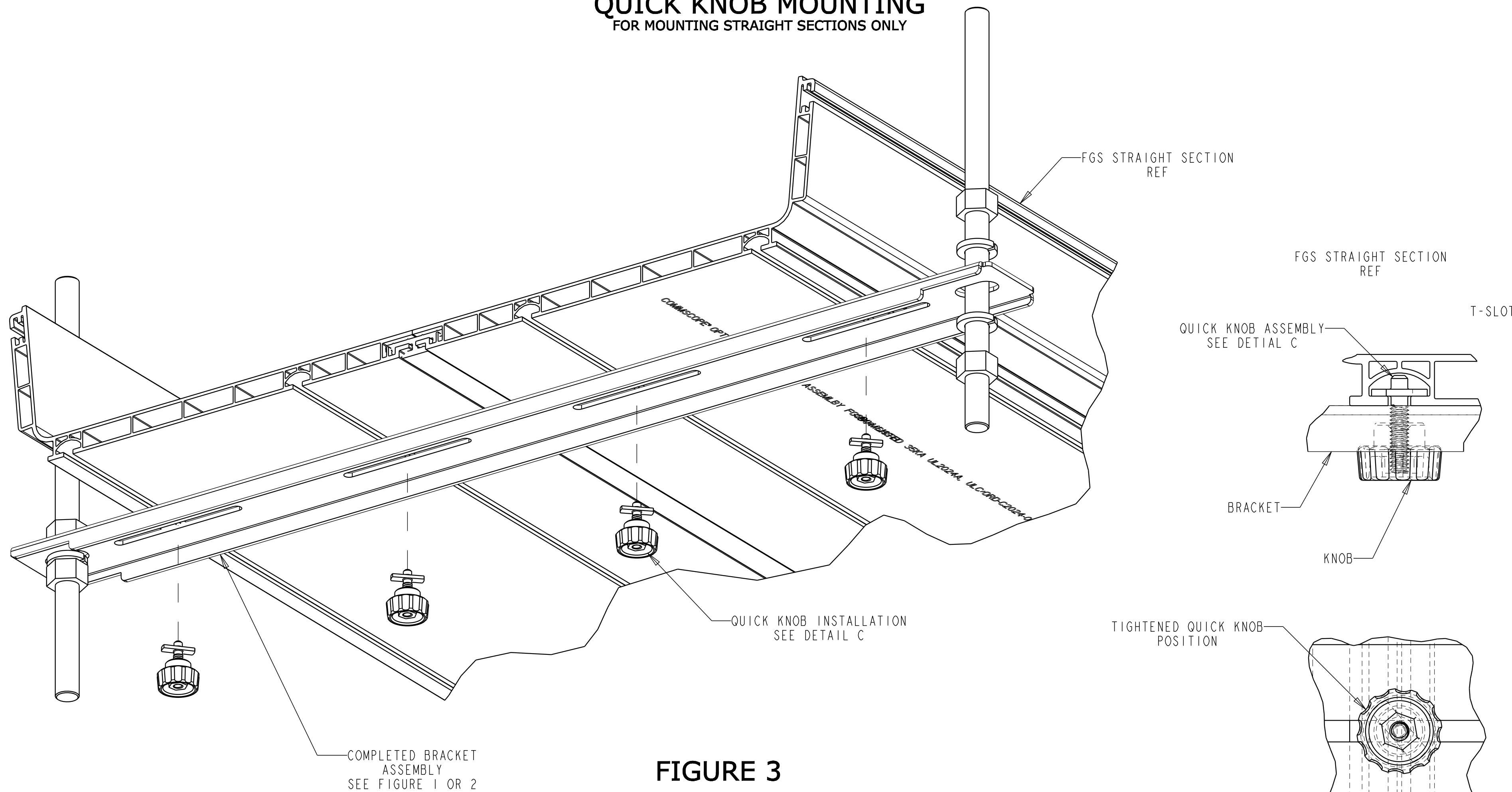


FIGURE 3

DETAIL C
QUICK KNOB INSTALLATION
BOTTOM VIEW
TYP (4) PLACES

QUICK KNOB INSTALLATION INSTRUCTIONS:

1. INSERT QUICK KNOB THROUGH BRACKET, ROTATE 90°, AND INTO T-SLOT IN FGS STRAIGHT SECTION. ROTATE QUICK KNOB CLOCKWISE SUCH THAT THE FLANGES EXTEND INTO T-SLOT. TIGHTEN KNOB. SEE DETAIL C.

COMMSCOPE, INC.

© 2016 COMMSCOPE, INC. CONFIDENTIAL NOTICE: THESE DRAWINGS AND SPECIFICATIONS ARE THE PROPRIETARY PROPERTY OF COMMSCOPE, INC. AND MAY BE USED ONLY FOR THE SPECIFIC PURPOSE AUTHORIZED IN WRITING BY COMMSCOPE, INC.		TITLE KIT TRAPEZE 24 FGS INSTALLATION DRAWING	
ALL DIMS AND TOLERANCES ARE INCHES UNLESS OTHERWISE SPECIFIED	.XX:±N/A .XXX:±N/A ANGULAR:±N/A	C SIZE	DRAWING NUMBER 300100103923
DO NOT SCALE DRAWING		ENGR: DEREK SAYRES DWN: JOHN PFARR	B REV SHT. 4 OF 5

DIMENSIONS IN INCHES
THIRD ANGLE PROJECTION

**SCREW MOUNTING
FOR MOUNTING TO JUNCTIONS ONLY**

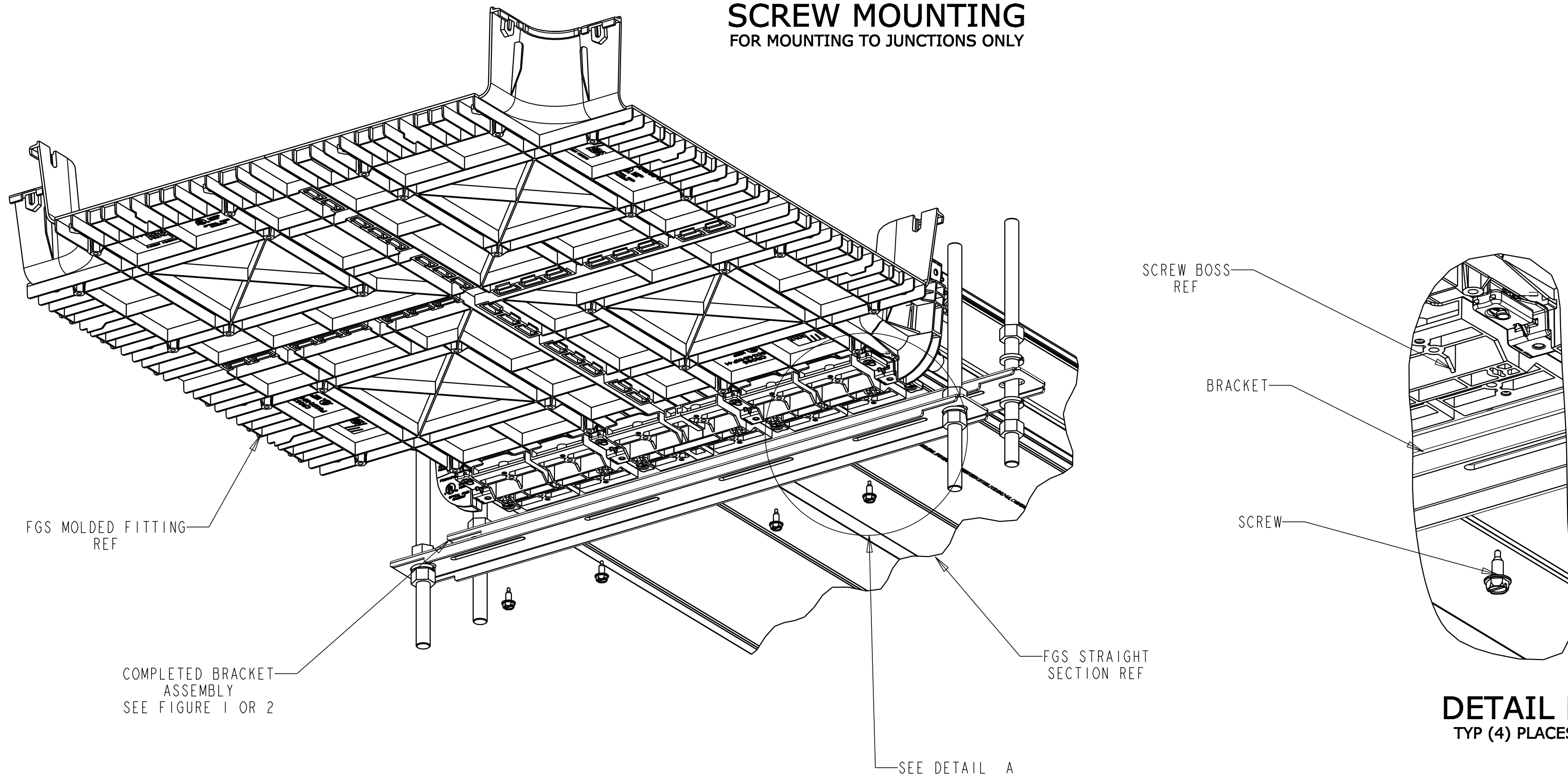


FIGURE 4

SCREW INSTALLATION INSTRUCTIONS:

1. INSERT SCREW THROUGH BRACKET AND INTO SCREW BOSS ON JUNCTION. TIGHTEN SCREW WITH WRENCH. SEE DETAIL D.

COMMSCOPE, INC.

<small>© 2016 COMMSCOPE, INC. CONFIDENTIAL NOTICE: THESE DRAWINGS AND SPECIFICATIONS ARE THE PROPRIETARY PROPERTY OF COMMSCOPE, INC. AND MAY BE USED ONLY FOR THE SPECIFIC PURPOSE AUTHORIZED IN WRITING BY COMMSCOPE, INC.</small>		TITLE KIT TRAPEZE 24 FGS INSTALLATION DRAWING	
<small>ALL DIMS AND TOLERANCES ARE INCHES UNLESS OTHERWISE SPECIFIED</small>	.XX:±N/A .XXX:±N/A ANGULAR:±N/A	C SIZE DRAWING NUMBER 300100103923	B REV
DO NOT SCALE DRAWING		ENGR: DEREK SAYRES DWN: JOHN PFARR	SHT. 5 OF 5

**DIMENSIONS IN INCHES
THIRD ANGLE PROJECTION**