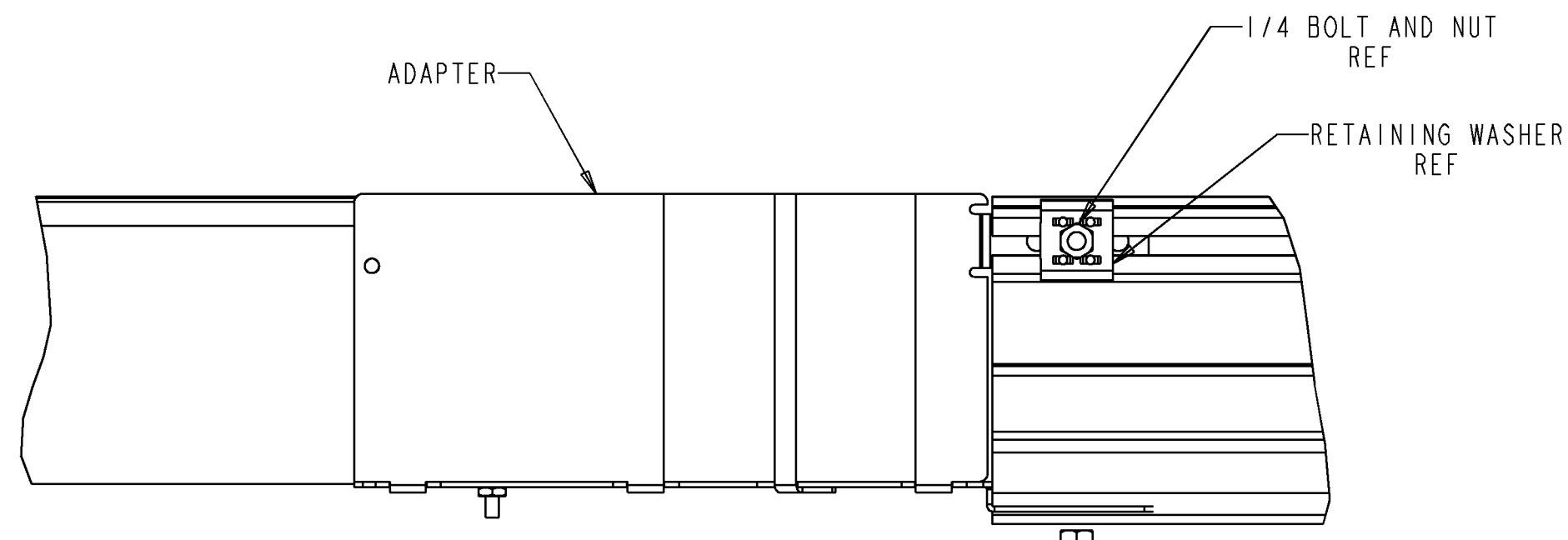
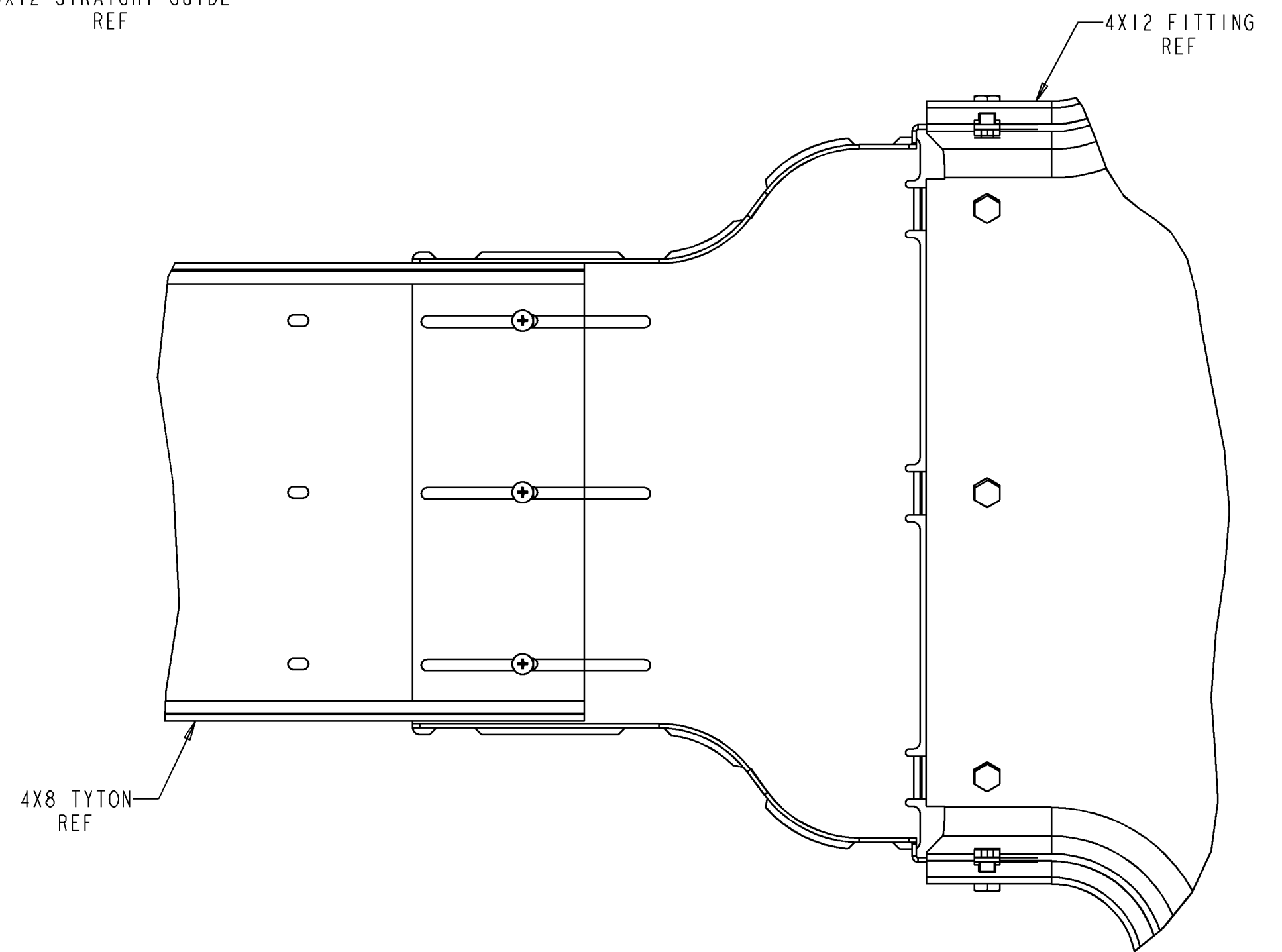
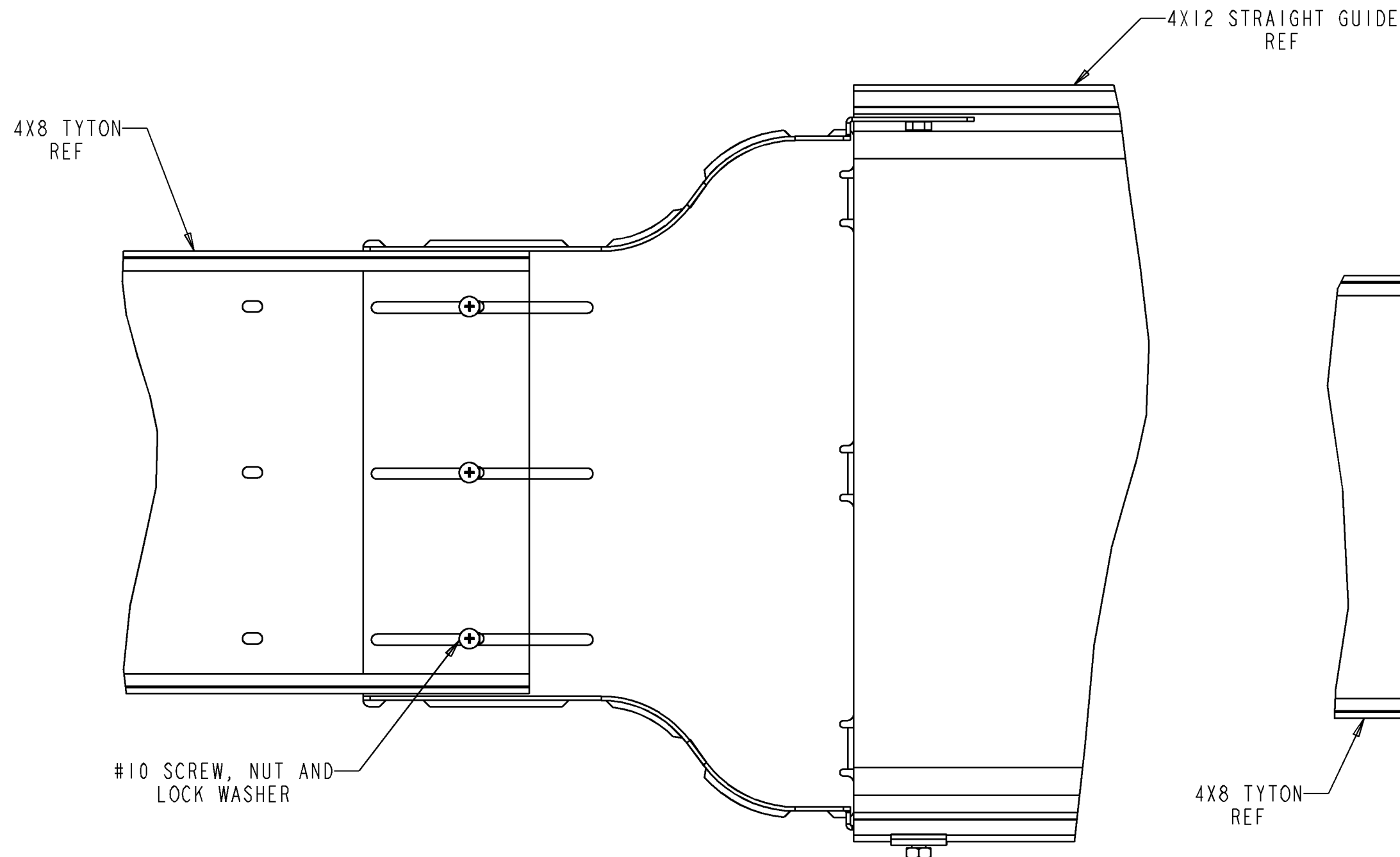
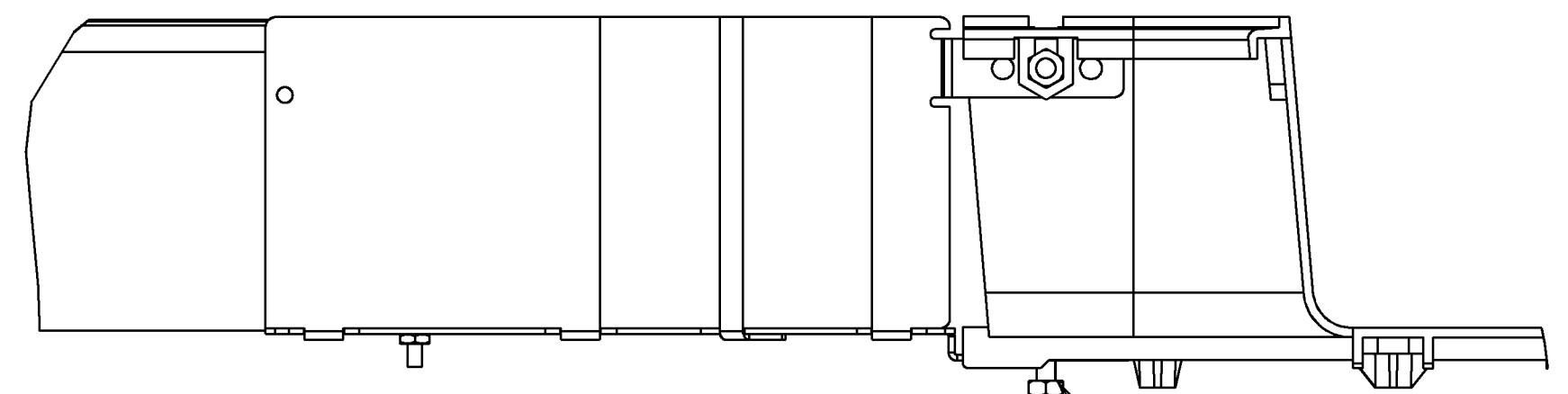


REV	MCO	DWN	DATE
B	20051982	KCC	18-MAY-00
C	20314559	JD	30-NOV-11



VIEW SHOWING ADAPTER ATTACHED TO STRAIGHT GUIDE



VIEW SHOWING ADAPTER ATTACHED TO FITTING

NOTES:

1. PARTS INCLUDED WITH KIT AS FOLLOWS:

- (1) ADAPTER 4X12
- (5) 1/4 BOLT
- (5) 1/4 NUT
- (5) RETAINING WASHER
- (5) FLAT WASHER
- (3) SCREW 10-32
- (3) NUT 10-32
- (3) WASHER #10 LOCK

CATALOG NO: FGS-ACC103



INFORMATION ON THIS DOCUMENT IS PROPRIETARY TO TE CONNECTIVITY AND SHALL NOT BE USED, COPIED, REPRODUCED OR DISCLOSED IN WHOLE OR IN PART WITHOUT WRITTEN CONSENT OF TE CONNECTIVITY.		TITLE 12" FGS-8" TYTON ADPTR INSTALLATION DRAWING	
ALL DIMS AND TOLERANCES ARE INCHES UNLESS OTHERWISE SPECIFIED	.XX:± .02 .XXX:± .010 ANGULAR:± 2°	C SIZE	DRAWING NUMBER 1067687
DO NOT SCALE DRAWING	ENGR: KEVIN HRUBY DWN: CRAIG ZELASKO	SHT. 1 OF 1	

DIMENSIONS IN INCHES
THIRD ANGLE PROJECTION